

# BORMANN® Elite

## FORGE



**BBQ6020**  
084150

**BBQ6030**  
084167

**BBQ6031**  
084174

**BBQ6041**  
084181

EN IT  
EL BG  
SR HR  
HU ES



[WWW.NIKOLAOOTOOLS.COM](http://WWW.NIKOLAOOTOOLS.COM)

SCAN ME



**WARNING**  
**IMPORTANT NOTICE**

1. For safe and proper operation, use only LPG cylinders intended for domestic use which are equipped with a safety valve. Also, you should connect the low pressure regulator 30mbar (not adjustable) with the valve of the bottle and the special hose for LPG appliances taking care that no leak or damage to the circuit occurs.
2. The threads of the pressure regulator are counterclockwise.
3. Never and under no circumstances should you leave the grill unattended.
4. If a lot of flames are created that do not extinguish by themselves, close the gas bottle. If you let the fire burn then there is a possibility that the paint of the grill will burn. Before each warm-up you should have cleaned the fat collector, the heat dissipators (flame tamers) and the rest of the grill from fats, as they can ignite and destroy the grill.
5. Heat dissipators (flame tamers) must be cleaned after each use as well as the fat collection pan by immersing in hot water with dishwashing liquid. Do not scrape surfaces when they have glued fats because their paint breaks down.
6. In the case of extensive creation of flames caused from fats in the heat dissipators (flame tubes) deterioration in porcelain dye might occur.
7. If the model you purchased has cast-off grills, do not pour cold water when it is still hot as it may break.
8. Do not use caustic liquids or cleaning sprays.
9. Read the instructions carefully!
10. Any damage caused by non-compliance with the above or failure to comply with the necessary regular cleaning will not be covered by the warranty.

**ΠΡΟΣΟΧΗ**  
**ΣΗΜΑΝΤΙΚΗ ΣΗΜΕΙΩΣΗ**

1. Για ασφαλή και ορθή λειτουργία χρησιμοποιείτε μόνο φιάλες υγραερίου που προορίζονται για οικιακή χρήση και οι οποίες είναι εξοπλισμένες με βαλβίδα ασφαλείας. Επίσης, στην βάνα της φιάλης θα πρέπει να συνδέσετε τον ρυθμιστή χαμηλής πίεσης 30mbar (όχι ρυθμιζόμενο) και το ειδικό λάστιχο για συσκευές υγραερίου προσέχοντας να μην υπάρχουν διαρροές ή φθορές στο κύκλωμα.
2. Τα σπειρώματα του ρυθμιστή πίεσης είναι αριστερόστροφα.
3. Ποτέ και σε καμία περίπτωση να μην αφήνετε την ψησταριά χωρίς επίβλεψη.
4. Σε περίπτωση που δημιουργηθούν πολλές φλόγες που δεν σβήνουν θα πρέπει να κλείσετε την βάνα της φιάλης υγραερίου. Αν αφήσετε την φωτιά να καίει τότε υπάρχει ενδεχόμενο να καεί η βαφή της ψησταριάς. Επίσης θα πρέπει πριν από κάθε προθέρμανση να έχετε καθαρίσει τον συλλέκτη λίπους, τους διαχύτες θερμότητας (φλογοκρύπτες) και την υπόλοιπη ψησταριά από λίπη, καθώς μπορεί να αναφλεγούν και να καταστρέψουν την ψησταριά.
5. Οι διαχύτες θερμότητας (φλογοκρύπτες) πρέπει να καθαρίζονται μετά από κάθε χρήση καθώς και το ταψί συλλογής λίπους βυθίζοντας σε ζεστό νερό με υγρό πιάτων. Μην ξύνετε τις επιφάνειες όταν έχουν κολλημένα λίπη γιατί χαλάει η βαφή τους.
6. Σε περίπτωση εκτεταμένης φλόγας από λίπη στους διαχύτες θερμότητας (φλογοκρύπτες) μπορεί να προκληθεί αλλοίωση στην βαφή πορσελάνης.
7. Σε περίπτωση που το μοντέλο που αγοράσατε διαθέτει σχάρες από μαντέμι, μην ρίξετε κρύο νερό όταν είναι ακόμα ζεστές καθώς μπορεί να σπάσουν.
8. Μην χρησιμοποιείτε καυστικά υγρά ή σπρέι καθαρισμού.
9. Διαβάστε προσεκτικά τις οδηγίες χρήσης!
10. Τυχόν βλάβες από μη τήρηση των ανωτέρω ή μη τήρηση του απαραίτητου τακτικού καθαρισμού δεν καλύπτονται από την εγγύηση του κατασκευαστή.

## Safety Instructions

Please save this instruction manual for future reference!  
**THIS GAS GRILL IS DESIGNED FOR OUTDOOR USE ONLY!**

**WARNING: FOR A SAFE AND PROPER OPERATION MAKE SURE TO CONNECT A ONE-WAY PRESSURE REGULATOR (NOT INCLUDED).**

### Important:

**READ ALL INSTRUCTIONS AND OPERATIONS BEFORE OPERATING THIS UNIT. FOLLOW ALL STEPS IN ORDER. NEVER ALLOW CHILDREN TO OPERATE THIS UNIT.**

### Warnings:

Use outdoors only.  
 Read the instructions before using the appliance.  
 Accessible parts maybe very hot, keep young children away.  
 Do not move the appliance during use.  
 Turn off the gas supply at the gas cylinder after use.  
 Any modification of the appliance may be dangerous.  
 Parts sealed by the manufacturer or his agent must not be altered by the user. Do not modify the appliance.

### Attention:

Some parts of this appliance become very hot, take special care when children or elderly are present.

### For your safety:

Do not store or use gasoline or methylated fuels or any other flammable vapors and liquids in the vicinity of this or any other appliance.  
 Never light a gas grill with gasoline or comparable fluids!  
 Suggestion: user should not change the assembly that the manufacturer packaged.



Certain Liquid gas dealers may fill liquid gas cylinders for use in the grill beyond cylinder filling capacity. This "Overfilling" may create a dangerous condition. "Overfilling" tanks can build up excess pressure. As a safety device, the tanks pressure relief valve will vent gas vapour to relieve this excess pressure. This vapour is combustible and therefore can be ignited. To reduce this danger, you should take the following safety precautions:

- When you have your tank filled, be sure you tell the supplier to fill it to no more than 80% of its total capacity.
- If you own or use an extra spare tank, or have a disconnected tank, you should never store it near or under the grill unit or heat box, or near any other ignition or heat source.

### Dangers:

If you smell gas:

- Shut off gas to the appliance.
- Extinguish any open flame.
- Open lid.
- If odour continues, keep away from appliance and call your local fire department.

Technical Data				
 2531-26 				
Model	BBQ6020	BBQ6030	BBQ6031	BBQ6041
Basic characteristic	2 burner gas grill (without side burner)	3 burner gas grill (without side burner)	3+1 burner gas grill	4+1 burner gas grill
Dimensions (cm)	L108.5 × W57 × H102	L120.5 × W58.5 × H103.5	L122 × W57 × H112	L132.5 × W57 × H112
Grill surface (cm)	L48 × W42	L60 × W42	L60 × W42	L70.5 × W42
Grill material	Cast iron			
Power	3 kW per burner, total 6 kW	3 kW per burner, total 9 kW	3 kW per burner, 2.5 kW side burner, total 11.5 kW	3 kW per burner, 2.5 kW side burner, total 14.5 kW
Weight (kg)	29	21.5	29	34.5
Specific characteristics	2 side shelves, 2 wheels (BBQ6020, BBQ6030), 4 wheels (BBQ6031, BBQ6041), thermometer on lid, adjustable thermostat, piezo-ignition switch (BBQ6020, BBQ6030), auto piezo-ignition (BBQ6031, BBQ6041), removable grease collector, foldable side shelves (BBQ6020), grill skewer slot (BBQ6031, BBQ6041)			
Regulator and hose	Not included			

**WARNING: NEVER USE THE APPLIANCE WITHOUT A STEADY GAS REGULATOR (30 mbar).**

## Mounting steps

Make sure your grill is assembled properly. Detailed assembly instructions are packed with each grill giving specific assembly procedures for each model. Follow these instructions carefully to ensure the correct and safe assembly of the grill.

**Caution:** Although we take every effort to ensure that the assembly process is as easy as possible, it is inherent with fabricated steel parts that corners and edged can cause cuts if improperly handled during assembly procedures. Be careful while handling any parts during assembly. It is strongly recommended that you protect hands with a pair of work gloves.

### Preparation

You will need LPG gas bottle and proper regulators under the gas pressure to operate this gas grill. The regulators should be comply with EN16129 with current version and national regulation.

See point 6 for further instructions.

Energy saving tips:

- a) Reduce the opening time of the lid.
- b) Turn the grill off as soon as cooking is completed.
- c) Preheat the gas grill for 10 to 15 minutes only. (Except for the first use)
- d) Do not preheat longer then recommended.
- e) Do not use a higher setting than required.
- f) Connect the hose and regulator to the gas container at the left side of the gas grill. Keeping in mind that the gas container must be kept away from heat and in a safe position. The hose dimension is 8-10mm diameter. The Length of hose recommended which shall not exceed 1.5m. The flexible hose should comply with relevant standard and local code.

## Installation

After purchasing your gas cylinder you will then be ready to set it up with your gas grill.

- a) When changing the gas cylinder, it shall be carried out away from any source of ignition. Position the gas cylinder at left side of your gas grill, should not be placed inside BBQ, keeping in mind that the bottle must be kept away from heat and in a safe position.
- b) When ready to use your gas grill insert the regulator into the gas bottle valve and tighten firmly.

**Warning:** Before attempting to light your gas grill you must refer to your lighting instructions and warning / safety points.

Check the hose before each use, searching for cracking, cuts or any abrasions. If the hose is found to be faulty in any way do not attempt to use your gas grill. When changing your gas bottle ensures that there are no sources of ignition close by i.e. fires, cigarettes, naked flames etc. Make sure that the appliance is switched off.

Ensure that the hose is not subjected to twisting which will affect the gas flow when installing your gas grill. Also the hose must not have undue tension and must not touch any part of the gas grill which may be hot.

- Please choose flexible hose whose heatproof higher than 80 °C.
- Flexible tube should be changed every 2 years. It's necessary to change the flexible tube when the national conditions require it.

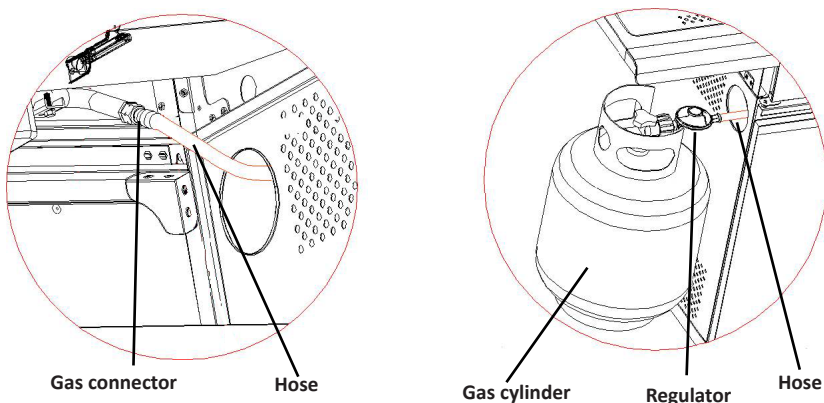
### How to change your cylinder

Note: Turn off the switch of cylinder (No spanner is required)

The height of the gas cylinder is below the 80cm, and the width is within 35cm

### How to connect a gas bottle

- a) Turn the orange cap so that the arrow is pointing to the gap in the shroud.
- b) Remove the orange safety cap by pulling the lanyard out, then out. Do not use tools. Leave the cap hanging.
- c) Check that the black sealing washer is fitted inside the cylinder valve. Connect the regulator to the valve.
- d) Turn the switch clockwise on gas bottle-then turn on the gas grill as instructed.



\*For the product without gas cylinder compartment only.

**Warning:** Always test gas line for leaks at connector with soap water finishing all connections.

### How to disconnect a gas bottle

- Except for twin-cylinder installations with a changeover valve, turn off the gas tap if fitted to the appliance. Wait until the burner and pilot light have gone out. For installations with a changeover valve, it is only necessary to switch off the empty cylinder.
- Replace the orange safety cap onto the empty cylinder.

### Warnings and safety points

Please read the following points before using your gas grill:

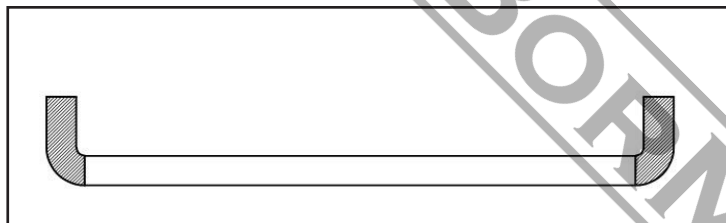
- Read the instructions before using the appliance. If instructions are not followed it may cause problems in use.
- This gas grill accessible parts maybe very hot when being used. Keep young children away. Use protective when handling particularly hot components.
- In the event of a gas leak, Turn off the gas supply at the gas bottle, extinguish any open flames, open lid and if leak continues, check for damages, poor connections etc. Contact your local gas dealer immediately if the problem can't be solved.
- Do not move Gas grill during use.
- Do not use or store any liquids, vapours or other materials in the vicinity when operating the gas grill.
- This gas grill only to be used outdoors.
- Do not use a naked flame to check for gas leaks.
- Do not operate gas grill if there is a gas leak. Turn off the gas supply.
- Do not attempt to disconnect any gas fitting part if your gas grill is being used, on the gas grill or the gas regulator / bottle.
- Care is advised when operating your gas grill, you should never leave unattended when in use. Turn off the gas supply at the gas container after use.
- The gas grill should be cleaned after use. Don't obstruct the fire opening of the container compartment. If the fire opening is obstructed, please use  $\Phi 1.6\text{mm}$  round stick to dredge.

Take care not to enlarge burner ports or orifice/nozzle openings when cleaning the burner or valves.

l) Do not attempt to use this appliance in a garage or any enclosed area. Also this appliance must be keep away from flammable materials during use, etc. We recommend keeping a distance of at least 0.5 to 1.0 meter clear of any flammable materials.

m) We would recommend that this gas grill should be serviced by your local gas retail outlet at least once a year by a competent engineer. Do not attempt to service this appliance yourself.

n) Any modification of the appliance may be dangerous. Do not attempt any unauthorized interference of the main controls on this gas grill, i.e. gas taps, injectors, valves etc.



**Warning: The handle black area (see picture for reference) will become hot when the gas grill is in use, be careful! Do not touch the black area.**

### Safety precautions

- Always test gas line for leaks at connector with soapy water after making connections.
- The top lid must always be open when lighting the burner.
- Use oven gloves and sturdy, long handled gas grill tools when cooking on the grill.
- Be prepared if an accident or fire should occur. Know where the first aid kit and fire extinguishers are and know how to use them.
- Keep any electrical supply cord and the fuel supply hose away from any heated surfaces.
- Always cook with great care.
- Do not heat any unopened glass or metal container of food on the grill. Pressure may build up and cause the container to burst, possibly resulting in serious personal injury or damage to the grill.

### Operating instructions

Caution: The lid must be open when lighting the burner!

Do not stand with your face directly over the gas grill when lighting it.

Your gas grill will have following method of ignition:

Pilot Gas Control Ignition (Main burner or main burner with side burner): With all gas controls on the Gas grill in the "OFF" position "OFF", turn the gas cylinder valve to the on position at the regulator. To create a spark you must press the control knob (A) and hold in this position for 3-5 seconds to allow gas flow and then turn anticlockwise to "HIGH" (B). It can spark to the burner lighting tube (C). You will hear a "snap" from the igniter and you will also see a orange flame coming from the burner lighting tube at the left side of the burner (D).

Continue to hold the burner control knob in for two seconds after the "snap", this will allow gas to flow completely down the burner tube (E) and insure ignition.

When the burner is alight, adjacent burners will cross light when their controls are turned to "HIGH"

At "High" setting the burner flame should be approximately 12-20mm long with a minimum of orange flame. Turn the gas control fully anticlockwise for minimum setting.

Should you have any difficulty lighting your gas grill following the above steps, contact your dealer for advice.

If the automatic ignition can't be used, please remove the cooking grill and heat diffuser(hotplate ), and turn the valve anticlockwise to 90° to light with BBQ lighter in the distance of 5mm to the burner fire hole. Replace the cooking grill and heat diffuser (hotplate), please wear the fireproof and heat resisting gloves.

Warning : If the burner still does not light ,turn the burner control knob to " OFF" and wait 5 minutes to let the gas clear before lighting again.

## Storage

Your Gas Bottle must be stored outdoors in a well ventilated area and must be disconnected from your gas grill when not being used. Ensure that you are outdoors and away from any sources of ignition before attempting to disconnect your gas bottle from your gas grill.

When you are using your gas grill after a period of storage, please ensure to check for gas leaks and check for any obstructions in the burner etc. before using. Also follow the cleaning instructions to ensure gas grill is safe.

If gas grill is stored outdoors ensure to check that all areas under the front panel are free from any obstructions (insects etc.) This area must be kept free as this may affect the flow of combustion or ventilation air.

## Cleaning instructions

Maintenance is recommended that every 90 days for your gas grill, but it is absolutely necessary to perform maintenance at least once a year. By doing so, you will extend the life of your gas grill.

Your gas grill is easy to clean with minimum effort, just follow these helpful hints for cleaning convenience.

Troubleshooting		
Problem	Possible cause	Prevention / Solution
Gas leaking from cracked / cut / burned hose.	Damaged hose.	Turn off gas at LP tank, if hose is cut or cracked, replace hose. See LP tank lead test and connection regulator to the LP.
Gas leaking from LP tank valve.	Mechanical failure due to resting or mishandling.	Turn off LP tank valve.
Gas leaking from LP tank valve.	Failure or tank valve from mishandling or mechanical failure	Turn off LP tank valve. Return LP tank to gas supplier
Gas leaking between LP tank and regulator connection	Improper installation, connection not tight, failure of rubber seal	Turn off LP tank valve, remove regulator from cylinder and visually inspect rubber seal for damage, see LP tank test and connection regulator to the LP tank
Fire coming through control panel	Fire in burner tube section of burner due to partial blockage	Turn off control knobs and LP tank valve.  After fire is out and grill is cold, remove burner and inspect for spider nests or rust see natural hazard and cleaning the burner assembly pages.
Grease fire or excessive flames above cooking surface	Too much grease buildup in burner area.	Turn off LP Tank. Leave lid open to allow flames to die down. After cooling, clean food particles and excess grease from inside firebox area, grease cup/pan/tray, and other surfaces
Burner will not light using igniter.	Gas issues	
	1. Trying to light wrong burner	1. See instructions on control panel and section in the Use and Care.
	2. Burner not engaged with control valve	2. Make sure valve are positioned inside of burner tubes.
	3. Obstruction in burner.	3. Ensure burner tubes are not obstructed with spider webs or other
Burner will not light using igniter.	Electrical issues	
	1. Electrode cracked or broken;" sparks at crack." 2. Electrode tip not in proper position 3. Wire and/or electrode covered with cooking residue. 4. Wires are loose or disconnected 5. Wires are shorting (sparking) between igniter and electrode. 6. Push button sticks at bottom sparking between igniter and electrode	1. Replace electrode. 2. Tip of electrode should be pointing toward port hole in burner. The distance should be 1/8" to 3/16". Adjust if necessary. 3. Clean wire and or electrode with rubbing alcohol and clean swab. 4. Reconnect wires or replace electrode/wire assembly. 5. Replace igniter wire 6. Replace igniter 7. Inspect wire insulation and proper connection. Replace wires if insulation is broken.
Burner will not match light	See "gas issues" above. 2. Improper method of match-lighting	1. See "Pilot Gas Control Ignition" section of use and care.

Sudden drop in gas flow or low flame	1. Grease buildup. 2. Excessive fat in meat. 3. Excessive cooking temperature	1. Clean burners and inside of grill / firebox 2. Trim fat from meat before grilling. 3. Adjust (lower) temperature
Flames blow out	High or gusting winds. Low on LP gas. Excess flow valve tripped.	Turn front of grill to face wind or increase flame height. Refill LP tank. Refer to "sudden drop in gas flow" above.
Persistent grease fire	Grease trapped by food buildup around burner system.	Turn knobs to OFF. Turn gas off at LP tank. Leave lid in position and let fire burn out. After grill cools, remove and clean all parts.
Flashback (fire in burner tube(s))	Burner and burner tubes are blocked	Turn knobs to OFF, clean burner and/or burner tubes. See burner cleaning section of use and care manual
Flare-up	1. Grease buildup. 2. Excessive fat in meat. 3. Excessive cooking temperature	1. Clean burners and inside of grill / firebox 2. Trim fat from meat before grilling. 3. Adjust (lower) temperature
Unable to fill LP tank	Some dealers have older fill nozzles with worn threads.	Turn worn nozzles don't have enough "bite" to engage the valve. Try a second LP dealer.
One burner does not light from other burner(s)	Grease buildup or food particles in end of carryover tube	Clean carry-over tube with wire brush

If your problem is not resolved from the information above, please Contact your local gas dealer.

- a) Turn the burner on for 15 to 20 minutes. Ensure appliance is cold before continuing.
- b) Grids should be cleaned periodically by soaking and washing in soapy water.
- c) The interior surfaces of the grill housing cover should also be washed with hot, soapy water. Use a wire brush, steel wool or a scouring pad to remove stubborn spots.
- d) Periodically check the burner to see that it is free from insects and spiders which may clog the gas system, deflecting gas flow. Ensure to clean venturi pipes on burner very carefully, make sure that there are no obstructions. We recommend that you use a pipe cleaner to clean the venturi pipe area.
- e) Any modifications of this appliance may be dangerous and are not permitted.

#### Gas grill safety hints

Stand your gas grill on a safe level surface, away from inflammable items such as wooden fences or overhanging tree branches. Never use your gas grill indoors!

Once lit do not move your gas grill or leave it unattended.

Keep children and pets at a safe distance from the gas grill.

Keep a fire extinguisher handy.

The gas grill will become hot when in use, so handle lids etc. with the help of gloves.

Ensure that the appliance has completely cooled down before storing.

Use outdoors only!

Read the instructions before using the gas grill.

Accessible parts may be very hot, keep young children away!

Do not move the gas grill during using.

Turn off the gas supply at the gas container after use.

Any modification of the appliance may be dangerous and be not permitted.

Maintenance center: please go to the local dealers for product maintenance.

## Οδηγίες Ασφαλείας

Κρατήστε το εγχειρίδιο χρήσης για μελλοντική αναφορά!

Η ψησταριά υγραερίου είναι σχεδιασμένη για χρήση μόνο σε εξωτερικούς χώρους!

**ΠΡΟΣΟΧΗ: ΓΙΑ ΑΣΦΑΛΗ ΚΑΙ ΟΡΘΗ ΛΕΙΤΟΥΡΓΙΑ ΔΙΑΣΦΑΛΙΣΤΕ ΤΗΝ ΣΥΝΔΕΣΗ ΜΕ ΕΝΑΝ ΡΥΘΜΙΣΤΗ ΠΙΕΣΗΣ ΜΕ ΑΝΤΕΠΙΣΤΡΟΦΗ ΒΑΛΒΙΔΑ (ΔΕΝ ΠΕΡΙΛΑΜΒΑΝΕΤΑΙ)**

### ΣΗΜΑΝΤΙΚΟ:

**ΔΙΑΒΑΣΤΕ ΟΛΕΣ ΤΙΣ ΟΔΗΓΙΕΣ ΚΑΙ ΤΙΣ ΔΙΑΔΙΚΑΣΙΕΣ ΠΡΙΝ ΤΗΝ ΛΕΙΤΟΥΡΓΙΑ ΤΗΣ ΜΟΝΑΔΑΣ. ΑΚΟΛΟΥΘΗΣΤΕ ΟΛΑ ΤΑ ΒΗΜΑΤΑ ΜΕ ΤΗΝ ΣΕΙΡΑ. ΜΗΝ ΑΦΗΝΕΤΕ ΠΟΤΕ ΠΑΙΔΙΑ ΝΑ ΛΕΙΤΟΥΡΓΟΥΝ ΤΗΝ ΜΟΝΑΔΑ.**

### Προειδοποιήσεις

Χρησιμοποιείτε την ψησταριά υγραερίου μόνο σε εξωτερικό χώρο.

Διαβάστε τις οδηγίες πριν χρησιμοποιήσετε την συσκευή.

Προσβάσιμα μέρη της ψησταριάς υγραερίου μπορεί να είναι καυτά, κρατήστε τα παιδιά μακριά.

Μην μετακινείτε την ψησταριά υγραερίου κατά την διάρκεια της χρήσης.

Κλείστε την παροχή υγραερίου στην φιάλη υγραερίου μετά την χρήση.

Κάθε μετατροπή της ψησταριάς υγραερίου μπορεί να καταστεί επικίνδυνη.

Εξαρτήματα τα οποία έχουν σφραγιστεί από τον κατασκευαστή ή προμηθευτή αυτού δεν πρέπει να υφίστανται μετατροπή από τον χρήστη. Μην μετατρέπετε με κανένα απολύτως τρόπο την ψησταριά υγραερίου.

### Προσοχή:

Ορισμένα τμήματα της ψησταριάς μπορεί να γίνουν καυτά, προσέχετε ιδιαίτερως όταν βρίσκονται μαζί σας παιδιά ή άτομα μεγάλης ηλικίας.

Για την ασφάλειά σας:

Μην αποθηκεύετε ή χρησιμοποιείτε βενζίνη ή καύσιμα με μεθανόλη ή άλλα καύσιμα αέρια και υγρά στην περιοχή αυτής της συσκευής ή οποιασδήποτε άλλης συσκευής.

Ποτέ μην λειτουργείτε μην ψησταριά υγραερίου με βενζίνη ή άλλα συγκρίσιμα καύσιμα!

Ο χρήστης δεν πρέπει ποτέ να μεταβάλλει το συγκρότημα το οποίο έχει πακετάρει ο κατασκευαστής.


Ορισμένοι προμηθευτές υγραερίου μπορεί να γεμίσουν φιάλες υγραερίου για χρήση στη ψησταριά υγραερίου πέραν της ικανότητας πλήρωσης των φιαλών. Η "υπερπλήρωση" αυτή μπορεί να δημιουργήσει μια δυνητικά επικίνδυνη κατάσταση καθώς η "υπερπλήρωση" φιαλών να μπορεί να προκαλέσει υπέρμετρη πίεση. Ως διάταξη ασφαλείας, η ανακουφιστική βαλβίδα πίεσης των φιαλών απελευθερώνει αέριο σε μορφή ατμών ώστε να περιορίσει την υπερβολική αυτή πίεση. Το αέριο αυτό είναι εύφλεκτο και επομένως μπορεί ενδεχομένως να αναφλεγεί. Προκειμένου να μειώσετε τον κίνδυνο αυτό, θα πρέπει να λάβετε τις ακόλουθες προφυλάξεις ασφαλείας:

A. Όταν πρέπει να γεμίσετε την φιάλη/τις φιάλες σας, βεβαιωθείτε ότι έχετε ενημερώσει τον προμηθευτή σας να την γεμίσει **με όχι περισσότερο από το 80% της συνολικής χωρητικότητάς της.**

B. Εάν κατέχετε ή χρησιμοποιείτε μια επιπλέον εφεδρική φιάλη, ή διαθέτε μια αποσυνδεδεμένη φιάλη, δεν πρέπει ποτέ να την αποθηκεύετε κοντά ή κάτω από τη ψησταριά ή κοντά σε οποιαδήποτε άλλη πηγή θερμότητας που θα μπορούσε να προκαλέσει ανάφλεξη ή έκρηξη.

Εάν ανιχνεύσετε οσμή υγραερίου:

1. Κλείστε την παροχή αερίου στην συσκευή.
2. Σβήστε οποιαδήποτε ανοικτή φλόγα.
3. Ανοίξτε το καπάκι.
4. Εάν η οσμή εξακολουθεί να υπάρχει, απομακρυνθείτε από την ψησταριά και καλέστε το τοπικό τμήμα πυροσβεστικής.

Τεχνικά χαρακτηριστικά				
 2531-26				
Μοντέλο	BBQ6020	BBQ6030	BBQ6031	BBQ6041
Βασικό χαρακτηριστικό	Ψησταριά υγραερίου με 2 εστίες (χωρίς πλαϊνή εστία)	Ψησταριά υγραερίου με 3 εστίες (χωρίς πλαϊνή εστία)	Ψησταριά υγραερίου με 3 + 1 (πλαϊνή) εστίες	Ψησταριά υγραερίου με 4 + 1 (πλαϊνή) εστίες
Διαστάσεις (cm)	M108,5 × P57 × Y102	M120,5 × P58,5 × Y103,5	M122 × P57 × Y112	M132,5 × P57 × Y112
Επιφάνεια ψησίματος (cm)	M48 × P42	M60 × P42	M60 × P42	M70,5 × P42
Υλικό σχάρας	Μαντέμι			
Θερμική ισχύς	3 kW ανά εστία, συνολική ισχύς 6 kW	3 kW ανά εστία, συνολική ισχύς 9 kW	3 kW ανά εστία, πλαϊνή εστία 2,5 kW, συνολική ισχύς 11,5 kW	3 kW ανά εστία, πλαϊνή εστία 2,5 kW, συνολική ισχύς 14,5 kW
Βάρος (kg)	29	21,5	29	34,5
Ειδικά χαρακτηριστικά	2 πλαϊνά ράφια, 2 τροχοί (BBQ6020, BBQ6030), 4 τροχοί (BBQ6031, BBQ6041), θερμομότρο στο καπάκι, ρυθμιζόμενος θερμοστάτης, πιεζοηλεκτρική ανάφλεξη με διακόπτη (BBQ6020, BBQ6030), αυτόματη πιεζοηλεκτρική ανάφλεξη (BBQ6031, BBQ6041), αποσπώμενο συρτάρι συλλογής λίπους & αφαιρούμενος συλλέκτης λίπους, αναδιπλούμενα πλαϊνά ράφια (BBQ6020), θέση για σούβλα (BBQ6031, BBQ6041)			
Ρυθμιστής και σωλήνας	Δεν περιλαμβάνονται			

**ΠΡΟΣΟΧΗ: ΜΗΝ ΧΡΗΣΙΜΟΠΟΙΕΙΤΕ ΠΟΤΕ ΤΗΝ ΣΥΣΚΕΥΗ ΧΩΡΙΣ ΣΤΑΘΕΡΟ ΡΥΘΜΙΣΤΗ ΥΓΡΑΕΡΙΟΥ (30 mbar).**

## Βήματα συναρμολόγησης

Βεβαιωθείτε ότι η ψησταριά υγραερίου έχει συναρμολογηθεί σωστά. Λεπτομερείς οδηγίες συναρμολόγησης παρέχονται με κάθε ψησταριά οι οποίες περιγράφουν συγκεκριμένες διαδικασίες συναρμολόγησης για κάθε μοντέλο. Ακολουθήστε προσεκτικά αυτές τις οδηγίες ώστε να εξασφαλίσετε τη σωστή και ασφαλή συναρμολόγηση της ψησταριάς υγραερίου. Αν και έχει γίνει κάθε προσπάθεια προκειμένου να εξασφαλιστεί ότι η διαδικασία συναρμολόγησης είναι όσο το δυνατόν απλούστερη, εγγενώς τα κατασκευασμένα τμήματα χάλυβα με γωνίες και ακμές μπορούν ενδεχομένως να προκαλέσουν τραυματισμούς με κακούς χειρισμούς κατά τη διάρκεια των διαδικασιών συναρμολόγησης. Να είστε προσεκτικοί κατά το χειρισμό τυχόν εξαρτημάτων κατά τη διάρκεια της συναρμολόγησης. Συνιστάται ιδιαίτέρως να προστατεύετε τα χέρια σας με ένα ζευγάρι γαντιών εργασίας.

Προετοιμασία: Θα χρειαστείτε φιάλη υγραερίου και τις κατάλληλες ρυθμιστικές βαλβίδες αντεπιστροφής υπό την πίεση του υγραερίου προκειμένου να λειτουργήσετε την ψησταριά υγραερίου. Οι ρυθμιστικές βαλβίδες αντεπιστροφής θα πρέπει να συμμορφώνονται με την τρέχουσα έκδοση του προτύπου EN16129 και τους εθνικούς κανονισμούς.

### Συμβουλές εξοικονόμησης ενέργειας:

- Μειώστε τον χρόνο λειτουργίας με ανοικτό το το καπάκι.
- Σβήστε την ψησταριά υγραερίου μόλις ολοκληρωθεί το ψήσιμο.
- Προθερμάνετε την ψησταριά υγραερίου για 10 έως 15 λεπτά μόνο (εκτός από την πρώτη χρήση).
- Μην προθερμαίνετε περισσότερο από ότι συνιστάται.
- Μην χρησιμοποιείτε υψηλότερη ρύθμιση από την απαιτούμενη.
- Συνδέστε τον σωλήνα και την βαλβίδα αντεπιστροφής στην φιάλη υγραερίου στην αριστερή πλευρά της ψησταριάς, λαμβάνοντας υπόψη ότι η φιάλη υγραερίου πρέπει να φυλάσσεται μακριά από θερμότητα και να βρίσκεται σε ασφαλή σχετικά θέση. Η διάμετρος σωλήνα είναι 8 - 10mm. Το συνιστώμενο μήκος του εύκαμπτου σωλήνα δεν πρέπει να υπερβαίνει το 1,5 m. Ο εύκαμπτος σωλήνας θα πρέπει να συμμορφώνεται με τους σχετικούς τυποποιημένους και εγχώριους κανονισμούς.

## Εγκατάσταση

Αφού αγοράσετε την φιάλη αερίου μπορείτε να την τοποθετήσετε στην ψησταριά αερίου.

- Κατά την αντικατάσταση της φιάλης αερίου, η αντικαθιστώμενη φιάλη πρέπει να μεταφέρεται μακριά από οποιαδήποτε πηγή θερμότητας ή σημείο που μπορεί να προκαλέσει ανάφλεξη. Τοποθετήστε την νέα φιάλη αερίου στην αριστερή πλευρά της ψησταριάς, λαμβάνοντας υπόψη δεν πρέπει να τοποθετηθεί εντός του BBQ, η φιάλη πρέπει να κρατηθεί όσο το δυνατόν μακριά από θερμότητα και σε ασφαλή θέση.
- Όταν είστε έτοιμοι να χρησιμοποιήσετε την ψησταριά υγραερίου τοποθετήστε την βαλβίδα αντεπιστροφής και συσφίξτε προς σταθεροποίηση αυτής.

Προειδοποίηση: Πριν επιχειρήσετε να ανάψετε την ψησταριά, ανατρέξτε με προσοχή τις οδηγίες και στα σημεία προειδοποίησης και ασφάλειας.

Ελέγξτε τον εύκαμπο σωλήνα πριν από κάθε χρήση, ψάχνοντας για επιφανειακές ρωγμές, κοψίματα ή τυχόν εκδορές. Εάν διαπιστωθεί ότι ο εύκαμπτος σωλήνας είναι ελαττωματικός με οποιονδήποτε τρόπο, μην επιχειρήσετε να χρησιμοποιήσετε την ψησταριά υγραερίου. Κατά την αντικατάσταση της φιάλης αερίου βεβαιωθείτε ότι δεν υπάρχουν πηγές ανάφλεξης κοντά, π.χ. φωτιά, τσιγάρα, φλόγα κλπ. Βεβαιωθείτε ότι η συσκευή είναι απενεργοποιημένη. Βεβαιωθείτε ότι ο εύκαμπτος σωλήνας δεν υποβάλλεται σε συστολή που θα επηρεάσει τη ροή του αερίου κατά την εγκατάσταση της ψησταριάς. Επίσης, ο εύκαμπτος σωλήνας δεν πρέπει να υφίσταται αδικαιολόγητη τάση και δεν πρέπει να αγγίζει κανείς κανένα τμήμα της ψησταριάς αερίου που μπορεί να είναι καυτό.

- Επιλέξτε πυρίμαχο εύκαμπο σωλήνα που να αντέχει σε θερμοκρασίες άνω των 80 βαθμών κελσίου.
- Ο εύκαμπτος σωλήνας πρέπει να αντικαθίσταται κάθε 2 έτη. Είναι απαραίτητο να προβαίνετε σε αντικατάσταση του εύκαμπτου σωλήνα (γνωστού και ως λάστιχου αερίου) όταν το απαιτούν οι εθνικοί κανονισμοί και η αντίστοιχη νομοθεσία.

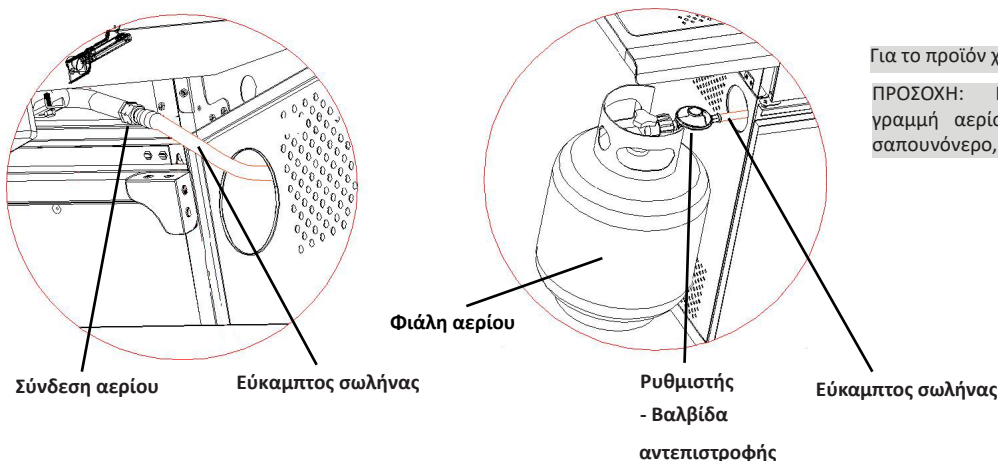
### Αντικατάσταση φιάλης

Κλείστε τον διακόπτη της φιάλης (δεν απαιτείται κλειδί σύσφιξης)

Το ύψος της φιάλης αερίου ανέρχεται σε λιγότερο από 80 cm, και το πλάτος εντός 35 cm.

### Σύνδεση νέας φιάλης αερίου

- Γυρίστε το πορτοκαλί καπάκι έτσι ώστε το βέλος δείχνει προς το κενό στο κάλυμμα.
- Αφαιρέστε το πορτοκαλί καπάκι ασφαλείας τραβώντας το κορδόνι προς τα έξω. Μην χρησιμοποιείτε εργαλεία. Αφήστε το καπάκι να κρέμεται.
- Ελέγξτε ότι η μαύρη ροδέλα σφράγισης είναι τοποθετημένη μέσα στη βαλβίδα φιάλης. Συνδέστε τον ρυθμιστή στην βαλβίδα.
- Γυρίστε το διακόπτη δεξιόστροφα στη φιάλη αερίου και ανάψτε τη ψησταριά αερίου σύμφωνα με τις οδηγίες.



Για το προϊόν χωρίς το τμήμα φιάλης αερίου μόνο

**ΠΡΟΣΟΧΗ:** Πάντοτε να ελέγχετε την γραμμή αερίου για διαρροές σύνδεσης με σαπουνόνερο, εξετάζοντας όλες τις συνδέσεις.

### Πώς να αποσυνδέσετε μια φιάλη αερίου

α. Με εξαίρεση την περίπτωση εγκαταστάσεων δύο φιαλών με μια βαλβίδα αλλαγής, κλείστε τη παροχέτευση αερίου εάν είναι τοποθετημένη στη συσκευή. Περιμένετε μέχρι να σβήσει ο καυστήρας και η πιλοτική φλόγα στο αντίστοιχο εξάρτημα. Για εγκαταστάσεις με βαλβίδα αλλαγής, είναι απαραίτητο μόνο να κλείσετε την άδεια φιάλη.

β. Τοποθετήστε το πορτοκαλί καπάκι ασφαλείας στην άδεια φιάλη.

### Προειδοποιήσεις και θέματα ασφαλείας

Παρακαλούμε διαβάστε τα ακόλουθα σημεία πριν χρησιμοποιήσετε την ψησταριά υγραερίου:

α. Διαβάστε τις οδηγίες πριν χρησιμοποιήσετε την συσκευή αυτή. Εάν δεν ακολουθούνται οι οδηγίες, μπορεί να δημιουργηθούν προβλήματα κατά την χρήση.

β. Τα προσβάσιμα μέρη της ψησταριάς ίσως γίνουν καυτά όταν χρησιμοποιείται. Κρατήστε τα μικρά παιδιά μακριά. Χρησιμοποιείτε αντίστοιχη προστασία όταν χειρίζεστε ιδιαίτερος καυτά εξαρτήματα.

γ. Σε περίπτωση διαρροής αερίου, απενεργοποιήστε την παροχή αερίου στη φιάλη αερίου, σβήστε τυχόν φλόγες, ανοίξτε το καπάκι και αν συνεχιστεί η διαρροή, ελέγξτε για φθορές, κακές συνδέσεις κ.α. Επικοινωνήστε αμέσως με τον αρμόδιο τεχνικό εάν το πρόβλημα δεν μπορεί να επιλυθεί άμεσα.

δ. Μην μετακινείτε τη ψησταριά υγραερίου κατά τη χρήση.

ε. Μην χρησιμοποιείτε ή αποθηκεύετε υγρά, αέρια ή άλλα υλικά στην περιοχή λειτουργίας της ψησταριάς υγραερίου.

στ. Η ψησταριά υγραερίου μπορεί να χρησιμοποιηθεί μόνο σε εξωτερικούς χώρους.

ζ. Μην χρησιμοποιείτε γυμνή φλόγα προκειμένου να ελέγξετε για τυχόν διαρροές υγραερίου.

η. Μην χρησιμοποιείτε την ψησταριά υγραερίου σε περίπτωση διαρροής υγραερίου. Κλείστε την παροχή υγραερίου.

θ. Μην επιχειρήσετε να αποσυνδέσετε οποιοδήποτε εξάρτημα υγραερίου εάν η ψησταριά υγραερίου βρίσκεται σε λειτουργία ή αντίστοιχως τον ρυθμιστή αερίου / φιάλη.

ι) Συνιστάται προσοχή κατά τη λειτουργία της ψησταριάς υγραερίου, δεν πρέπει ποτέ να την αφήνετε χωρίς επίβλεψη όταν την χρησιμοποιείτε.

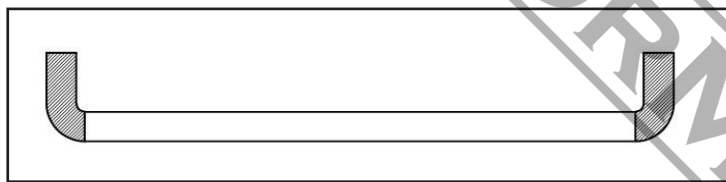
Απενεργοποιήστε την παροχή αερίου στο δοχείο αερίου μετά τη χρήση.

ια) Η ψησταριά υγραερίου πρέπει να καθαρίζεται μετά τη χρήση. Προσέξτε να μην μεγεθύνετε τις θύρες καυστήρα ή τα ανοίγματα ακροφυσίων κατά τον καθαρισμό του καυστήρα ή των βαλβίδων.

ιβ) Μην επιχειρήσετε να χρησιμοποιήσετε αυτή τη συσκευή σε γκαράζ ή σε οποιοδήποτε κλειστό χώρο. Επίσης, αυτή η συσκευή πρέπει να φυλάσσεται μακριά από εύφλεκτα υλικά κατά τη χρήση της. Συνιστούμε να διατηρείτε απόσταση τουλάχιστον 0,5 έως 1,0 μέτρο από τυχόν εύφλεκτα υλικά.

ιγ) Συνιστάται τακτικό σέρβις τουλάχιστον μία φορά το χρόνο από έναν αρμόδιο τεχνικό. Μην επιχειρήσετε να κάνετε σέρβις στην ψησταριά μόνοι σας.

ιδ) Οποιαδήποτε μετατροπή της συσκευής μπορεί να καταστεί επικίνδυνη. Μην επιχειρήσετε καμία μη εξουσιοδοτημένη παρέμβαση στους κύριους μηχανισμούς ελέγχου της ψησταριάς αυτής, π.χ. καλύμματα αερίου, εγχυτήρες, βαλβίδες και τα λοιπά.



**ΠΡΟΣΟΧΗ:** Η ΣΚΟΥΡΑ ΕΠΙΦΑΝΕΙΑ ΤΗΣ ΛΑΒΗΣ (δείτε την διπλανή φωτογραφία) θα γίνει καυτή όταν η ψησταριά υγραερίου τεθεί σε χρήση. Μην ακουμπάτε τις συγκεκριμένες περιοχές της λαβής.

### Προφυλάξεις ασφαλείας

α. Πάντοτε να εξετάζετε τη γραμμή αερίου για διαρροές στα σημεία σύνδεσης με σαπωνώδες νερό αφού πραγματοποιήσετε τις συνδέσεις.

β. Το άνω καπάκι πρέπει πάντα να είναι ανοιχτό όταν ανάβετε την εστία.

γ. Χρησιμοποιήστε γάντια φούρνου και ανθεκτικά, επιμήκη εργαλεία χειρισμού ψησταριάς από απόσταση κατά το ψήσιμο στη σχάρα.

δ. Να είστε προετοιμασμένοι για περίπτωση ατυχήματος ή πυρκαγιάς. Να γνωρίζετε πού είναι το κουτί πρώτων βοηθειών και οι πυροσβεστήρες και να ξέρετε πώς να τα χρησιμοποιήσετε εάν χρειαστεί.

ε. Κρατήστε κάθε καλώδιο ηλεκτρικής τροφοδοσίας και το σωλήνα τροφοδοσίας καυσίμου μακριά από τυχόν θερμαινόμενες επιφάνειες.

στ. Πάντα να χειρίζεστε την ψησταριά κατά την διάρκεια του ψήσιματος με μεγάλη προσοχή.

ζ. Μην θερμαίνετε οποιοδήποτε μη ανοιγμένο γυάλινο ή μεταλλικό δοχείο φαγητού στη σχάρα καθώς η πίεση εντός του μπορεί να αυξηθεί υπέρμετρα και να προκαλέσει την έκρηξη του δοχείου, με ενδεχόμενο αποτέλεσμα έναν σοβαρό τραυματισμό ή το λιγότερο βλάβη στη σχάρα.

η. Μην στέκεστε με το πρόσωπό σας ακριβώς πάνω από την ψησταριά υγραερίου όταν την ανάβετε.

### Οδηγίες Λειτουργίας

Η ψησταριά αερίου έχει την ακόλουθη μέθοδο έναυσης: Με όλα τα κομβία της ψησταριάς υγραερίου στη θέση "OFF", γυρίστε τη βαλβίδα της φιάλης υγραερίου στη θέση ενεργοποίησης "ON". Για να δημιουργήσετε σπινθήρα, πρέπει να πιέσετε το κομβίο ελέγχου (A) και να το κρατήσετε σε αυτή τη θέση για 3-5 δευτερόλεπτα ώστε να επιτρέψετε να λάβει χώρα ροή του υγραερίου και ακολούθως στρίψτε αριστερόστροφα σε ρύθμιση ισχύος "ΥΨΗΛΗ/HIGH" (B). Μπορεί να προκληθεί σπινθήρας στον σωλήνα έναυσης της εστίας (C). Θα ακούσετε έναν χαρακτηριστικό ήχο από τον αναφλεκτήρα και θα δείτε επίσης μια πορτοκαλί φλόγα να πηγάζει από τον σωλήνα έναυσης της εστίας στην αριστερή πλευρά της εστίας (D). Συνεχίστε να πατάτε το κομβίο ελέγχου της εστίας προς τα κάτω / μέσα για δύο δευτερόλεπτα αφού ακούσετε τον χαρακτηριστικό ήχο, ενέργεια που θα επιτρέψει στο υγραέριο να ρεύσει εντελώς προς το κάτω μέρος του σωλήνα της εστίας (E) και συνεπώς να διασφαλιστεί η έναυση. Όταν μια εστία είναι αναμμένη, η φλόγα παρακείμενων εστιών μπορεί να αναμειχθεί με την προκύπτουσα φλόγα στην εστία αυτή εάν βρίσκονται σε ρύθμιση "ΥΨΗΛΗ/HIGH". Στην ρύθμιση "ΥΨΗΛΗ/HIGH" η φλόγα της εστίας θα πρέπει να έχει μήκος περίπου 12-20 mm με ένα ελάχιστο ύψος πορτοκαλί φλόγας. Στρίψτε το κομβίο ελέγχου υγραερίου πλήρως αριστερόστροφα για μια ρύθμιση στο ελάχιστο. Σε περίπτωση που παρουσιαστεί οποιαδήποτε δυσκολία με το άναμμα της ψησταριάς υγραερίου και εφόσον έχετε ακολουθήσει τα παραπάνω βήματα, επικοινωνήστε με τον αντιπρόσωπό σας για περαιτέρω συμβουλές.

Εάν η αυτόματη έναυση δεν μπορεί να χρησιμοποιηθεί, αφαιρέστε την ψησταριά και τον διαχύτη θερμότητας (εστία), και στρίψτε τη βαλβίδα αριστερόστροφα στους 90°C ώστε να ανάψει με το αναφλεκτήρα BBQ σε απόσταση 5 mm από την εστία καύσης. Αντικαταστήστε την ψησταριά και το διαχύτη θερμότητας (εστία) φορώντας υποχρεωτικά πυρίμαχα και ανθεκτικά στη θερμότητα γάντια.

**ΠΡΟΣΟΧΗ:** Εάν η εστία εξακολουθεί να μην ανάβει, στρίψτε το κομβίου ελέγχου της εστίας στην θέση "OFF" και περιμένετε 5 λεπτά προκειμένου να αφήσετε να καθαρίσει από υγραέριο πριν προσπαθήσετε εκ νέου.

## Αποθήκευση

Η φιάλη αερίου πρέπει να φυλάσσεται σε καλά αεριζόμενους χώρους και πρέπει να αποσυνδέεται από την ψησταριά υγραερίου όταν δεν χρησιμοποιείται. Βεβαιωθείτε ότι βρίσκεστε σε εξωτερικό χώρο και μακριά από οποιοδήποτε πηγές ανάφλεξης πριν επιχειρήσετε να αποσυνδέσετε τη φιάλη αερίου από την ψησταριά υγραερίου. Όταν χρησιμοποιείτε την ψησταριά υγραερίου μετά από μια περίοδο αποθήκευσής της, βεβαιωθείτε ότι έχετε πραγματοποιήσει έλεγχο για διαρροές και ελέγξτε για τυχόν εμπόδια στις εστίες κ.λπ. Επίσης, ακολουθήστε τις οδηγίες καθαρισμού προκειμένου να βεβαιώνεται ότι η ψησταριά υγραερίου είναι ασφαλής. Εάν η ψησταριά υγραερίου αποθηκεύεται σε εξωτερικούς χώρους, βεβαιωθείτε ότι όλοι οι χώροι κάτω από το μπροστινό πλαίσιο είναι απαλλαγμένοι από τυχόν εμπόδια. Η περιοχή αυτή πρέπει να διατηρείται ελεύθερη, καθώς κάθε παρεμπόδιση στο σημείο αυτό μπορεί να επηρεάσει τη ροή του αέρα καύσης ή εξερισμού.

## Οδηγίες καθαρισμού

Συνιστάται συντήρηση κάθε 90 μέρες για την ψησταριά υγραερίου αλλά είναι απολύτως απαραίτητο να την συντηρείτε μια φορά τον χρόνο. Συντηρώντας την ψησταριά σύμφωνα με ό,τι προβλέπεται θα αυξηθεί η διάρκεια ζωής της. Η ψησταριά μπορεί να καθαριστεί εύκολα και με ελάχιστη προσπάθεια, αρκεί να ακολουθήσετε τις τυπικές καθαρισμού.

Επίλυση αναδυόμενων προβλημάτων		
Πρόβλημα	Πιθανή αιτία	Αποτροπή / Επίλυση προβλήματος
Διαρροή υγραερίου από θραυσμένο, κομμένο, καμμένο εύκαμπτο σωλήνα.	Κατεστραμμένος εύκαμπτος σωλήνας.	Κλείστε την παροχή υγραερίου στη φιάλη εάν ο εύκαμπτος σωλήνας είναι κομμένος ή έχει υποστεί ρωγμές και αντικαταστήστε τον εύκαμπτο σωλήνα. Εξετάστε τη σύνδεση του ρυθμιστή (βαλβίδα).
Διαρροή υγραερίου από την φιάλη.	Μηχανική αστοχία λόγω κακού χειρισμού ή αδράνειας.	Κλείστε την βαλβίδα της φιάλης.
Διαρροή υγραερίου από την βαλβίδα φιάλης.	Αστοχία, κακός χειρισμός βαλβίδας φιάλης ή μηχανική αστοχία.	Κλείστε την βαλβίδα της φιάλης. Επιστρέψτε την φιάλη στον προμηθευτή.
Διαρροή υγραερίου μεταξύ της φιάλης υγραερίου και της σύνδεσης ρυθμιστή.	Κακή εγκατάσταση, χαλαρή σύνδεση, αστοχία στεγανοποιητικής διάταξης.	Κλείστε την βαλβίδα της φιάλης, αφαιρέστε τον ρυθμιστή από την φιάλη και ελέγξτε οπτικά την στεγανοποιητική διάταξη για τυχόν ζημιά.
Φωτιά εξέρχεται από τον πίνακα ελέγχου/ χειριστήριο.	Φωτιά στο τμήμα φλογοσωλήνων της ψησταριάς λόγω εν μέρει φραξίματος	Γυρίστε τα κομβία στην θέση off και στρέψτε την βαλβίδα της φιάλης στην θέση κλεισίματος. Αφού σβήσει η φωτιά και η ψησταριά κρυώσει, αφαιρέστε την εστία/τις εστίες και ελέγξτε για την ύπαρξη ιστών/φωλιάς αράχνης ή σκουριάς και λάβετε μέτρα αφαίρεσης αυτών.
Φωτιά στο γράσο ή μεγάλες φλόγες πάνω από την επιφάνεια ψησίματος.	Υπερβολική συγκέντρωση γράσου στα σημεία εστιών/εστίας.	Κλείστε την φιάλη. Αφήστε το καπάκι ανοικτό ώστε να εξασθενήσουν σταδιακά οι φλόγες και τελικά να σβήσουν. Αφού κρυώσει η συσκευή καθαρίστε από συσσωματώματα τροφής και υπέρμετρη ποσότητα γράσου από όλες τις επιφάνειες.
Η εστία δεν ανάβει με την χρήση του αναφλεκτήρα.	Μηχανικά Αίτια (σχετικά με το υγραέριο).	
	1. Προσπαθείτε να ανάψετε λάθος εστία.	1. Δείτε τις οδηγίες στον πίνακα ελέγχου (χειριστήριο).
	2. Η εστία δεν συνεργάζεται με την βαλβίδα ελέγχου.	2. Βεβαιωθείτε ότι οι βαλβίδες είναι τοποθετημένες εντός των φλογοσωλήνων.
	3. Εμπόδιο στην εστία.	3. Βεβαιωθείτε ότι οι φλογοσωλήνες δεν εμποδίζονται από ιστούς αράχνης ή άλλο τυχόν εμπόδιο.
	4. Δεν υπάρχει ροή υγραερίου.	4. Βεβαιωθείτε ότι η φιάλη υγραερίου δεν έχει αδειάσει. Εάν η φιάλη υγραερίου δεν είναι άδεια, εξετάστε για ξαφνική πτώση πίεσης στην ροή του υγραερίου.
Η εστία δεν ανάβει με την χρήση αναφλεκτήρα.	Ηλεκτρικά Αίτια	
	1. Σπασμένο ηλεκτρόδιο, ρωγμή στο ηλεκτρόδιο, σπινθήρες στο σημείο θραύσης. 2. Το άκρο ηλεκτροδίου δεν είναι τοποθετημένο στην κατάλληλη θέση. 3. Καλώδιο ή/και ηλεκτρόδιο καλυμμένο με υπολείμματα μαγειρικής. 4. Τα καλώδια έχουν χαλαρή σύνδεση ή είναι αποσυνδεδεμένα. 5. Το καλώδιο βραχυκυκλώνεται (σπινθηρίζει) μεταξύ του αναφλεκτήρα και του ηλεκτροδίου. 6. Το κομβίο πίεσης κολλάει στην κάτω θέση δημιουργώντας σπινθήρα μεταξύ αναφλεκτήρα και ηλεκτροδίου.	1. Αντικαταστήστε το ηλεκτρόδιο. 2. Το άκρο του ηλεκτροδίου θα πρέπει να κατευθύνεται προς την οπή θύρας στην εστία. Η απόσταση θα πρέπει να είναι 1/8" to 3/16". 3. Καθαρίστε το καλώδιο ή το ηλεκτρόδιο με οινόπνευμα και καθαρό πανάκι. 4. Επανασυνδέστε τα καλώδια ή αντικαταστήστε το συγκρότημα ηλεκτροδίου/καλωδίου. 5. Αντικαταστήστε το καλώδιο αναφλεκτήρα. 6. Αντικαταστήστε τον αναφλεκτήρα και επιθεωρήστε την μόνωση του καλωδίου τις συνδέσεις. Αντικαταστήστε τα καλώδια εάν έχει φθαρεί η μόνωση.

Η εστία δεν ανάβει.	1. Δείτε τα ζητήματα περί υγραερίου στην προηγούμενη σελίδα. 2. Ακατάλληλη μέθοδος έναυσης.	1. Δείτε στο κεφάλαιο χρήσης και φροντίδα το αντίστοιχο εδάφιο "Έλεγχος έναυσης υγραερίου".
Ξαφνική πτώση της ροής υγραερίου ή χαμηλή φλόγα.	1. Υψηλή συγκέντρωση γράσου/λιπαντικού. 2. Υπερβολική ποσότητα λίπους στο κρέας. 3. Υπερβολική θερμοκρασία ψησίματος.	1. Καθαρίστε τις εστίες και το εσωτερικό της ψησταριάς. 2. Περιορίστε το λίπος του κρέατος πριν το ψήσιμο. 3. Μειώστε την θερμοκρασία ψησίματος.
Οι φλόγες ξεφεύγουν από τα συνήθη όρια τους.	1. Δυνατός άνεμος. 2. Χαμηλώστε την παροχή υγραερίου. 3. Απελευθέρωση βαλβίδας έγχυσης περισσειας ροής.	1. Γυρίστε την ψησταριά προς τον άνεμο ή αυξήστε το ύψος φλόγας. 2. Γεμίστε ξανά την φιάλη υγραερίου. 3. Δείτε την ως άνω περίπτωση "απότομη πτώση ροής υγραερίου".
Επίμονη φωτιά λόγω λίπους.	Λίπος έχει παγιδευτεί λόγω υπερσυγκέντρωσης τροφής περί του συστήματος καύσης.	Γυρίστε τα κομβία στην θέση OFF. Κλείστε την παροχή υγραερίου στην φιάλη. Αφήστε το καπάκι στην θέση του αφήστε την φωτιά να σβήσει μόνη της. Όταν κρυώσει η ψησταριά, αφαιρέστε το λίπος και καθαρίστε τα αντίστοιχα τμήματα όπως απαιτείται.
Αναστροφή φλόγας / Φωτιά στους φλογοσωλήνες.	Η εστία και οι φλογοσωλήνες έχουν μπλοκάρει.	Γυρίστε τα κομβία στην θέση OFF, καθαρίστε την εστία και/ή του φλογοσωλήνες. Δείτε επιπροσθέτως το σχετικό εδάφιο περί καθαρισμού.

Εάν το όποιο τυχόν αναδυόμενο τεχνικό πρόβλημα δεν επιλυθεί με τη συνδρομή των ως άνω πληροφοριών, επικοινωνήστε με τον τοπικό προμηθευτή/ αρμόδιο τεχνικό αντιπρόσωπο.

- α. Ενεργοποιήστε την/τις εστίες για 15 έως 20 λεπτά. Βεβαιωθείτε ότι η συσκευή δεν καίει υπερβολικά πριν συνεχίσετε.
- β. Οι σχάρες πρέπει να καθαρίζονται περιοδικά με εμβάπτιση και πλύσιμο σε σαπουνόνερο.
- γ. Οι εσωτερικές επιφάνειες του καλύμματος της ψησταριάς πρέπει επίσης να πλένονται με ζεστό σαπουνόνερο. Χρησιμοποιήστε συρματόβουρτσα, ασαλόδουρμα ή σφουγγάρι λείανσης προκειμένου να αφαιρέσετε τα σημεία με επίμονες ακαθαρσίες.
- δ. Ελέγχετε περιοδικά την εστία προκειμένου να διασφαλίζετε ότι δεν υπάρχουν έντομα ή αράχνες τα οποία μπορεί να φράξουν το σύστημα υγραερίου, εκτρέποντας τη ροή του υγραερίου. Βεβαιωθείτε ότι έχετε καθαρίσει τους σωλήνες venturi στην εστία ιδιαίτέρως προσεκτικά και διασφαλίστε ότι δεν υπάρχουν εμπόδια. Σας συνιστούμε να χρησιμοποιήσετε ένα εργαλείο καθαρισμού σωλήνων προκειμένου να καθαρίσετε τους σωλήνες venturi.
- ε. Οποιοσδήποτε μετατροπές της συσκευής αυτής μπορεί ενδεχομένως να καταστούν επικίνδυνες και δεν επιτρέπονται σε καμία περίπτωση.

#### Συμβουλές ασφαλείας για την ψησταριά υγραερίου

Τοποθετήστε την ψησταριά υγραερίου σε μια ασφαλή επίπεδη επιφάνεια, μακριά από εύφλεκτα στοιχεία, όπως ξύλινοι φράκτες ή προεξέχοντα κλαδιά δέντρων.

Μην χρησιμοποιείτε ποτέ την ψησταριά υγραερίου σε εσωτερικό χώρο.

Μόλις ανάψει η ψησταριά, μην την μετακινείτε και μην την αφήνετε χωρίς στοιχειώδη επίβλεψη.

Κρατήστε τα παιδιά και τα κατοικίδια ζώα σε ασφαλή απόσταση από την ψησταριά υγραερίου.

Να έχετε έναν πυροσβεστήρα σε ετοιμότητα.

Η ψησταριά υγραερίου γίνεται καυτή όταν χρησιμοποιείται, συνεπώς πρέπει να φοράτε γάντια όταν χειρίζεστε τα καπάκια.

Βεβαιωθείτε ότι η ψησταριά υγραερίου έχει κρυώσει εντελώς πριν την αποθηκεύσετε.

Η χρήση προβλέπεται μόνο σε εξωτερικούς χώρους!

Διαβάστε τις οδηγίες πριν χρησιμοποιήσετε την ψησταριά υγραερίου.

Συγκεκριμένα τμήματα της ψησταριάς υγραερίου μπορεί να καταστούν ιδιαίτερος καυτά.

Κρατήστε τα μικρά παιδιά μακριά!

Μην μετακινείτε τη ψησταριά υγραερίου κατά τη χρήση.

Απενεργοποιήστε την παροχή υγραερίου στη φιάλη μετά τη χρήση.

Οποιαδήποτε μετατροπή της συσκευής μπορεί να είναι επικίνδυνη και ως εκ τούτου δεν επιτρέπεται.

Συντήρηση/Service: Για κάθε εργασίες συντήρησης/service, επικοινωνήστε με τον τοπικό προμηθευτή.

**ATTENZIONE**  
**AVVISO IMPORTANTE**

1. Per un funzionamento sicuro e corretto, utilizzare solo bombole di GPL per uso domestico dotate di valvola di sicurezza. Inoltre, è necessario collegare il regolatore di bassa pressione 30mbar (non regolabile) con la valvola della bombola e il tubo speciale per apparecchi a GPL, facendo attenzione che non si verifichino perdite o danni al circuito.
2. Le filettature del regolatore di pressione sono in senso antiorario.
3. Non lasciare mai e in nessun caso la griglia incustodita.
4. Se si formano molte fiamme che non si spengono da sole, chiudere la bombola del gas. Se si lascia bruciare il fuoco, è possibile che la vernice della griglia si bruci. Prima di ogni riscaldamento è necessario pulire il raccoglitore di grasso, i dissipatori di calore (domatori di fiamma) e il resto della griglia dai grassi, poiché possono incendiarsi e distruggere la griglia.
5. I dissipatori di calore (domatori di fiamme) devono essere puliti dopo ogni utilizzo, così come la vaschetta di raccolta del grasso, immergendola in acqua calda con detersivo per piatti. Non raschiare le superfici su cui sono stati incollati i grassi perché la loro vernice si rompe.
6. In caso di creazione di fiamme estese causate da grassi nei dissipatori di calore (tubi di fiamma), potrebbe verificarsi un deterioramento della tintura porcellanata.
7. Se il modello acquistato è dotato di griglie smontate, non versare acqua fredda quando sono ancora calde, perché potrebbero rompersi.
8. Non utilizzare liquidi caustici o spray detergenti.
9. Leggere attentamente le istruzioni!
10. Eventuali danni causati dall'inosservanza di quanto sopra o dal mancato rispetto della necessaria pulizia periodica non saranno coperti dalla garanzia.

**ПРЕДУПРЕЖДЕНИЕ**  
**ВАЖНО ИЗВЕСТИЕ**

1. За безопасна и правилна работа използвайте само бутилки за втечен газ, предназначени за домашна употреба, които са оборудвани с предпазен клапан. Също така, трябва да свържете регулатора за ниско налягане 30mbar (нерегулируем) с вентила на бутилката и специалния маркуч за уреди за втечен нефтен газ, като внимавате да не се получи теч или повреда на веригата.
2. Резбата на регулатора на налягането е в посока, обратна на часовниковата стрелка.
3. Никога и при никакви обстоятелства не оставяйте грила без надзор.
4. Ако се появят много пламъци, които не изгасват сами, затворете газовата бутилка. Ако оставите огъня да се разгори, има вероятност боята на скарата да изгори. Преди всяко затопляне трябва да сте почистили колектора за мазнини, топлоразсейвателите (укротителите на пламъка) и останалата част на грила от мазнини, тъй като те могат да се възпламенят и да унищожат грила.
5. Топлинните разсейватели (укротители на пламъка) трябва да се почистват след всяка употреба, както и съда за събиране на мазнини, като се потапят в гореща вода с течност за миене на съдове. Не остъргвайте повърхностите, когато върху тях има залепени мазнини, защото боята им се разрушава.
6. В случай на обширно създаване на пламъци, причинени от мазнини в топлоразпределителите (пламъчни тръби), може да настъпи влошаване на порцелановата боя.
7. Ако моделът, който сте закупили, е с отлята решетка, не наливайте студена вода, когато тя е все още гореща, тъй като може да се счупи.
8. Не използвайте разяждащи течности или почистващи спрейове.
9. Прочетете внимателно инструкциите!
10. Всички повреди, причинени от неспазване на горепосочените изисквания или неспазване на необходимото редовно почистване, не се покриват от гаранцията.

## Istruzioni di sicurezza

Conservare questo manuale di istruzioni per riferimenti futuri!

**QUESTO GRILL A GAS È PROGETTATO ESCLUSIVAMENTE PER L'USO ALL'APERTO!**

**ATTENZIONE: PER UN FUNZIONAMENTO SICURO E CORRETTO, ASSICURARSI DI COLLEGARE UN REGOLATORE DI PRESSIONE UNIDIREZIONALE (NON INCLUSO).**

### Importante:

**LEGGERE TUTTE LE ISTRUZIONI E LE OPERAZIONI PRIMA DI UTILIZZARE QUESTA UNITÀ. SEGUIRE TUTTI I PASSAGGI IN ORDINE. NON PERMETTERE MAI AI BAMBINI DI UTILIZZARE QUESTA UNITÀ.**

### Avvertenze:

Utilizzare solo all'aperto.

Leggere le istruzioni prima di utilizzare l'apparecchio. Le parti accessibili possono essere molto calde, tenere lontani i bambini piccoli. Non spostare l'apparecchio durante l'uso.

Chiudere l'alimentazione del gas alla bombola dopo l'uso. Qualsiasi modifica dell'apparecchio può essere pericolosa.

Le parti sigillate dal produttore o dal suo agente non devono essere modificate dall'utente. Non modificare l'apparecchio

### Attenzione:

Alcune parti di questo apparecchio diventano molto calde; prestare particolare attenzione in presenza di bambini o anziani.

### Per la vostra sicurezza:

Non conservare o utilizzare benzina o combustibili metilati o altri vapori e liquidi infiammabili in prossimità di questo o di altri apparecchi.

Non accendere mai un grill a gas con benzina o liquidi simili!

Suggerimento: l'utente non deve modificare il gruppo confezionato dal produttore.

Alcuni rivenditori di gas liquido possono riempire le bombole di gas liquido da utilizzare nel grill oltre la capacità di riempimento della bombola. Questo "riempimento eccessivo" può creare una condizione di pericolo. Il "riempimento eccessivo" delle bombole può generare una pressione eccessiva. Come dispositivo di sicurezza, la valvola di sicurezza dei serbatoi sfiata il vapore del gas per alleviare la pressione in eccesso. Questo vapore è combustibile e può quindi prendere fuoco. Per ridurre questo pericolo, è necessario adottare le seguenti precauzioni di sicurezza:


A. Quando fate riempire il serbatoio, assicuratevi di dire al fornitore di riempirlo a non più dell'80% della sua capacità totale.

B. Se si possiede o si utilizza un serbatoio di riserva supplementare, o se si dispone di un serbatoio scollegato, non bisogna mai riporlo vicino o sotto l'unità grill o il box di riscaldamento, o vicino a qualsiasi altra fonte di accensione o di calore.

### Pericoli:

Se si sente odore di gas:

1. Chiudere il gas all'apparecchio
2. Spegnerne le fiamme libere
3. Coperchio aperto
4. Se l'odore persiste, allontanarsi dall'apparecchio e chiamare i vigili del fuoco.

Dati tecnici				
 2531-26				
Modello	BBQ6020	BBQ6030	BBQ6031	BBQ6041
Caratteristiche di base	Griglia a gas a 2 bruciatori (senza bruciatore laterale)	Griglia a gas a 3 bruciatori (senza bruciatore laterale)	Griglia a gas con 3+1 bruciatori	Griglia a gas con 4+1 bruciatori
Dimensioni (cm)	L108,5 × L57 × A102	L120,5 × L58,5 × A103,5	L122 × L57 × A112	L132,5 × L57 × A112
Superficie della griglia (cm)	L48 × L42	L60 × L42	L60 × L42	L70,5 × L42
Materiale della griglia	Ghisa			
Potenza	3 kW per bruciatore, totale 6 kW	3 kW per bruciatore, totale 9 kW	3 kW per bruciatore, bruciatore laterale da 2,5 kW, totale 11,5 kW	3 kW per bruciatore, bruciatore laterale da 2,5 kW, totale 14,5 kW
Peso (kg)	29	21,5	29	34,5
Caratteristiche specifiche	2 ripiani laterali, 2 ruote (BBQ6020, BBQ6030), 4 ruote (BBQ6031, BBQ6041), termometro sul coperchio, termostato regolabile, interruttore di accensione piezoelettrica (BBQ6020, BBQ6030), accensione piezoelettrica automatica (BBQ6031, BBQ6041), raccogli grasso rimovibile, ripiani laterali pieghevoli (BBQ6020), slot per spiedo (BBQ6031, BBQ6041)			
Regolatore e tubo flessibile	non incluso			

**ATTENZIONE: NON UTILIZZARE MAI L'APPARECCHIO SENZA UN REGOLATORE DI GAS FISSO (30 mbar).**

## Fasi di montaggio

Assicuratevi che il vostro grill sia assemblato correttamente. Nella confezione di ogni grill sono contenute istruzioni dettagliate per il montaggio che indicano le procedure specifiche per ogni modello. Seguire attentamente queste istruzioni per garantire un montaggio corretto e sicuro del grill.

Attenzione: Sebbene ci impegniamo al massimo per garantire che il processo di assemblaggio sia il più semplice possibile, è normale che le parti in acciaio fabbricate possano causare tagli se maneggiate in modo improprio durante le procedure di assemblaggio. Prestare attenzione quando si maneggiano le parti durante l'assemblaggio. Si raccomanda vivamente di proteggere le mani con un paio di guanti da lavoro.

### Preparazione

Per il funzionamento di questo grill a gas è necessario disporre di una bombola di gas GPL e di regolatori adeguati alla pressione del gas. I regolatori devono essere conformi alla norma EN16129 nella versione attuale e alla normativa nazionale.

Per ulteriori istruzioni, vedere il punto 6.

Consigli per il risparmio energetico:

- Ridurre il tempo di apertura del coperchio.
- Spegnere il grill non appena la cottura è terminata.
- Preriscaldare la griglia a gas solo per 10-15 minuti. (tranne che per il primo utilizzo)
- Non preriscaldare più a lungo di quanto raccomandato.
- Non utilizzare un'impostazione più alta del necessario.
- Collegare il tubo e il regolatore al contenitore del gas sul lato sinistro della griglia a gas, tenendo presente che il contenitore del gas deve essere tenuto lontano dal calore e in posizione sicura. La dimensione del tubo è di 8-10 mm di diametro. La lunghezza del tubo flessibile consigliata non deve superare 1,5 m. Il tubo flessibile deve essere conforme alle norme e ai codici locali.

## Installazione

Dopo aver acquistato la bombola di gas, sarete pronti a configurarla con il vostro grill a gas.

- La sostituzione della bombola di gas deve essere effettuata lontano da qualsiasi fonte di accensione. Posizionare la bombola di gas sul lato sinistro del grill a gas, non all'interno del barbecue, tenendo presente che la bombola deve essere tenuta lontana dal calore e in posizione sicura.
- Quando si è pronti a utilizzare il grill a gas, inserire il regolatore nella valvola della bombola del gas e serrare saldamente.

Attenzione: Prima di accendere il grill a gas è necessario consultare le istruzioni per l'accensione e le avvertenze/sicurezza.

Controllare il tubo prima di ogni utilizzo, alla ricerca di crepe, tagli o abrasioni. Se il tubo risulta in qualche modo difettoso, non tentare di utilizzare il grill a gas. Quando si sostituisce la bombola del gas, assicurarsi che non vi siano fonti di accensione nelle vicinanze, ad esempio fuochi, sigarette, fiamme libere, ecc. Assicurarsi che l'apparecchio sia spento.

Durante l'installazione del grill a gas, assicurarsi che il tubo non subisca torsioni che potrebbero compromettere il flusso del gas. Inoltre, il tubo non deve essere sottoposto a tensioni eccessive e non deve toccare alcuna parte del grill a gas che potrebbe essere calda.

- Scegliere un tubo flessibile con resistenza al calore superiore a 80°C.
- Il tubo flessibile deve essere sostituito ogni 2 anni. È necessario sostituire il tubo flessibile quando le condizioni nazionali lo richiedono.

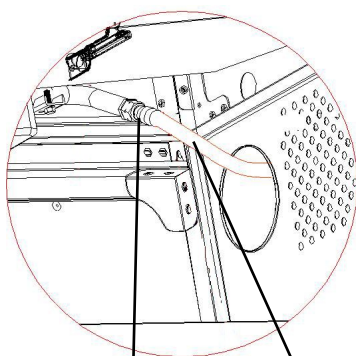
### Come cambiare il cilindro

Nota: spegnere l'interruttore del cilindro (non è necessaria una chiave).

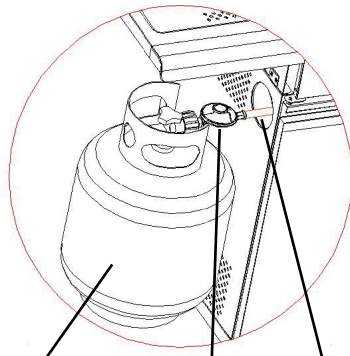
L'altezza della bombola di gas è inferiore a 80 cm e la larghezza non supera i 35 cm.

### Come collegare una bombola di gas

- Ruotare il tappo arancione in modo che la freccia sia rivolta verso la fessura del mantello.
- Rimuovere il cappuccio di sicurezza arancione tirando il cordino e poi fuori. Non utilizzare attrezzi. Lasciare il cappuccio appeso.
- Verificare che la rondella di tenuta nera sia inserita nella valvola della bombola. Collegare il regolatore alla valvola.
- Ruotare l'interruttore in senso orario sulla bombola del gas, quindi accendere il grill a gas come indicato.



Connettore del gas      Tubo flessibile



Bombola di gas      Regolatore      Tubo flessibile

\*Solo per il prodotto senza vano per la bombola del gas.

Attenzione: Verificare sempre che la linea del gas non presenti perdite in corrispondenza del connettore, rifinendo tutti i collegamenti con acqua saponata.

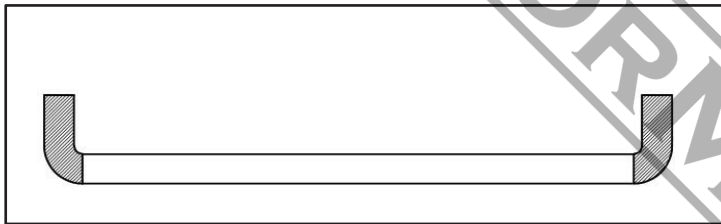
### Come scollegare una bombola di gas

- Ad eccezione delle installazioni bicilindriche con valvola di commutazione, chiudere il rubinetto del gas se presente nell'apparecchio. Attendere che il bruciatore e la fiamma pilota si spengano. Per le installazioni con valvola di commutazione, è necessario spegnere solo la bombola vuota.
- Riposizionare il tappo di sicurezza arancione sulla bombola vuota.

### Avvertenze e punti di sicurezza

Prima di utilizzare il grill a gas, leggere i seguenti punti:

- Leggere le istruzioni prima di utilizzare l'apparecchio. Se le istruzioni non vengono seguite, possono verificarsi problemi durante l'uso.
  - Le parti accessibili di questo grill a gas possono essere molto calde durante l'uso. Tenere lontani i bambini piccoli. Usare protezioni quando si maneggiano componenti particolarmente caldi.
  - In caso di perdita di gas, interrompere l'alimentazione del gas alla bombola, spegnere eventuali fiamme libere, aprire il coperchio e, se la perdita continua, verificare la presenza di danni, collegamenti difettosi ecc. Contattare immediatamente il rivenditore di gas locale se il problema non può essere risolto.
  - Non spostare la griglia a gas durante l'uso.
  - Non utilizzare o conservare liquidi, vapori o altri materiali nelle vicinanze durante il funzionamento del grill a gas.
  - Questo grill a gas deve essere utilizzato solo all'aperto.
  - Non utilizzare una fiamma libera per verificare eventuali perdite di gas.
  - Non utilizzare il grill a gas in caso di perdita di gas. Chiudere l'alimentazione del gas.
  - Non tentare di scollegare alcun componente del raccordo del gas se il grill a gas è in uso, sul grill a gas o sul regolatore/bombola del gas.
  - Si raccomanda di prestare attenzione durante l'uso del grill a gas e di non lasciarlo mai incustodito quando è in funzione. Dopo l'uso, chiudere l'alimentazione del gas dal contenitore.
  - Il grill a gas deve essere pulito dopo l'uso. Non ostruire l'apertura del fuoco del vano contenitore. Se l'apertura del fuoco è ostruita, utilizzare un bastone rotondo di  $\varnothing 1,6$  mm per scavare.
- Durante la pulizia del bruciatore o delle valvole, fare attenzione a non allargare le aperture del bruciatore o degli orifizi/ugelli.
- Non tentare di utilizzare questo apparecchio in un garage o in un'area chiusa. Inoltre, questo apparecchio deve essere tenuto lontano da materiali infiammabili durante l'uso, ecc. Si consiglia di mantenere una distanza di almeno 0,5-1,0 metri da qualsiasi materiale infiammabile.
  - Raccomandiamo che questo grill a gas venga sottoposto a manutenzione da parte di un tecnico competente almeno una volta all'anno presso il punto vendita locale di gas. Non tentare di eseguire la manutenzione dell'apparecchio da soli.
  - Qualsiasi modifica dell'apparecchio può essere pericolosa. Non tentare di interferire con i comandi principali di questo grill a gas, come rubinetti del gas, iniettori, valvole, ecc.



**AVVERTENZA:** L'area nera dell'impugnatura (vedere l'immagine sopra come riferimento) Diventerà caldo quando il grill a gas è in uso, fare attenzione! Non toccare l'area nera.

### Precauzioni di sicurezza

- Verificare sempre l'assenza di perdite sulla linea del gas in corrispondenza del connettore con acqua saponata dopo aver effettuato i collegamenti.
- Il coperchio superiore deve essere sempre aperto quando si accende il bruciatore.
- Quando si cucina sulla griglia, utilizzare guanti da forno e utensili da griglia a gas robusti e con manico lungo.
- Essere preparati in caso di incidente o incendio. Sapere dove si trovano la cassetta di pronto soccorso e gli estintori e sapere come usarli.
- Tenere il cavo di alimentazione elettrica e il tubo di alimentazione del carburante lontano da superfici riscaldate.
- Cucinare sempre con grande attenzione.
- Non riscaldare sulla griglia contenitori di vetro o di metallo non aperti. La pressione potrebbe aumentare e far scoppiare il contenitore, con il rischio di gravi lesioni personali o danni al grill.

### Istruzioni per l'uso

Attenzione: Il coperchio deve essere aperto quando si accende il bruciatore!  
Non posizionarsi con il viso direttamente sopra il grill a gas quando lo si accende.

Il vostro grill a gas avrà il seguente metodo di accensione:

Accensione del comando pilota del gas (bruciatore principale o bruciatore principale con bruciatore laterale): Con tutti i comandi del gas sul grill a gas in posizione "OFF" "OFF", girare la valvola della bombola del gas in posizione "on" sul regolatore. Per creare una scintilla è necessario premere la manopola di controllo (A) e mantenerla in questa posizione per 3-5 secondi per consentire il flusso del gas, quindi ruotarla in senso antiorario su "ALTO" (B). La scintilla può arrivare al tubo di accensione del bruciatore (C). Si sentirà uno "scatto" dell'accenditore e si vedrà anche una fiamma arancione provenire dal tubo di accensione del bruciatore sul lato sinistro del bruciatore (D).

Continuare a tenere premuta la manopola di controllo del bruciatore per due secondi dopo lo "scatto", per consentire al gas di fluire completamente lungo il tubo del bruciatore (E) e garantire l'accensione.

Quando il bruciatore è acceso, i bruciatori adiacenti si accendono trasversalmente quando i loro comandi sono portati su "ALTO".

Con l'impostazione "High" la fiamma del bruciatore deve essere lunga circa 12-20 mm con una fiamma arancione minima. Ruotare completamente il comando del gas in senso antiorario per ottenere l'impostazione minima.

Se si riscontrano difficoltà nell'accensione del grill a gas seguendo i passaggi sopra descritti, rivolgersi al rivenditore per un consiglio.

Se non è possibile utilizzare l'accensione automatica, rimuovere la griglia di cottura e il diffusore di calore (piastra) e ruotare la valvola in senso antiorario a 90°C per accendere con l'accendino BBQ a una distanza di 5 mm dal foro del bruciatore. Sostituire la griglia di cottura e il diffusore di calore (piastra), indossando guanti ignifughi e resistenti al calore.

Attenzione: se il bruciatore continua a non accendersi, ruotare la manopola di controllo del bruciatore su "OFF" e attendere 5 minuti per far uscire il gas prima di riaccenderlo.

## Conservazione

La bombola del gas deve essere conservata all'aperto in un'area ben ventilata e deve essere scollegata dal grill a gas quando non viene utilizzata. Assicurarsi di essere all'aperto e lontano da qualsiasi fonte di accensione prima di tentare di scollegare la bombola di gas dal grill a gas.

Quando si utilizza il grill a gas dopo un periodo di stoccaggio, assicurarsi di controllare eventuali perdite di gas e di verificare la presenza di eventuali ostruzioni nel bruciatore ecc. prima dell'uso. Seguire anche le istruzioni di pulizia per garantire la sicurezza del grill a gas.

Se il grill a gas viene immagazzinato all'aperto, verificare che tutte le aree sotto il pannello frontale siano libere da qualsiasi ostacolo (insetti, ecc.) Questa zona deve essere mantenuta libera in quanto potrebbe influire sul flusso dell'aria di combustione o di ventilazione.

## Istruzioni per la pulizia

La manutenzione è consigliata ogni 90 giorni per il vostro grill a gas, ma è assolutamente necessario eseguirla almeno una volta all'anno. Così facendo, prolungherete la vita del vostro grill a gas.

Il vostro grill a gas è facile da pulire con il minimo sforzo, basta seguire questi suggerimenti utili per la pulizia.

Risoluzione dei problemi		
Emergenze	Possibile causa	Prevenzione/Soluzione
Perdita di gas dal tubo flessibile incrinato / tagliato / bruciato.	Tubo flessibile danneggiato.	Spegnere il gas al serbatoio LP, se il tubo è tagliato o incrinato, sostituirlo. Vedere il test del cavo del serbatoio LP e il collegamento del regolatore all'LP.
Perdita di gas dalla valvola del serbatoio LP.	Guasto meccanico dovuto al riposo o alla manipolazione errata.	Chiudere la valvola del serbatoio LP.
Perdita di gas dalla valvola del serbatoio LP.	Guasto o valvola del serbatoio a causa di una manipolazione errata o di un guasto meccanico	Chiudere la valvola del serbatoio LP. Restituire il serbatoio LP al fornitore di gas
Perdita di gas tra il serbatoio LP e l'attacco del regolatore	Installazione non corretta, collegamento non a tenuta, guasto della guarnizione in gomma	Chiudere la valvola del serbatoio LP, rimuovere il regolatore dalla bombola e controllare visivamente che la guarnizione di gomma non sia danneggiata, vedi test del serbatoio LP e collegamento del regolatore al serbatoio LP.
Fuoco proveniente dal pannello di controllo	Incendio nella sezione del tubo del bruciatore a causa di un'ostruzione parziale	Spegnere le manopole di controllo e la valvola del serbatoio LP.  Dopo che il fuoco è stato spento e la griglia è fredda, rimuovere il bruciatore e controllare che non vi siano nidi di ragno o ruggine, vedere le pagine relative ai rischi naturali e alla pulizia del gruppo bruciatore.
Incendio di grasso o fiamme eccessive sopra il piano di cottura	Troppi accumuli di grasso nella zona del bruciatore.	Spegnere il serbatoio LP. Lasciare il coperchio aperto per consentire alle fiamme di spegnersi. Dopo il raffreddamento, pulire le particelle di cibo e il grasso in eccesso dall'area interna del focolare, dalla vaschetta/padella/vaschetta per il grasso e da altre superfici.
Il bruciatore non si accende con l'accenditore.	Problemi di gas	
	1. Tentativo di accensione del bruciatore sbagliato	1. Vedere le istruzioni sul pannello di controllo e la sezione Uso e cura.
	2. Il bruciatore non è agganciato alla valvola di controllo	2. Assicurarsi che la valvola sia posizionata all'interno dei tubi del bruciatore.
	3. Ostruzione del bruciatore.	3. Assicurarsi che i tubi del bruciatore non siano ostruiti da ragnatele o da altre
	4. Nessun flusso di gas	4. Assicurarsi che il serbatoio LP non sia vuoto. Se il serbatoio LP non è vuoto, fare riferimento al calo improvviso del flusso di gas.
Il bruciatore non si accende con l'accenditore.	Problemi elettrici	

	<ol style="list-style-type: none"> <li>1. Elettrodo incrinato o rotto;" scintille sulla crepa".</li> <li>2. La punta dell'elettrodo non è in posizione corretta</li> <li>3. Filo e/o elettrodo coperto di cottura residuo.</li> <li>4. I fili sono allentati o scollegati</li> <li>5. I fili sono in cortocircuito (scintilla) tra l'accenditore e l'impianto di accensione. e l'elettrodo.</li> <li>6. Il pulsante si blocca in basso provocando una scintilla tra l'accenditore e l'elettrodo</li> </ol>	<ol style="list-style-type: none"> <li>1. Sostituire l'elettrodo.</li> <li>2. La punta dell'elettrodo deve essere rivolta verso il foro del bruciatore. La distanza deve essere compresa tra 1/8" e 3/16". Regolare se necessario.</li> <li>3. Pulire il filo e o l'elettrodo con alcool e un tampone pulito.</li> <li>4. Ricollegare i fili o sostituire il gruppo elettrodo/filo.</li> <li>5. Sostituire il filo dell'accenditore</li> <li>6. Sostituire l'accenditore</li> <li>7. Controllare l'isolamento dei fili e il loro corretto collegamento. Sostituire i fili se l'isolamento è rotto.</li> </ol>
Il bruciatore non si accende	<ol style="list-style-type: none"> <li>1. Vedere "Problemi di gas" alla pagina precedente.</li> <li>2. Metodo improprio di accensione dei fiammiferi</li> </ol>	<ol style="list-style-type: none"> <li>1. Vedere la sezione "Controllo dell'accensione del gas pilota" dell'uso e della manutenzione. cura.</li> </ol>
Improvviso calo del flusso di gas o fiamma bassa	<ol style="list-style-type: none"> <li>1. Accumulo di grasso.</li> <li>2. Eccesso di grassi nella carne.</li> <li>3. Temperatura di cottura eccessiva</li> </ol>	<ol style="list-style-type: none"> <li>1. Pulire i bruciatori e l'interno della griglia / del focolare</li> <li>2. Eliminare il grasso dalla carne prima di grigliarla.</li> <li>3. Regolare (abbassare) la temperatura</li> </ol>
Le Fiamme fanno saltare in aria	Vento forte o a raffiche. Scarsa disponibilità di gas LP. È intervenuta la valvola di eccesso di flusso.	<p>Ruotare la parte anteriore della griglia per affrontare il vento o aumentare l'altezza della fiamma.</p> <p>Riempire il serbatoio LP.</p> <p>Fare riferimento a "improvviso calo del flusso di gas" di cui sopra.</p>
Incendio persistente di grasso	Grasso intrappolato da accumuli di cibo intorno al sistema del bruciatore.	Girare le manopole su OFF. Chiudere il gas al serbatoio LP. Lasciare il coperchio in posizione e lasciare che il fuoco si spenga. Dopo il raffreddamento del grill, rimuovere e pulire tutte le parti.
Ritorno di fiamma (incendio nei tubi del bruciatore)	Il bruciatore e i tubi del bruciatore sono bloccati	Girare le manopole su OFF, pulire il bruciatore e/o i tubi del bruciatore. Vedere la sezione "Pulizia del bruciatore" del manuale d'uso e manutenzione.
Riaccensione	<ol style="list-style-type: none"> <li>1. Accumulo di grasso.</li> <li>2. Eccesso di grassi nella carne.</li> <li>3. Temperatura di cottura eccessiva</li> </ol>	<ol style="list-style-type: none"> <li>1. Pulire i bruciatori e l'interno della griglia / del focolare</li> <li>2. Eliminare il grasso dalla carne prima di grigliarla.</li> <li>3. Regolare (abbassare) la temperatura</li> </ol>
Impossibile riempire il serbatoio LP	Alcuni concessionari hanno ugelli di riempimento più vecchi e usurati fili.	Gli ugelli usurati non hanno abbastanza "mordente" per agganciare la valvola. Provare con un secondo rivenditore LP.
Un bruciatore non si accende rispetto agli altri bruciatori	Accumulo di grasso o particelle di cibo all'estremità del tubo di trasporto	Pulire il tubo di riporto con una spazzola metallica

Se il problema non si risolve con le informazioni di cui sopra, contattare il rivenditore di gas locale.

a) Accendere il bruciatore per 15-20 minuti. Assicurarsi che l'apparecchio sia freddo prima di continuare.

b) Le griglie devono essere pulite periodicamente immergendole e lavandole in acqua e sapone.

c) Anche le superfici interne del coperchio dell'alloggiamento della griglia devono essere lavate con acqua calda e sapone. Per rimuovere le macchie più ostinate, utilizzare una spazzola metallica, lana d'acciaio o un tampone abrasivo.

d) Controllare periodicamente che il bruciatore sia libero da insetti e ragni che possono intasare il sistema del gas, deviando il flusso del gas. Pulire accuratamente i tubi di Venturi del bruciatore e assicurarsi che non vi siano ostruzioni. Si consiglia di utilizzare uno scovolino per pulire l'area del tubo di Venturi.

e) Qualsiasi modifica a questo apparecchio può essere pericolosa e non è consentita.

#### Suggerimenti per la sicurezza del grill a gas

Posizionate il grill a gas su una superficie piana e sicura, lontano da elementi infiammabili come recinzioni in legno o rami di alberi sporgenti. Non utilizzare mai il grill a gas in ambienti chiusi!

Una volta acceso, non spostare il grill a gas e non lasciarlo incustodito. Tenete bambini e animali domestici a distanza di sicurezza dal grill a gas. Tenete a portata di mano un estintore.

Il grill a gas si surriscalda durante l'uso, quindi maneggiare i coperchi ecc. con l'aiuto di guanti. Assicurarsi che l'apparecchio si sia completamente raffreddato prima di riparlo.

Utilizzare solo all'aperto!

Leggere le istruzioni prima di utilizzare il grill a gas.

Le parti valutabili possono essere molto calde, tenere lontani i bambini piccoli!

Non spostare il grill a gas durante l'uso.

Dopo l'uso, chiudere l'alimentazione del gas sul contenitore.

Qualsiasi modifica dell'apparecchio può essere pericolosa e non è consentita.

Centro di manutenzione: rivolgersi ai rivenditori locali per la manutenzione della produzione.

## Инструкции за безопасност

Моля, запазете това ръководство за употреба за бъдещи справки!  
ТОЗИ ГАЗОВ ГРИЛ Е ПРЕДНАЗНАЧЕН ЗА ИЗПОЛЗВАНЕ САМО НА ОТКРИТО!

**ПРЕДУПРЕЖДЕНИЕ: ЗА БЕЗОПАСНА И ПРАВИЛНА РАБОТА СЕ УВЕРЕТЕ, ЧЕ СТЕ СВЪРЗАЛИ ЕДНОПОСОЧЕН РЕГУЛАТОР НА НАЛЯГАНЕТО (НЕ Е ВКЛЮЧЕН В КОМПЛЕКТА).**

### Важно:

**ПРОЧЕТЕТЕ ВСИЧКИ ИНСТРУКЦИИ И ОПЕРАЦИИ, ПРЕДИ ДА ЗАПОЧНЕТЕ РАБОТА С ТОЗИ УРЕД. СЛЕДВАЙТЕ ВСИЧКИ СЪПКИ В ПОСЛЕДОВАТЕЛНОСТ. НИКОГА НЕ ПОЗВОЛЯВАЙТЕ НА ДЕЦА ДА РАБОТЯТ С ТОЗИ УРЕД.**

### Предупреждения:

Използвайте само на открито.

Прочетете инструкциите, преди да използвате уреда.

Достъпните части може да са много горещи, пазете малки деца далеч от тях. Не премествайте уреда по време на употреба.

След употреба изключете подаването на газ от газовата бутилка. Всяка модификация на уреда може да бъде опасна.

Частите, запечатани от производителя или негов представител, не трябва да бъдат променяни от потребителя. Не модифицирайте уреда

### Внимание:

Някои части на уреда стават много горещи, внимавайте особено, когато има деца или възрастни хора.

### За вашата безопасност:

Не съхранявайте и не използвайте бензин, метилирани горива или други запалими пари и течности в близост до този или друг уред.

Никога не запалвайте газовия грил с бензин или подобни течности!

Предложение: потребителят не бива да променя сглобката, която е опакована от производителя.

Някои търговци на течен газ могат да пълнят бутилки с течен газ за използване в грила над капацитета за пълнене на бутилките. Това "препълване" може да създаде опасно състояние. "Препълването" на резервоарите може да доведе до натрупване на свръхналягане. Като предпазно устройство, предпазният клапан на резервоарите изпуска газови пари, за да намали това свръхналягане. Тази пара е горима и следователно може да се възпламени. За да намалите тази опасност, трябва да вземете следните предпазни мерки:

A. Когато зареждате резервоара си, не забравяйте да кажете на доставчика да го напълни до не повече от 80% от общата му вместимост.

B. Ако притежавате или използвате допълнителен резервоар или имате изключен резервоар, никога не трябва да го съхранявате в близост до или под грила или нагревателната кутия, или в близост до друг източник на запалване или топлина.

### Опасности:

Ако усетите мирис на газ:

1. Изключете газта към уреда
2. Погасете всеки открит пламък
3. Отворен капак
4. Ако миризмата продължава да се усеща, дръжте се далеч от уреда и се обадете на местната пожарна служба.

Технически данни				
2531-26				
Модел	BBQ6020	BBQ6030	BBQ6031	BBQ6041
Основни характеристики	2-горивен газов грил (без страничен горел)	3-горивен газов грил (без страничен горел)	Газов грил с 3+1 горелки	Газов грил с 4+1 горелки
Размери (cm)	Д108,5 × Ш57 × В102	Д120,5 × Ш58,5 × В103,5	Д122 × Ш57 × В112	Д132,5 × Ш57 × В112
Повърхност на скарата (cm)	Д48 × Ш42	Д60 × Ш42	Д60 × Ш42	Д70,5 × Ш42
Материал на скарата	Чугун			
Мощност	3 kW на горелка, обща 6 kW	3 kW на горелка, обща 9 kW	3 kW на горелка, 2,5 kW странична горелка, обща 11,5 kW	3 kW на горелка, 2,5 kW странична горелка, обща 14,5 kW
Тегло (kg)	29	21,5	29	34,5
Специфични характеристики	2 странични рафта, 2 колела (BBQ6020, BBQ6030), 4 колела (BBQ6031, BBQ6041), термометър на капака, регулируем термостат, превключвател за пиезозапалване (BBQ6020, BBQ6030), автоматично пиезозапалване (BBQ6031, BBQ6041), подвижен събирач на мазнина, сгъваеми странични рафтове (BBQ6020), слот за шишчета за скара (BBQ6031, BBQ6041)			
Регулатор и маркуч	Не е включен			

**ПРЕДУПРЕЖДЕНИЕ: НИКОГА НЕ ИЗПОЛЗВАЙТЕ УРЕДА БЕЗ СТАБИЛЕН ГАЗОВ РЕГУЛАТОР (30 mbar).**

## Стъпки за монтиране

Уверете се, че грилът е сглобен правилно. Към всеки грил са приложени подробни инструкции за сглобяване, в които са описани конкретните процедури за сглобяване за всеки модел. Следвайте внимателно тези инструкции, за да гарантирате правилното и безопасно сглобяване на грила.

Внимание: Въпреки че полагаме всички усилия, за да гарантираме, че процесът на сглобяване е възможно най-лесен, за изработените стоманени части е присъщо, че ъглите и ръбовете могат да причинят порязвания при неправилно боравене с тях по време на монтажните процедури. Бъдете внимателни, докато боравите с всички части по време на монтажа. Силно препоръчително е да защитите ръцете си с чифт работни ръкавици.

### Подготовка

За да работите с този газов грил, се нуждаете от газова бутилка за втечен нефтен газ и подходящи регулатори за налягането на газа. Регулаторите трябва да отговарят на изискванията на EN16129 в актуалната му версия и на националното законодателство.

Вижте точка 6 за допълнителни инструкции.

Съвети за пестене на енергия:

- Намалете времето за отваряне на капака.
- Изключете грила веднага след приключване на готвенето.
- Загрейте газовия грил само за 10 до 15 минути. (С изключение на първото използване)
- Не нагрявайте по-дълго от препоръчаното.
- Не използвайте по-висока настройка от необходимата.
- Свържете маркуча и регулатора към газовия контейнер от лявата страна на газовия грил. Имайте предвид, че газовият контейнер трябва да се държи далеч от топлина и на безопасно място. Размерите на маркуча са с диаметър 8-10 мм. Препоръчителната дължина на маркуча не трябва да надвишава 1,5 м. Гъвкавият маркуч трябва да отговаря на изискванията на съответния стандарт и местния правилник.

## Инсталация

След като закупите газовата бутилка, ще можете да я настроите с газовия си грил.

- При смяна на газовата бутилка тя трябва да се извършва далеч от всякакви източници на запалване. Разположете газовата бутилка от лявата страна на газовия грил, не трябва да се поставя вътре в барбекюто, като имате предвид, че бутилката трябва да се държи далеч от топлина и на безопасно място.
- Когато сте готови да използвате газовия си грил, поставете регулатора във вентила на газовата бутилка и го затегнете здраво.

Предупреждение: Преди да се опитате да запалите газовия си грил, трябва да се запознаете с инструкциите за запалване и предупредителните/безопасните точки.

Преди всяка употреба проверявайте маркуча за напукване, порязвания или ожулвания. Ако маркучът е повреден по какъвто и да е начин, не се опитвайте да използвате газовия си грил. Когато смените газовата бутилка, уверете се, че в близост няма източници на запалване, т.е. огньове, цигари, открит огън и др. Уверете се, че уредът е изключен.

Уверете се, че маркучът не е усукан, което ще повлияе на газовия поток при монтажа на газовия грил. Освен това маркучът не трябва да е прекалено опънат и не трябва да се допира до някоя част на газовия грил, която може да е гореща.

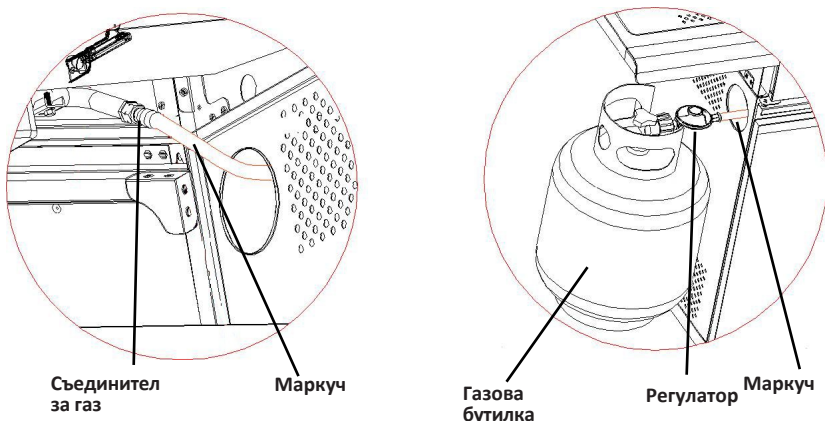
- Моля, изберете гъвкав маркуч, чиято топлоустойчивост е по-висока от 80°C.
- Гъвкавата тръба трябва да се сменя на всеки 2 години. Необходимо е да смените гъвкавата тръба, когато националните условия го изискват.

### Как да смените цилиндъра си

Забележка: Изключете превключвателя на цилиндъра (не е необходим гаечен ключ) Височината на газовата бутилка е под 80 см, а ширината - до 35 см.

### Как да свържете газова бутилка

- Завъртете оранжевата капачка така, че стрелката да сочи към пролуката в кожуха.
- Отстранете оранжевата предпазна капачка, като издърпате ремъка, след това навън. Не използвайте инструменти. Оставете капачката да виси.
- Проверете дали черната уплътнителна шайба е поставена във вътрешността на цилиндричния клапан. Свържете регулатора към вентила.
- Завъртете превключвателя по посока на часовниковата стрелка на газовата бутилка, след което включете газовия грил съгласно инструкциите.



\* Само за продукта без отделение за газова бутилка.

Предупреждение: Винаги проверявайте газопровода за течове в конектора със сапунена вода, като завършвате всички връзки.

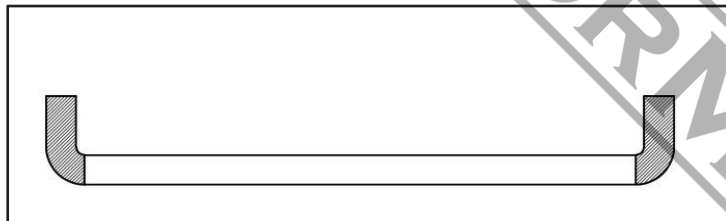
### Как се изключва газова бутилка

- С изключение на двучилиндровите инсталации с превключващ вентил, изключете газовия кран, ако е монтиран към уреда. Изчакайте, докато горелката и пилотната лампа угаснат. При инсталации с превключващ вентил е необходимо да изключите само празната бутилка.
- Поставете оранжевата предпазна капачка върху празния цилиндър.

### Предупреждения и точки за безопасност

Моля, прочетете следните точки, преди да използвате газовия си грил:

- Прочетете инструкциите, преди да използвате уреда. Ако инструкциите не се спазват, това може да доведе до проблеми при използването.
- Този газов грил може да е много горещ, когато се използва. Пазете малки деца настрана. Използвайте предпазни средства при работа с особено горещи компоненти.
- В случай на изтичане на газ, изключете подаването на газ от бутилката, изгасете всички открити пламъци, отворете капака и ако изтичането продължава, проверете за повреди, лоши връзки и т.н. Незабавно се свържете с местния търговец на газ, ако проблемът не може да бъде разрешен.
- Не премествайте газовия грил по време на употреба.
- Не използвайте и не съхранявайте никакви течности, изпарения или други материали в близост, когато работите с газовия грил.
- Този газов грил може да се използва само на открито.
- Не използвайте открит пламък, за да проверявате за изтичане на газ.
- Не работете с газовия грил, ако има изтичане на газ. Изключете подаването на газ.
- Не се опитвайте да изключвате която и да е част от газовата арматура, ако газовият ви грил се използва, на газовия грил или на газовия регулатор/бутилка.
- Препоръчително е да се внимава, когато се работи с газовия грил, никога не трябва да се оставя без надзор, когато се използва. След употреба изключете подаването на газ от газовия контейнер.
- Газовият грил трябва да се почиства след употреба. Не запушвайте отвора за огън на отделението за контейнери. Ако отворът за огъня е запушен, моля, използвайте кръгла пръчка с диаметър  $\Phi 1,6$  мм, за да изгребете. Внимавайте да не разширите отворите на горелката или отворите на отворите/дюзите, когато почиствате горелката или клапаните.
- Не се опитвайте да използвате този уред в гараж или друго затворено помещение. Също така този уред трябва да се държи далеч от запалими материали по време на употреба и т.н. Препоръчваме ви да спазвате разстояние от поне 0,5 до 1,0 метра от всякакви запалими материали.
- Препоръчваме този газов грил да се обслужва от компетентен инженер в местния магазин за продажба на газ поне веднъж годишно. Не се опитвайте да обслужвате този уред сами.
- Всяка модификация на уреда може да бъде опасна. Не правете опити за неразрешена намеса в основните органи за управление на този газов грил, т.е. в газовите кранове, инжекторите, клапаните и др.



**ПРЕДУПРЕЖДЕНИЕ:** Черната зона на дръжката (вижте горната снимка за справка)

Ще стане горещо, когато се използва газовата скара, бъдете внимателни! Не докосвайте черната зона.

### Предпазни мерки за безопасност

- Винаги проверявайте газопровода за течове в съединителя със сапунена вода, след като направите връзки.
- При запалване на горелката горният капак винаги трябва да е отворен.
- Когато готвите на грил, използвайте ръкавици и здрави инструменти за газов грил с дълги дръжки.
- Бъдете подготвени, ако възникне инцидент или пожар. Знайте къде се намират аптечката за първа помощ и пожарогасителите и знайте как да ги използвате.
- Дръжте електрическия захранващ кабел и маркуча за подаване на гориво далеч от всякакви нагreti повърхности.
- Винаги гответе с голямо внимание.
- Не нагривайте неотворени стъклени или метални съдове с храна върху грила. Налягането може да се повиши и да доведе до спукване на контейнера, което може да доведе до сериозни наранявания или повреда на грила.

### Инструкции за експлоатация

Внимание: При запалване на горелката капакът трябва да е отворен!  
Не стойте с лице директно над газовия грил, когато го запалвате.

Вашият газов грил има следния начин на запалване:

Пилотното запалване на газовия регулатор (основна горелка или основна горелка със странична горелка): При положение, че всички контролни уреди за газта на газовия грил са в положение "OFF" (изключено), завъртете вентила на газовия цилиндър в положение "on" (включено) на регулатора. За да създадете искра, трябва да натиснете копчето за управление (A) и да го задържите в това положение за 3-5 секунди, за да позволите на газа да потече, след което да завъртите обратно на часовниковата стрелка на "HIGH" (B). Може да се получи искра към тръбата за осветление на горелката (C). Ще чуете "щракване" от запалителя и ще видите също така оранжев пламък, излизащ от тръбата за осветяване на горелката в лявата част на горелката (D).

Продължете да държите копчето за управление на горелката в продължение на две секунди след "щракването", което ще позволи на газа да потече напълно по тръбата на горелката (E) и да се запали.

Когато горелката е запалена, съседните горелки се запалват кръстосано, когато контролите им са завъртени на "HIGH".

При настройка "High" пламъкът на горелката трябва да е дълъг приблизително 12-20 мм с минимален оранжев пламък. Завъртете регулатора на газта до край обратно на часовниковата стрелка за минимална настройка.

Ако имате затруднения при запалването на газовия грил, следвайки горните стъпки, свържете се с вашия дилър за съвет.

Ако автоматичното запалване не може да се използва, моля, отстранете решетката за готвене и топлинния разсейвател (котлона) и завъртете вентила обратно на часовниковата стрелка на 90°C, за да запалите със запалка за барбекю на разстояние 5 мм до отвора за огън на горелката. Заменете решетката за готвене и разсейвателя на топлината (котлона), моля, носете огнеупорни и топлоустойчиви ръкавици.

Предупреждение: Ако горелката все още не се запалва, завъртете копчето за управление на горелката в положение "OFF" (Искл.) и изчакайте 5 минути, за да се освободи газта, преди да запалите отново.

## Съхранение

Газовата бутилка трябва да се съхранява на открито, на добре проветриво място и да се изключва от газовия грил, когато не се използва. Уверете се, че сте на открито и далеч от всякакви източници на запалване, преди да се опитате да изключите газовата бутилка от газовия грил. Когато използвате газовия си грил след определен период на съхранение, преди да го използвате, проверете за изтичане на газ и за препятствия в горелката и т.н. Също така следвайте инструкциите за почистване, за да сте сигурни, че газовият грил е безопасен. Ако газовият грил се съхранява на открито, проверете дали всички зони под предния панел са свободни от всякакви препятствия (насекоми и др.) Тази зона трябва да се поддържа свободна, тъй като това може да повлияе на потока на въздуха за горене или вентилация.

## Инструкции за почистване

Препоръчва се поддръжка на всеки 90 дни за вашия газов грил, но е абсолютно необходимо да се извършва поддръжка поне веднъж годишно. По този начин ще удължите живота на газовия си грил.

Газовият ви грил се почиства лесно и с минимални усилия, просто следвайте тези полезни съвети за удобно почистване.

Отстраняване на неизправности		
Спешни случаи	Възможна причина	Превенция/решение
Изтичане на газ от напукан / прекъснат / изгорял маркуч.	Повреден маркуч.	Изключете газа в резервоара за LP, ако маркучът е прекъснат или напукан, го сменете. Вижте теста за водене на резервоара за LP и свързването на регулатора към LP.
Изтичане на газ от клапана на резервоара за LP.	Механична повреда, дължаща се на почивка или неправилно боравене.	Изключете вентила на резервоара за LP.
Изтичане на газ от клапана на резервоара за LP.	Повреда или повреда на клапана на резервоара поради неправилно боравене или механична повреда	Изключете вентила на резервоара за LP. Върнете резервоара за LP на доставчика на газ
Изтичане на газ между резервоара за втечнен газ и връзката на регулатора	Неправилен монтаж, недобре затегната връзка, повреда на гуменото уплътнение	Изключете вентила на резервоара за LP, извадете регулатора от бутилката и визуално проверете гуменото уплътнение за повреди, вж. тест на резервоара за LP и свързване на регулатора към резервоара за LP
Пожар през контролния панел	Пожар в тръбната секция на горелката поради частично запушване	Изключете копчетата за управление и вентила на резервоара за LP.  След като огънят угасне и грилът изстине, извадете горелката и проверете дали няма паяжини или ръжда, вж. страниците за природни опасности и почистване на сглобката на горелката.
Запалване на мазнина или прекомерни пламъци над повърхността за готвене	Натрупване на твърде много мазнина в областта на горелката.	Изключете резервоара за LP. Оставете капака отворен, за да може пламъците да утихнат. След като се охлади, почистете частиците храна и излишната мазнина от вътрешната част на горивната камера, чашата/паницата/тавата за мазнина и други повърхности.
Горелката не се запалва с помощта на запалителя.	Проблеми с газа	
	1. Опит за запалване на грешна горелка	1. Вижте инструкциите на контролния панел и раздела в Употреба и грижи.
	2. Горелката не е свързана с управляващия вентил	2. Уверете се, че клапанът е разположен вътре в тръбите на горелката.
	3. Препятствие в горелката.	3. Уверете се, че тръбите на горелката не са запушени с паяжини или други
	4. Няма газов поток	4. Уверете се, че резервоарът за LP не е празен. Ако резервоарът за LP не е празен, обърнете внимание на внезапния спад на газовия поток.
Горелката не се запалва с помощта на запалителя.	Електрически проблеми	

	<ol style="list-style-type: none"> <li>1. Електродът е пукнат или счупен;" искри при пукнатината."</li> <li>2. Върхът на електрода не е в правилна позиция</li> <li>3. Жица и/или електрод, покрити с готвене остатъци.</li> <li>4. Проводниците са разхлабени или разединени</li> <li>5. Проводниците се късат (искрят) между запалителя и електрод.</li> <li>6. Бутонът за натискане се придържа към дъното, което предизвиква искрене между запалителя и електрода</li> </ol>	<ol style="list-style-type: none"> <li>1. Сменете електрода.</li> <li>2. Върхът на електрода трябва да е насочен към отвора на горелката. Разстоянието трябва да бъде от 1/8" до 3/16". Регулирайте, ако е необходимо.</li> <li>3. Почистете проводника и/или електрода с алкохол и чист тампон.</li> <li>4. Свържете отново проводниците или сменете сглобката електрод/проводник.</li> <li>5. Заменете проводника на запалването</li> <li>6. Замяна на запалителя</li> <li>7. Проверете изолацията на проводника и правилното свързване. Ако изолацията е нарушена, сменете проводниците.</li> </ol>
Горелката не се запалва	<ol style="list-style-type: none"> <li>1. Вижте "Проблеми с газа" на предишната страница.</li> <li>2. Неправилен начин на запалване на мачове</li> </ol>	<ol style="list-style-type: none"> <li>1. Вижте раздел "Контрол на запалването на пилотния газ" за употреба и грижи.</li> </ol>
Внезапно намаляване на газовия поток или слаб пламък	<ol style="list-style-type: none"> <li>1. Натрупване на грес.</li> <li>2. Прекалено много мазнини в месото.</li> <li>3. Прекалено висока температура на готвене</li> </ol>	<ol style="list-style-type: none"> <li>1. Почистете горелките и вътрешността на скарата/огнището</li> <li>2. Изчистете мазнините от месото преди печене на скара.</li> <li>3. Регулиране (понижаване) на температурата</li> </ol>
Пламъците избухват	Силни или поривисти ветрове. Нисък разход на газ LP. Сработил е клапанът за прекомерен поток.	Обърнете предната част на грила към вятъра или увеличете височината на пламъка. Напълнете резервоара за втечнена течност. Вижте "внезапно намаляване на газовия поток" по-горе.
Устойчив пожар на мазнини	Мазнина, уловена от натрупана храна около системата на горелката.	Завъртете копчетата в положение OFF. Изключете газа в резервоара за LP. Оставете капака на място и оставете огъня да изгори. След като грилът изстинее, свалете и почистете всички части.
Възпламеняване (пожар в тръбата(ите) на горелката)	Горелката и тръбите на горелката са блокирани	Завъртете копчетата на OFF, почистете горелката и/или тръбите на горелката. Вижте раздела за почистване на горелката в ръководството за употреба и грижи.
Възпламеняване	<ol style="list-style-type: none"> <li>1. Натрупване на грес.</li> <li>2. Прекалено много мазнини в месото.</li> <li>3. Прекалено висока температура на готвене</li> </ol>	<ol style="list-style-type: none"> <li>1. Почистете горелките и вътрешността на скарата/огнището</li> <li>2. Изчистете мазнините от месото преди печене на скара.</li> <li>3. Регулиране (понижаване) на температурата</li> </ol>
Невъзможност за пълнене на резервоара за LP	Някои дилъри имат по-стари дюзи за пълнене с износени нишки.	Износените дюзи нямат достатъчно "захапка", за да действат клапана. Опитайте при втори търговец на LP.
Едната горелка не се запалва от другата(ите) горелка ( и )	Натрупване на мазнина или хранителни частици в края на тръбата за пренос	Почистете тръбата за пренос с телена четка

Ако проблемът ви не е разрешен с помощта на горната информация, моля, свържете се с местния търговец на газ.

- Включете горелката за 15-20 минути. Уверете се, че уредът е студен, преди да продължите.
- Решетките трябва да се почистват периодично чрез накисване и измиване със сапунена вода.
- Вътрешните повърхности на капака на корпуса на грила също трябва да се измият с гореща сапунена вода. Използвайте телена четка, стоманена вълна или почистващ тампон, за да отстраните упоритите петна.
- Периодично проверявайте горелката, за да се уверите, че в нея няма насекоми и паяци, които могат да запустат газовата система, отклонявайки газовия поток. Почиствайте много внимателно тръбите Вентури на горелката, уверете се, че няма препятствия. Препоръчваме ви да използвате уред за почистване на тръби, за да почистите зоната на тръбите на Вентури.
- Всякакви модификации на този уред могат да бъдат опасни и не са разрешени.

#### Съвети за безопасност на газовия грил

Поставете газовия си грил на безопасна равна повърхност, далеч от запалими предмети, като дървени огради или надвиснали клони на дървета. Никога не използвайте газовия си грил на закрито!

След като запалите газовия грил, не го премествайте и не го оставяйте без надзор. Дръжте децата и домашните любимци на безопасно разстояние от газовия грил.

Дръжте пожарогасител под ръка.

Газовият грил се нагорещява при работа, затова боравете с капаки и др. с помощта на ръкавици. Уверете се, че уредът е напълно изстинал, преди да го съхранявате. Използвайте само на открито!

Прочетете инструкциите, преди да използвате газовия грил.

Оценяемите части могат да бъдат много горещи, Пазете малки деца далеч! Не премествайте газовия грил по време на работа.

След употреба изключете подаването на газ от газовия контейнер.

Всяка модификация на уреда може да бъде опасна и не е разрешена. Център за поддръжка: моля, обърнете се към местните търговци за поддръжка на производството.

**УПОЗОРЕЊЕ**  
**ВАЖНО ОБАВЕШТЕЊЕ**

1. За безбедно и правилно коришћење, користите само боце са ЛПГ-ом намењене за домаћу употребу које су опремљене безбедносним вентилом. Такође, треба да повежете регулатор ниског притиска од 30 mbar (који се не подешава) са вентилом боце и посебну цреву за ЛПГ уређаје, водећи рачуна да не дође до цурења или оштећења система.
2. Навој регулатора притиска је левострафни (креће се у смеру супротном казаљки на сату).
3. Никада и под никаквим околностима не смете остављати роштиљ без надзора.
4. Ако се појави много пламена који се сами не гасе, затворите боцу са гасом. Ако дозволите ватри да гори, постоји могућност да се боја роштиља изагори. Пре сваког загревања требало би да очистите прикупљач масти, распршиваче топлоте (умириваче пламена) и остатак роштиља од масти, јер се она може запалити и уништити роштиљ.
5. Распршиваче топлоте (угушиваче пламена) и посуду за прикупљање масти треба чистити након сваке употребе, потопљајући их у врућу воду са средством за прање судова. Не стружите површине када су на њима прилепљене масноће јер се њихова боја разграђује.
6. У случају обилног стварања пламена изазваног мастима у распршивачима топлоте (цевчицама за угасивање пламена), може доћи до погоршања порцеланске боје.
7. Ако је модел који сте купили опремљен одбаченим решеткама, не сипајте хладну воду док је он још врућ јер се може сломити.
8. Не користите каустичне течности или спрејеве за чишћење.
9. Пажљиво прочитајте упутства!
10. Сва оштећења настала непоштовањем горе наведеног или неправилним редовним чишћењем неће бити покривена гаранцијом.

**UPOZORENJE**  
**VAŽNA OBAVIJEST**

1. Za siguran i pravilan rad koristite samo cilindre UNP-a namijenjene za kućnu uporabu koji su opremljeni sigurnosnim ventilom. Također, trebali biste spojiti regulator niskog tlaka 30mbar (koji se ne može podesiti) s ventilom boce i posebnim crijevom za LPG uređaje pazеći da ne dođe do curenja ili oštećenja kruga.
2. Navoji regulatora tlaka su u smjeru suprotnom od kazaljke na satu.
3. Nikada i ni pod kojim uvjetima ne smijete ostaviti roštilj bez nadzora.
4. Ako se stvori mnogo plamena koji se sami ne gase, zatvorite plinsku bocu. Ako pustite da vatra izgori, postoji mogućnost da će boja roštilja izgorjeti. Prije svakog zagrijavanja trebali ste očistiti sakupljač masti, rasipače topline (krotitelje plamena) i ostatak roštilja od masti, jer se mogu zapaliti i uništiti roštilj.
5. Rasipači topline (krotitelji plamena) moraju se očistiti nakon svake uporabe, kao i posuda za sakupljanje masti uranjanjem u vruću vodu tekućinom za pranje posuđa. Nemojte strugati površine kada imaju lijepljene masti jer im se boja raspada.
6. U slučaju opsežnog stvaranja plamena uzrokovanog mastima u rasipačima topline (plamenim cijevima) može doći do pogoršanja porculanske boje.
7. Ako model koji ste kupili ima odbačene roštilje, nemojte sipati hladnu vodu dok je još vruća jer se može slomiti.
8. Ne koristite kaustične tekućine ili sprejeve za čišćenje.
9. Pažljivo pročitajte upute!
10. Bilo kakva šteta uzrokovana nepoštivanjem gore navedenog ili nepoštivanjem potrebnog redovitog čišćenja neće biti pokrivena jamstvom.

**Безбедносне упутства**

Молимо вас да сачувате ова упутства за будућу употребу!  
ОВАЈ ГАСНИ ГРИЛ ЈЕ ДИЗАЈНИРАН САМО ЗА ВАНСКУ УПОТРЕБУ!

**УПОЗОРЕЊЕ: ЗА СИГУРНО И ПРАВИЛНО РАДЊЕ ПРОВЕРИТЕ ДА ЛИ СТЕ ПРИКЉУЧИЛИ ЈЕДНОСМЕРНИ РЕГУЛАТОР ПРИТИСКА (НИЈЕ УКЉУЧЕН).**

**Важно:**

**ПРОЧИТАЈТЕ СВЕ УПУТСТВА И ОПИСЕ РАДЊА ПРЕКОРЫСТАЊА ОВОГ УРЕЂАЈА. ПОШТУЈТЕ СВЕ КОРАКЕ ПО РЕДУ. НИКАДА НЕ ДОЗВОЛИТЕ ДЕЦИ ДА КОРИСТИ ОВАЈ УРЕЂАЈ.**

**Упозорења:**

Користити само на отвореном.

Прочитајте упутства пре коришћења уређаја.

Пристапни делови могу бити веома врући, држите малу децу даље.

Не померајте уређај током употребе.

Искључите довод гаса на боци после употребе.

Било каква измена уређаја може бити опасна.

Делове које је запломбио произвођач или његов агент не сме корисник мењати. Не мењајте уређај.

**Пажња:**

Неки делови овог уређаја постају веома врући, па будите нарочито опрезни када су у близини деца или старије особе.

**За вашу безбедност:**

Не складиштите или користите бензин, метилате или било које друге запаљиве испарења и течности у близини овог или било ког другог уређаја.

Никада не палите гасни роштиљ бензином или сличним течностима!

Предлог: корисник не би требало да мења склоп који је произвођач упаковао.

Неки продавци течног гаса могу напунити боце течног гаса за употребу у роштиљу изнад капацитета боце. Ово "препуњавање" може створити опасну ситуацију.

"Препуњавање" боца може довести до прекомерног притиска. Као безбедносни уређај, вентил за ослобађање притиска на боци ће испуштати гасне испарења како би ублажио овај вишак притиска. Ова испарења су запаљива и стога могу да се запале. Да бисте смањили ову опасност, требало би да предузмете следеће безбедносне мере:

А. Када пуните боцу, обавезно затражите од добављача да је напуни највише до 80% укупног капацитета.

В. Ако поседујете или користите додатни резервни боца, или имате искључену боцу, никада је не смете држати у близини или испод грил јединице или кутије за грејање, нити у близини било ког другог извора паљења или топлоте.

**Опасности:**

Ако осетите мирис гаса:

1. Искључите гас на уређају.
2. Угасите сваки отворени пламен.
3. Отворите поклопац.
4. Ако мирис траје, удаљите се од уређаја и позовите локалну ватрогасну службу.

Технички подаци				
<b>CE</b> 2531-26				
Модел	ВВQ6020	ВВQ6030	ВВQ6031	ВВQ6041
Основне спецификације	Гасни роштиљ са 2 горионика (без бочног горионика)	Гасни роштиљ са 3 горионика (без бочног горионика)	Гасни роштиљ са 3+1 горионика	Гасни роштиљ са 4+1 горионика
Димензије (цм)	Д108,5 × Ш57 × В102	Д120,5 × Ш58,5 × В103,5	Д122 × Ш57 × В112	Д132,5 × Ш57 × В112
Површина роштиља (цм)	Д48 × Ш42	Д60 × Ш42	Д60 × Ш42	Д70,5 × Ш42
Материјал роштиља	Ливени гвожђе			
Моћност	3 kW по горионику, укупно 6 kW	3 kW по горионику, укупно 9 kW	3 kW по горионику, бочни горионик 2,5 kW, укупно 11,5 kW	3 kW по горионику, бочни горионик 2,5 kW, укупно 14,5 kW
Тежина (кг)	29	21,5	29	34,5
Посебне карактеристике	2 бочне полице, 2 точка (ВВQ6020, ВВQ6030), 4 точка (ВВQ6031, ВВQ6041), термометар на поклопцу, подесив термостат, пиезо прекидач за паљење (ВВQ6020, ВВQ6030), аутоматско пиезо паљење (ВВQ6031, ВВQ6041), извадна посуда за масноћу, преклопне бочне полице (ВВQ6020), отвор за ражњеве (ВВQ6031, ВВQ6041)			
Регулатор и црево	Није укључено			

**УПОЗОРЕЊЕ: НИКАДА НЕ КОРИСТИТЕ АППАРАТ БЕЗ СТАБИЛНОГ РЕГУЛАТОРА ПРИТИСКА ГАСА (30 mbar).**

## Кораци монтаже

Уверите се да је ваш роштиљ правилно састављен. Детаљна упутства за монтажу прате сваки роштиљ и дају специфичне процедуре за монтажу за сваки модел. Пажљиво пратите ова упутства како бисте осигурали исправну и безбедну монтажу роштиља.

Опрез: Иако илажемо све напоре да процес монтаже буде што једноставнији, својствено је ливеним челичним деловима да њихови углови и ивице могу да изазову посекотине ако се неправилно рукова њима током монтаже. Будите опрезни при руковању свим деловима током монтаже. Снажно се препоручује да заштитите руке паром радних рукавица.

### Припрема

За рад овог гасног роштиља биће вам потребна боца са ЛПГ гасом и одговарајући регулатори притиска гаса. Регулатори треба да буду у складу са EN16129 у важећој верзији и националним прописима.

Погледајте ставку 6 за даље упутства.

Савети за уштеду енергије:

- Смањите време отварања поклопца.
- Искључите роштиљ чим се кување заврши.
- Загревајте гасни роштиљ само 10 до 15 минута. (Осим при првој употреби)
- Не загревајте дуже него што је препоручено.
- Не користите виши ниво подешавања него што је потребно.
- Прикључите црево и регулатор на боцу са гасом са леве стране гасног роштиља. Имајте на уму да боца са гасом мора бити удаљена од извора топлоте и постављена на безбедно место. Пречник црева је 8–10 мм. Препоручена дужина црева не сме прећи 1,5 м. Флексибилно црево треба да буде у складу са важећим стандардима и локалним прописима.

## Инсталација

Након куповине гасног боца, бићете спремни да је инсталирате на свој гасни роштиљ.

- При замени боце са гасом, то треба обавити далеко од било ког извора паљења. Поставите боцу са гасом на леву страну вашег гасног роштиља, не сме се стављати унутар роштиља, имајући у виду да боца мора бити удаљена од топлоте и у безбедном положају.
- Када сте спремни да користите гасни роштиљ, убаците регулатор у вентил боце са гасом и чврсто затегните.

Упозорење: Пре покушаја паљења гасног роштиља, морате погледати упутства за паљење и упозорења/безбедносне напомене.

Проверите црево пре сваке употребе, тражећи пукотине, посекотине или било какве огреботине. Ако се утврди да је црево на било који начин неисправно, не покушавајте да користите гасни роштиљ. Приликом замене боце са гасом уверите се да у близини нема извора паљења, тј. ватре, цигарета, големог пламена итд. Уверите се да је уређај искључен.

Побрините се да црево не буде изложено увијању, јер би то могло утицати на проток гаса приликом инсталације гасног роштиља. Такође, црево не сме бити претерано напето и не сме додиривати ниједан део гасног роштиља који може бити врућ.

- Молимо изаберите флексибилно црево чија је отпорност на топлоту већа од 80 °С.
- Флексибилна цев треба мењати на свака два године. Неопходно је заменити флексибилну цев када то захтевају национални прописи.

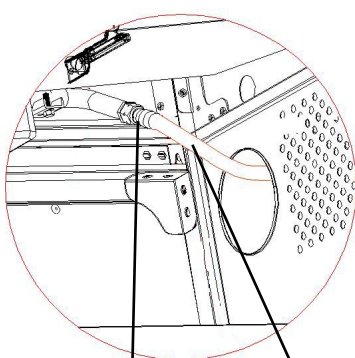
### Како да замените боцу

Напомена: Искључите вентил боце (није потребан кључ)

Висина гасног боца је испод 80 цм, а ширина је унутар 35 цм

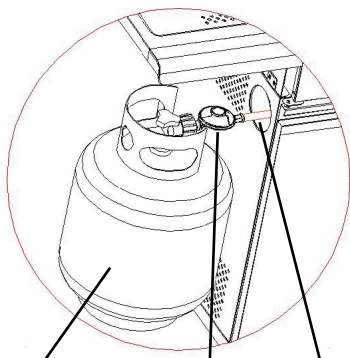
### Како повезати боцу са гасом

- Вртете наранџасти чеп тако да стрелица указује на отвор у заштитном поклопцу.
- Уклоните наранџасту заштитну капицу тако што ћете извући каиш, а затим капицу извући напоље. Не користите алате. Оставите капицу да виси.
- Проверите да ли је црна заптивна подлошка уграђена у вентил боце. Повежите регулатор на вентил.
- Окрните прекидач у смеру казаљке на боци са гасом, а затим укључите гасни роштиљ према упутствима.



Гасни прикључак

Црево



Гасни боца

Регулатор

Црево

\*За производ без гасног боца само у одељку.

Упозорење: Увек проверите цурење гасне цеви на конектор са сапунастом водом завршите све везе.

### Како одспојити боцу са гасом

- Осим за инсталације са два боца и прекидачким вентилом, затворите славину за гас ако је уграђена на уређај. Сачекајте да се горионик и пилот-пламен угасе. За инсталације са прекидачким вентилом довољно је искључити само празан боца.
- Ставите наранџасту заштитну капу на празан боца.

### Упозорења и безбедносне напомене

Молимо вас да прочитате следеће тачке пре коришћења вашег гасног роштиља:

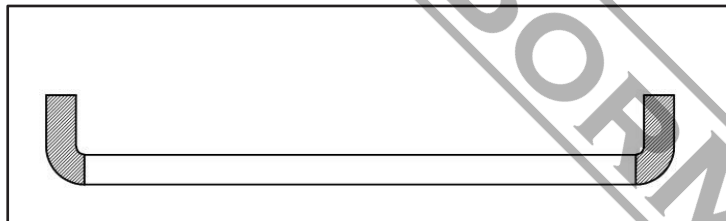
- Прочитајте упутства пре коришћења уређаја. Уколико упутства нису поштована, то може довести до проблема приликом коришћења.
- Приступни делови овог гасног роштиља могу бити веома врући током коришћења. Држите малу децу даље. Користите заштиту при руковању посебно врућим компонентама.
- У случају цурења гаса, искључите довод гаса на боци, угасите све отворене пламене, отворите поклопац и ако цурење настави, проверите да ли има оштећења, лоших веза итд. Одмах контактирајте свог локалног дистрибутера гаса ако не можете да решите проблем.
- Не померајте гасни роштиљ током коришћења.
- Не користите или складиштите било какве течности, испарења или друге материјале у близини приликом рада гасног роштиља.
- Овај гасни роштиљ је намењен искључиво за употребу на отвореном.
- Не користите голу ватру за проверу цурења гаса.
- Не користите гасни роштиљ ако постоји цурење гаса. Искључите довод гаса.
- Не покушавајте да одспојите било који део гасне арматуре док је ваш гасни роштиљ укључен, ни на самом роштиљу, ни на регулатору/боци.
- При руковању гасним роштиљем будите пажљиви; никада га не остављајте без надзора док је у употреби. Након употребе искључите довод гаса на боци.
- Гас грил треба очистити након употребе. Не запустајте отвор за ватру у одељку контејнера. Ако је отвор за ватру запушен, користите округлу штапић пречника 1,6 мм за чишћење.

Пазите да не увећате отворе на горионику или отвор/млазницу приликом чишћења горионика или вентила.

l) Не покушавајте да користите овај уређај у гаражи или било којем затвореном простору. Такође, овај уређај током коришћења мора бити удаљен од запаљивих материјала итд. Препоручујемо да одржавате удаљеност од најмање 0,5 до 1,0 метара од свих запаљивих материјала.

m) Препоручујемо да овај гасни роштиљ сервисира ваш локални продавац гаса најмање једном годишње, и то од стране овлашћеног сервисера. Не покушавајте сами да сервисирате овај уређај.

n) Свака измена уређаја може бити опасна. Не покушавајте неовлашћено да мењате главне контроле овог гасног роштиља, односно славине за гас, инјектора, вентиле итд.



**Упозорење:** Црно подручје ручке (погледајте слику за референцу) ће постати врућа када се гасни роштиљ користи, пазите! Не додирујте црно подручје.

### Безбедносне мере предострожности

- Увек проверите да ли из цевовода за гас цури на споју помоћу сапунице након повезивања.
- Горњи поклопац увек мора бити отворен при паљењу горионика.
- Користите кухињске рукавице и чврсте алатке за гасни роштиљ са дугим дршкама приликом кувања на роштиљу.
- Будите спремни у случају несреће или пожара. Знајте где се налазе апарат за прву помоћ и противпожарни апарати и како да их користите.
- Држите кабл за напајање и црево за довод горива даље од свих загрејаних површина.
- Увек кувајте са великом пажњом.
- Не загревајте на роштиљу ниједно затворено стаклено или метално паковање са храном. Притисак може порастати и довести до пуцања паковања, што може изазвати озбиљне повреде или оштећење роштиља.

### Упутство за употребу

Пажња: Када палите горионик, поклопац мора бити отворен!

Немојте стајати са лицем директно изнад гасног роштиља када га палите.

Ваш гасни роштиљ има следећи начин паљења:

Палилац за контролу гаса (главни горионик или главни горионик са помоћним гориоником): Када су сви регулатори гаса на гасном роштиљу у положају "OFF", отворите вентил боце са гасом на регулатору. Да бисте направили искру, морате да притиснете контролну ручку (A) и држите је у том положају 3–5 секунди да бисте омогућили проток гаса, а затим је окрените у смеру супротном казаљки на сату на "HIGH" (B). Може доћи до искре на цев за паљење горионика (C). Чућете "клик" од палвача и такође ћете видети наранџасте пламен који излази из цеви за паљење горионика са леве стране горионика (D).

Наставите да држите ручку контроле горионика притиснуту још две секунде након "кликта", како би гас у потпуности проток кроз цев горионика (E) и обезбедио паљење.

Када се горионик упали, суседни горионици ће се упалити један за другим када се њихови регулатори подесе на "HIGH".

На подешавања "High" пламен горионика треба да буде дужине око 12–20 мм са минималном количином наранџастог пламена. За минимално подешавање, окрените регулатор гаса у потпуности у смеру супротном казаљки на сату.

Уколико имате потешкоћа са паљењем гасног роштиља по горе наведеним корацима, обратите се вашем дилеру за савет.

Ако се аутоматско паљење не може користити, уклоните решетку за кување и дифузер топлоте (плочу за кување) и окрените вентил у смеру супротном казаљки на сату за 90° да бисте упалили роштиљ са упалачем на удаљености од 5 мм од отвора за пламен горионика. Вратите решетку за кување и дифузер топлоте (плочу за кување). Носите ватроотпорне рукавице отпорне на топлоту.

Упозорење: Ако се горионик и даље не упали, окрените дугме за контролу горионика на "OFF" и сачекајте 5 минута да се гас разиђе пре поновног паљења.

## Чување

Ваша боца са гасом мора да се складишти напољу, у добро проветреном простору, и мора да буде искључена са вашег гасног роштиља када се не користи. Уверите се да сте напољу и да сте далеко од било каквих извора паљења пре него што покушате да искључите боцу са гасом са вашег гасног роштиља.

Када користите гасни роштиљ након периода складиштења, пре употребе обавезно проверите да ли има цурења гаса и да ли постоје неке препреке у горионику итд. Такође, пратите упутства за чишћење како бисте осигурали безбедност гасног роштиља.

Ако се гасни роштиљ складишти напољу, проверите да ли су сви делови испод предњег панела слободни од свих препрека (инсеката итд.). Ово подручје мора бити слободно јер то може утицати на проток ваздуха за сагоревање или вентилацију.

## Упутства за чишћење

Препоручује се одржавање вашег гасног роштиља на сваких 90 дана, али је апсолутно неопходно да одржавање обавите најмање једном годишње. На тај начин ћете продужити век трајања вашег гасног роштиља.

Ваш гасни роштиљ се лако чисти уз минималан напор, само пратите ове корисне савете за лакше чишћење.

Отклањање кварова		
Проблем	Могући узрок	Превенција / Решење
Гас цури из пукотеног / исеченог / изгорелог црева.	Оштећен црев.	Искључите гас на вентилу ЛП резервоара, ако је црево пресечено или пукло, замените црево. Погледајте тест проводљивости ЛП резервоара и прикључите регулатор на ЛП.
Пропуштање гаса из вентила ЛП резервоара.	Механички квар услед неправилног одлагања или руковања.	Искључите вентил ЛП резервоара.
Гас цури из вентила ЛП резервоара.	Неисправност или квар вентила резервоара услед неправилног руковања или механичког оштећења	Затворите вентил ЛП резервоара. Вратите ЛП резервоар добављачу гаса.
Гас цури између везе резервоара за ЛП и регулатора	Неправилна инсталација, веза није чврста, квар гумене заптивке	Искључите вентил ЛП боце, уклоните регулатор са боце и визуелно прегледајте гумену заптивку ради оштећења, погледајте тест ЛП боце и повезивање регулатора на ЛП боцу
Ватра продире кроз контролну таблу	Пожар у делу цеви горионика због делимичног зачепљења	Искључите контролне ручке и вентил ЛП боца.  Након што се ватра угаси и роштиљ се охлади, уклоните горионик и прегледајте да ли има паукових гнезда или рђе; погледајте странице о природним опасностима и чишћењу склопа горионика.
Пожар од масноће или прекомерне пламенове изнад површине за кување	Прекомерно накупљање масти у зони горионика.	Искључите ЛП боца. Оставите поклопац отвореним да би пламен угасио. Након хлађења, очистите остатке хране и вишак масти из унутрашњости коморе за сагоревање, посуду/тепсију/трај за маст и друге површине
Горионик се неће упалити помоћу упаљивача.	Проблеми са гасом	
	1. Покушај паљења погрешног горионика	1. Погледајте упутства на контролној табли и одељак у упутству за употребу и одржавање.
	2. Горљивац није повезан са регулационим вентилом.	2. Уверите се да су вентили смештени унутар цеви горионика.
	3. Загушење у горионику.	3. Уверите се да цеви горионика нису зачепљене паутином или другим
	4. Нема протока гаса	4. Проверите да ли резервоар за ЛП није празан. Ако резервоар за ЛП није празан, погледајте одељак о наглим падовима протока гаса.
Горионик се неће упалити помоћу паљења.	Електрични проблеми	
	1. Електрода пукната или сломљена; искре на пукотини. 2. Врх електроде није у исправном положају 3. Жица и/или електрода су прекривени остацима хране. 4. Жице су лабаве или одвојене 5. Жице кратко спојне (искра) између паљача и електроде. 6. Дугме се заглављује у доњем делу, искре између паљења и електроде	1. Заменили електроду. 2. Врх електрода треба да буде усмерен ка отвору на горионику. Раздаљина треба да буде од 1/8" до 3/16". Подесите ако је потребно. 3. Очистите жицу и/или електроду алкохолем за трљање и чистом штапићем. 4. Поново прикључите жице или замените склоп електрода/жица. 5. Заменили жицу за паљење 6. Заменили упаљивач 7. Проверите изолацију жице и исправност повезивања. Заменили жице ако је изолација оштећена.
Горионик не одговара светлу	1. Погледајте "проблеми са гасом" изнад. 2. Неправилан метод упаљивања шибицом	1. Погледајте одељак "Пилот гасна контрола паљења" у упутству за употребу и одржавање.

Нагли пад протока гаса или слаб пламен	1. Накупљање масти. 2. Прекомерна количина масти у месу. 3. Превисока температура кувања	1. Очистите горионике и унутрашњост роштиља/ложишта 2. Уклоните вишак масти са меса пре печења на роштиљу. 3. Подесити (снизити) температуру
Пламен се гаси	Јаки или променљиви ветрови. Ниски ниво ЛП гаса. Вентил против прекомерног протока је активиран.	Усмерите предњи део роштиља према ветру или повећајте висину пламена. Напуните боцу са ЛП гасом. Погледајте горе наведено "нагло смањење протока гаса".
Упорни пожар од масти	Маст заробљена нагомилавањем хране око система за горионике.	Поставите ручке у положај OFF. Искључите гас на ЛП резервоару. Оставите поклопац у отвореном положају и пустите ватру да се угаси. Када се роштиљ охлади, уклоните и очистите све делове.
Флешбек (пожар у цеви горионика)	Горионик и цеви за горионике су зачепљени	Поставите ручке на OFF, очистите горионик и/или цеви горионика. Погледајте одељак за чишћење горионика у упутству за употребу и одржавање
Избијање пламена	1. Накупљање масти. 2. Прекомерна количина масти у месу. 3. Превисока температура кувања	1. Очистите горионике и унутрашњост роштиља/ложишта 2. Уклоните вишак масноће са меса пре печења на роштиљу. 3. Подесити (снизити) температуру
Немогуће је напунити ЛП резервоар	Неки дилери имају старије млазнице за пуњење са истрошеним навојем.	Истрошене млазнице немају довољан загриз да активирају вентил. Покушајте код другог дилера ЛП гаса.
Један горионик се не пали од других горионика	Накупљање масти или честица хране на крају преносне цеви	Очистите цев за пренос пламена жичаном четком

Ако ваш проблем није решен на основу горе наведених информација, обратите се вашем локалном дилеру гаса.

- Укључите горионик на 15 до 20 минута. Уверите се да је уређај хладан пре него што наставите.
- Решетке треба периодично чистити натапањем и прањем у сапунастој води.
- Унутрашње површине поклопца кућишта роштиља такође треба oprati топлом, сапуњавом водом. Користите жичану четку, челичну вуну или средство за чишћење да бисте уклонили упорне мрље.
- Периодично проверавајте горионик да бисте били сигурни да није зачепљен инсектима или пауцима који могу да запуше гасни систем и скрену ток гаса. Пажљиво очистите Вентури цеви на горионику и уверите се да нема препрека. Препоручујемо да употребите чистач цеви за чишћење подручја Вентури цеви.
- Сваки преправка овог уређаја може бити опасна и није дозвољена.

#### Безбедносни савети за гасни роштиљ

Поставите свој гасни роштиљ на сигурној, равnoj површини, далеко од запаљивих предмета као што су дрвене ограде или надвиснуле гране дрвећа. Никада не користите гасни роштиљ у затвореном простору!

Када се упали, не померајте гасни роштиљ и не остављајте га без надзора.

Држите децу и кућне љубимце на безбедној удаљености од гасног роштиља.

Имајте при руци апарат за гашење пожара.

Плински роштиљ ће се загрејати током коришћења, па поклопце и слично држите рукавицама.

Уверите се да је уређај потпуно охлађен пре складиштења.

Користити само на отвореном!

Прочитајте упутства пре коришћења гасног роштиља.

Приступни делови могу бити веома врући, држите малу децу даље!

Не померајте гасни роштиљ током коришћења.

Искључите довод гаса на резервоару након употребе.

Свака измена уређаја може бити опасна и није дозвољена.

Центар за одржавање: за одржавање производа обратите се локалним дилерима.

## Sigurnosne upute

Spremite ovaj priručnik s uputama za buduću upotrebu!  
**OVAJ PLINSKI ROŠTILJ DIZAJNIRAN JE SAMO ZA VANJSKU UPOTREBU!**

**UPOZORENJE: ZA SIGURAN I PRAVILAN RAD OBAVEZNO SPOJITE JEDNOSMJERNI REGULATOR TLAKA (NIJE UKLJUČEN).**

### Važan:

**PROČITAJTE SVE UPUTE I OPERACIJE PRIJE RADA OVE JEDINICE. SLIJEDITE SVE KORAKE PO REDU. NIKADA NE DOPUSTITE DJECI DA UPRAVLJAJU OVOM JEDINICOM.**

### Upozorenja:

Koristite samo na otvorenom.  
 Pročitajte upute prije uporabe uređaja.  
 Pristupačni dijelovi možda vrlo vrući, držite malu djecu podalje.  
 Ne pomičite uređaj tijekom uporabe.  
 Isključite dovod plina na plinskom cilindru nakon uporabe.  
 Svaka izmjena uređaja može biti opasna.  
 Korisnik ne smije mijenjati dijelove koje je zapečatio proizvođač ili njegov agent. Ne mijenjajte uređaj.

### Pažnja:

Neki dijelovi ovog uređaja postaju jako vrući, posebno pazite kada su prisutna djeca ili starije osobe.

### Radi vaše sigurnosti:

Nemojte skladištiti ili koristiti benzin ili metilirana goriva ili bilo koje druge zapaljive pare i tekućine u blizini ovog ili bilo kojeg drugog uređaja. Nikada ne palite plinski roštilj benzinom ili usporedivim tekućinama!  
 Prijedlog: korisnik ne bi trebao mijenjati sklop koji je proizvođač zapakirao.  
 Određeni trgovci tekućim plinom mogu napuniti boce s tekućim plinom za uporabu u roštilju izvan kapaciteta punjenja cilindra. Ovo "Prekomjerno punjenje" može stvoriti opasno stanje. Spremnici za "prekomjerno punjenje" mogu povećati višak tlaka. Kao sigurnosni uređaj, ventil za rasterećenje spremnika ispuštat će plinsku paru kako bi oslobodio ovaj višak tlaka. Ova para je zapaljiva i stoga se može zapaliti. Da biste smanjili tu opasnost, poduzmite sljedeće sigurnosne mjere opreza:

- Kada napunite spremnik, obavezno recite dobavljaču da ga napuni do najviše 80% ukupnog kapaciteta.
- Ako posjedujete ili koristite dodatni rezervni spremnik ili imate odspojeni spremnik, nikada ga ne biste trebali čuvati u blizini ili ispod roštilja ili toplinske kutije ili u blizini bilo kojeg drugog izvora paljenja ili topline.

### Opasnosti:

- Ako osjetite miris plina:
- Isključite plin iz uređaja
  - Ugasite svaki otvoreni plamen
  - Otvorite poklopac
  - Ako se miris nastavi, držite se podalje od aparata i nazovite lokalnu vatrogasnu službu

Tehnički podaci				
Model	BBQ6020	BBQ6030	BBQ6031	BBQ6041
Osnovna karakteristika	Plinski roštilj s 2 plamenika (bez bočnog plamenika)	Plinski roštilj s 3 plamenika (bez bočnog plamenika)	Plinski roštilj s 3+1 plamenikom	Plinski roštilj s 4+1 plamenikom
Dimenzije (cm)	D108,5 × Š57 × V102	D120,5 × Š58,5 × V103,5	D122 × Š57 × V112	D132,5 × Š57 × V112
Površina roštilja (cm)	D48 × Š42	D60 × Š42	D60 × Š42	D70,5 × Š42
Materijal za roštilj	Lijevano željezo			
Snaga	3 kW po plameniku, ukupna 6 kW	3 kW po plameniku, ukupno 9 kW	3 kW po plameniku, 2,5 kW bočni plamenik, ukupna 11,5 kW	3 kW po plameniku, 2,5 kW bočni plamenik, ukupna 14,5 kW
Težina (kg)	29	21,5	29	34,5
Specifične karakteristike	2 bočne police, 2 kotačića (BBQ6020, BBQ6030), 4 kotačića (BBQ6031, BBQ6041), termometar na poklopcu, podesivi termostat, piezo prekidač za paljenje (BBQ6020, BBQ6030), automatsko piezo paljenje (BBQ6031, BBQ6041), uklonjivi sakupljač masnoće, sklopive bočne police (BBQ6020), utor za ražanj za roštilj (BBQ6031, BBQ6041)			
Regulator i crijevo	Nije uključeno			

**UPOZORENJE: NIKADA NEMOJTE KORISTITI UREĐAJ BEZ STALNOG REGULATORA PLINA (30 mbar).**

## Koraci montaže

Provjerite je li vaš roštilj pravilno sastavljen. Detaljne upute za montažu pakirane su sa svakim roštiljem koji daje posebne postupke montaže za svaki model. Pažljivo slijedite ove upute kako biste osigurali ispravnu i sigurnu montažu roštilja.

**Oprez:** Iako ulažemo sve napore kako bismo osigurali da postupak montaže bude što jednostavniji, on je svojstven proizvedenim čeličnim dijelovima koji kutovi i obrubljeni mogu uzrokovati posjekotine ako se nepravilno rukuje tijekom postupaka montaže. Budite oprezni prilikom rukovanja bilo kojim dijelovima tijekom montaže. Preporučuje se da ruke zaštitite parom radnih rukavica.

### Priprema

Trebat će vam plinska boca LPG i odgovarajući regulatori pod tlakom plina za upravljanje ovim plinskim roštiljem. Regulatori bi trebali biti u skladu s EN16129 s trenutnom verzijom i nacionalnim propisima.

Za dalje upute pogledajte točku 6.

Savjeti za uštedu energije:

- Smanjite vrijeme otvaranja poklopca.
- Isključite roštilj čim kuhanje završi.
- Zagrijte plinski roštilj samo 10 do 15 minuta. (Osim za prvu uporabu)
- Ne zagrijavajte duže nego što je preporučeno.
- Ne koristite višu postavku od potrebne.
- Spojite crijevo i regulator na spremnik za plin s lijeve strane plinskog roštilja. Imajući na umu da se spremnik za plin mora držati podalje od topline i u sigurnom položaju. Dimenzija crijeva je promjera 8-10 mm. Preporučena duljina crijeva koja ne smije prelaziti 1,5 m. Fleksibilno crijevo treba biti u skladu s relevantnim standardnim i lokalnim kodom.

### Instalacija

Nakon kupnje plinske boce bit ćete spremni za postavljanje s plinskim roštiljem.

- Prilikom zamjene plinske boce ona se mora izvesti dalje od bilo kojeg izvora paljenja. Postavite plinski cilindar na lijevu stranu plinskog roštilja, ne smijete ga postavljati unutar roštilja, imajući na umu da se boca mora držati podalje od topline i u sigurnom položaju.
- Kada ste spremni za uporabu plinskog roštilja, umetnite regulator u ventil plinske boce i čvrsto zategnite.

Upozorenje: Prije nego što pokušate zapaliti plinski roštilj, morate pogledati upute za osvjetljenje i točke upozorenja / sigurnosti.

Provjerite crijevo prije svake uporabe, tražeći pucanje, posjekotine ili ogrebotine. Ako se utvrdi da je crijevo na bilo koji način neispravno, ne pokušavajte koristiti svoj plinski roštilj. Prilikom promjene plinske boce osigurava se da u blizini nema izvora paljenja, odnosno požara, cigareta, golog plamena itd. Provjerite je li uređaj isključen.

Pazite da crijevo nije podvrgnuto uvijanju što će utjecati na protok plina prilikom ugradnje plinskog roštilja. Također, crijevo ne smije imati nepotrebnu napetost i ne smije dodirivati bilo koji dio plinskog roštilja koji može biti vruć.

- Odaberite fleksibilno crijevo čija je otpornost na toplinu viša od 80°C.
- Fleksibilnu cijev treba mijenjati svake 2 godine. Potrebno je promijeniti fleksibilnu cijev kada to zahtijevaju nacionalni uvjeti.

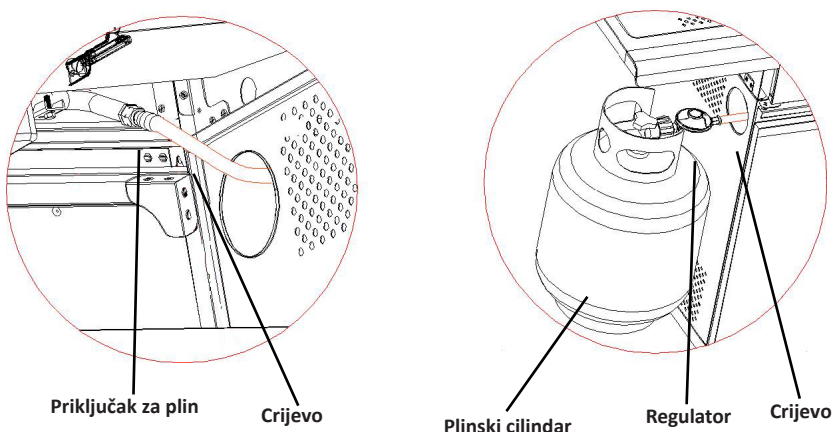
### Kako promijeniti cilindar

Napomena: Isključite prekidač cilindra (nije potreban ključ)

Visina plinskog cilindra je ispod 80 cm, a širina unutar 35 cm

### Kako spojiti plinsku bocu

- Okrenite narančastu kapu tako da strelica pokazuje na razmak u pokrovu.
- Uklonite narančastu sigurnosnu kapu izvlačenjem uzice, a zatim van. Ne koristite alate. Ostavite kapu na cjedilu.
- Provjerite je li crna brtvena podloška ugrađena unutar ventila cilindra. Spojite regulator na ventil.
- Okrenite prekidač u smjeru kazaljke na satu na plinskoj boci, a zatim uključite plinski roštilj prema uputama.



\*Samo za proizvod bez odjeljka za plinske boce.

Upozorenje: Uvijek testirajte plinski vod na curenje na priključku sa sapunskom vodom koja završava sve priključke.

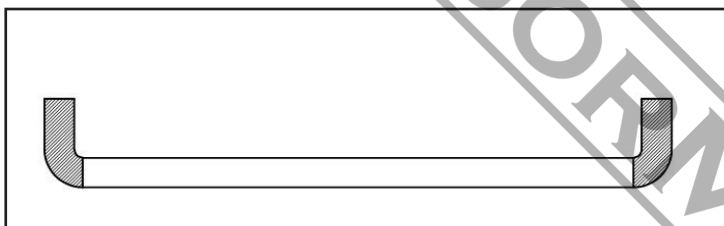
### Kako odvojiti plinsku bocu

- Osim dvocilindričnih instalacija s ventilom za prebacivanje, isključite slavinu za plin ako je ugrađena na uređaj. Pričekajte dok se plamenik i kontrolno svjetlo ne ugase. Za instalacije s ventilom za prebacivanje potrebno je samo isključiti prazan cilindar.
- Zamijenite narančastu sigurnosnu kapu na prazan cilindar.

### Točke upozorenja i sigurnosti

Prije upotrebe plinskog roštilja pročitajte sljedeće točke:

- Pročitajte upute prije uporabe uređaja. Ako se ne poštuju upute, to može uzrokovati probleme u uporabi.
  - Ovaj plinski roštilj pristupačni dijelovi možda vrlo vrući kada se koriste. Držite malu djecu podalje. Koristite zaštitne pri rukovanju posebno vrućim komponentama.
  - U slučaju curenja plina, Isključite dovod plina na plinskoj boci, ugase otvoreni plamen, otvorite poklopac i ako se curenje nastavi, provjerite ima li oštećenja, loših priključaka itd. Ako se problem ne može riješiti, odmah se obratite lokalnom prodavaču plina.
  - Ne pomičite plinski roštilj tijekom uporabe.
  - Prilikom rada s plinskim roštiljem nemojte koristiti niti skladištiti tekućine, pare ili druge materijale u blizini.
  - Ovaj plinski roštilj koristi se samo na otvorenom.
  - Ne koristite goli plamen za provjeru curenja plina.
  - Ne koristite plinski roštilj ako dođe do curenja plina. Isključite dovod plina.
  - Ne pokušavajte odvojiti bilo koji dio za plinsku armaturu ako se koristi vaš plinski roštilj, na plinskom roštilju ili regulatoru / boci plina.
  - Preporučuje se njega prilikom rada s plinskim roštiljem, nikada ne smijete ostaviti bez nadzora kada se koristite. Isključite dovod plina u spremniku za plin nakon uporabe.
  - Plinski roštilj treba očistiti nakon uporabe. Ne ometajte protupožarni otvor kontejnerskog odjeljka. Ako je protupožarni otvor blokiran, za bageriranje koristite okrugli štapić od  $\phi 1,6$  mm.
- Pri čišćenju plamenika ili ventila pazite da prilikom čišćenja plamenika ili ventila ne povećate otvore plamenika ili otvora otvora za otvore.
- Ne pokušavajte koristiti ovaj uređaj u garaži ili bilo kojem zatvorenom prostoru. Također, ovaj uređaj mora biti podalje od zapaljivih materijala tijekom uporabe itd. Preporučujemo da držite razmak od najmanje 0,5 do 1,0 metra od zapaljivih materijala.
  - Preporučujemo da ovaj plinski roštilj barem jednom godišnje servisira vaše lokalno prodajno mjesto za plin. Ne pokušavajte sami servisirati ovaj uređaj.
  - Svaka izmjena uređaja može biti opasna. Ne pokušavajte neovlašteno ometati glavne kontrole na ovom plinskom roštilju, odnosno slavine za plin, brizgaljke, ventile itd.



**UPOZORENJE:** Crno područje ručke (pogledajte gornju sliku za referencu) postat će vruće kada se plinski roštilj koristi, **BUDITE OPREZNI!** Ne dirajte crno područje.

### Sigurnosne mjere opreza

- Uvijek testirajte plinske vodove na curenje na priključku sa sapunastom vodom nakon spajanja.
- Gornji poklopac mora uvijek biti otvoren prilikom paljenja plamenika.
- Prilikom kuhanja na roštilju koristite rukavice za pećnicu i čvrste plinske alate s dugom ručkom.
- Budite spremni ako dođe do nesreće ili požara. Znajte gdje su pribor za prvu pomoć i aparati za gašenje požara i znajte kako ih koristiti.
- Držite bilo koji kabel za napajanje električnom energijom i crijevo za dovod goriva dalje od bilo kakvih zagrijanih površina.
- Uvijek kuhajte s velikom pažnjom.
- Ne zagrijavajte neotvorenu staklenu ili metalnu posudu s hranom na roštilju. Pritisak se može povećati i uzrokovati pucanje spremnika, što može rezultirati serijskim osobnim ozljedama ili oštećenjem roštilja.

### Upute za uporabu

**Oprez:** Poklopac mora biti otvoren prilikom paljenja plamenika!

Nemojte stajati licem izravno preko plinskog roštilja kada ga palite.

Vaš plinski roštilj imat će sljedeći način paljenja:

Pilot plinsko kontrolno paljenje (Glavni plamenik ili glavni plamenik s bočnim plamenikom): Sa svim kontrolama plina na plinskom roštilju u položaju "OFF" "OFF", okrenite plinski cilindar ventil u položaj za uključivanje na regulatoru. Da biste stvorili iskru, morate pritisnuti kontrolni gumb (A) i držati ga u tom položaju 3-5 sekundi kako biste omogućili protok plina, a zatim okrenuti u smjeru suprotnom od kazaljke na satu na "HIGH" (B). Može zaiskriti na cijevi za osvjetljenje plamenika (C). Čut ćete "pucketanje" iz upaljača, a vidjet ćete i narančasti plamen koji dolazi iz cijevi za osvjetljenje plamenika na lijevoj strani plamenika (D).

Nastavite držati kontrolni gumb plamenika dvije sekunde nakon "pucanja", što će omogućiti da plin potpuno teče niz cijev plamenika (E) i osigura paljenje.

Kada se plamenik zapali, susjedni plamenici će prijeći svjetlo kada su njihove kontrole okrenute na "VISOKO"

Pri postavljanju "Visokog" plamen plamenika trebao bi biti dugačak oko 12-20 mm s najmanje narančastog plamena. Okrenite kontrolu plina u potpunosti u smjeru suprotnom od kazaljke na satu za minimalno podešavanje.

Ako imate poteškoća s paljenjem plinskog roštilja slijedeći gore navedene korake, obratite se prodavaču za savjet.

Ako se automatsko paljenje ne može koristiti, izvadite roštilj za kuhanje i difuzor topline (ploča za kuhanje), a ventil okrenite u smjeru suprotnom od kazaljke na satu na 90 °C na svjetlo pomoću upaljača za roštilj u udaljenosti od 5 mm do rupe za požar plamenika. Zamijenite roštilj za kuhanje i difuzor topline (ploču za kuhanje), nosite vatrootporne rukavice otporne na toplinu.

Upozorenje: Ako plamenik i dalje ne svijetli, uključite kontrolni gumb plamenika "OFF" i pričekajte 5 minuta da se plin očisti prije ponovnog paljenja.

## Uskladištenje

Vaša plinska boca mora biti pohranjena na otvorenom u dobro prozračenom prostoru i mora biti isključena s plinskog roštilja kada se ne koristi. Prije nego što pokušate odvojiti plinsku bocu od plinskog roštilja, provjerite jeste li na otvorenom i udaljeni od izvora paljenja.

Kada koristite plinski roštilj nakon razdoblja skladištenja, provjerite ima li curenja plina i prije upotrebe provjerite ima li prepreka u plameniku itd. Također slijedite upute za čišćenje kako biste bili sigurni da je plinski roštilj siguran.

Ako se plinski roštilj čuva na otvorenom, provjerite jesu li sva područja ispod prednje ploče slobodna od bilo kakvih prepreka (insekti itd.) Ovo područje mora biti slobodno jer to može utjecati na protok zraka za izgaranje ili ventilaciju.

## Upute za čišćenje

Održavanje se preporučuje svakih 90 dana za vaš plinski roštilj, ali je apsolutno potrebno održavati najmanje jednom godišnje. Na taj ćete način produžiti vijek trajanja vašeg plinskog roštilja.

Vaš plinski roštilj lako se čisti uz minimalan napor, samo slijedite ove korisne savjete za praktičnost čišćenja.

Rješavanje problema		
Hitne slučajeve	Mogući uzrok	Prevenција/ Rješenje
Plin curi iz napuknutog / izrezanog / spaljenog crijeva.	Oštećeno crijevo.	Isključite plin u spremniku LP-a, ako su motike izrezane ili napuknute, zamijenite crijevo. Pogledajte ispitivanje olova spremnika LP i regulator spajanja na LP.
Plin curi iz ventila LP spremnika.	Mehanički kvar zbog odmora ili lošeg rukovanja.	Isključite ventil LP spremnika.
Plin curi iz ventila LP spremnika.	Kvar ili ventil spremnika od pogrešnog rukovanja ili mehaničkog kvara.	Isključite ventil LP spremnika. Vratite spremnik LP-a dobavljaču plina.
Istjecanje plina između spremnika LP i priključka regulatora.	Nepravilna ugradnja, priključak nije čvrst, kvar gumene brtve.	Isključite ventil spremnika LP-a, uklonite regulator iz cilindra i vizualno pregledajte oštećenja gumene brtve, pogledajte ispitivanje spremnika LP-a i regulator spajanja na spremnik LP-a.
Vatra dolazi kroz upravljačku ploču.	Požar u dijelu plamenika zbog djelomične blokade.	Isključite upravljačke gumbе i ventil LP spremnika. Nakon što se vatra ugasi i roštilj ohladi, uklonite plamenik i pregledajte ima li gnijezda pauka ili hrđe, pogledajte prirodnu opasnost i očistite stranice za montažu plamenika.
Podmažite vatru ili prekomjerni plamen iznad površine za kuhanje.	Previše nakupljanja masti u području plamenika.	Isključite LP spremnik. Ostavite poklopac otvoren kako bi se plamen ugasio. Nakon hlađenja očistite čestice hrane i višak masnoće iz područja ložišta, šalice za masnoću / tave / pladnja i drugih površina.
Plamenik neće svijetliti pomoću upaljača.	Problemi s plinom	
	1. Pokušaj paljenja pogrešnog plamenika.	1. Pogledajte upute na upravljačkoj ploči i odjeljku u odjeljku Uporaba i njega.
	2. Plamenik nije uključen u upravljački ventil.	2. Provjerite jesu li ventili smješteni unutar cijevi plamenika.
	3. Opstrukcija u plameniku.	3. Osigurajte da cijevi plamenika nisu začepljene paukovim mrežama ili drugim stvarima.
Plamenik neće svijetliti pomoću upaljača.	4. Nema protoka plina.	4. Pazite da LP spremnik nije prazan. Ako spremnik LP-a nije prazan, pogledajte nagli pad protoka plina.
	Električni problemi	
Plamenik neće svijetliti pomoću upaljača.	1. Elektroda napukla ili slomljena;" iskre na pukotini."	1. Zamijenite elektrodu.
	2. Vrh elektrode nije u ispravnom položaju	2. Vrh elektrode trebao bi biti usmjeren prema otvoru u plameniku. Udaljenost bi trebala biti 1/8" do 3/16". Po potrebi prilagodite.
	3. Žica i/ili elektroda prekrivene ostacima kuhanja.	3. Očistite žicu i ili elektrodu alkoholom za trljanje i očistite bris.
	4. Žice su labave ili odspojene	4. Ponovno spojite žice ili zamijenite sklop elektroda/žice.
	5. Žice su kratke (iskreće) između upaljača i elektrode.	5. Zamijenite žicu za paljenje.
	6. Pritisnite tipke na dnu koje svjetlucaju između upaljača i elektrode.	6. Zamijenite upaljač.
Plamenik neće odgovarati svjetlu.	Pogledajte "problemi s plinom;" na prethodnoj stranici. 2. Nepravilna metoda rasvjete šibice.	7. Pregledajte izolaciju žice i pravilno spajanje. Zamijenite žice ako je izolacija slomljena.
		1. Pogledajte odjeljak uporabe i njega "Pilot Gas Control Paljenje".

Nagli pad protoka plina ili nizak plamen	1. Nakupljanje masti. 2. Prekomjerna masnoća u mesu. 3. Prekomjerna temperatura kuhanja	1. Očistite plamenike i unutrašnjost roštilja / ložišta. 2. Odrežite masnoću od mesa prije pečenja. 3. Podesite (nižu) temperaturu.
Plamen se ugasio	Jaki ili udarni vjetrovi. Nedostaje LP plina. Ventil viška protoka se aktivirao.	Okrenite prednji dio roštilja prema vjetru ili povećajte visinu plamena. Napunite spremnik LP-a. Pogledajte gore navedeni "nagli pad protoka plina".
Trajna masna vatra	Mast zarobljena nakupljanjem hrane oko sustava plamenika.	Uključite gumb na ISKLJUČENO. Isključite plin u spremniku LP-a. Ostavite poklopac na mjestu i pustite da vatra izgori. Nakon što se roštilj ohladi, uklonite i očistite sve dijelove.
Flashback (vatra u cijevima plamenika)	Cijevi plamenika i plamenika su blokirane.	Okrenite gumb na ISKLJUČENO, očistite cijevi plamenika i/ili plamenika. Pogledajte odjeljak za čišćenje plamenika u priručniku za uporabu i njegu.
Tvrdoглаva vatra zbog masti	1. Nakupljanje masti. 2. Prekomjerna masnoća u mesu. 3. Prekomjerna temperatura kuhanja.	1. Očistite plamenike i unutrašnjost roštilja / ložišta. 2. Odrežite masnoću od mesa prije pečenja. 3. Podesite (nižu) temperaturu.
Nije moguće napuniti spremnik LP-a	Neki trgovci imaju starije mlaznice za punjenje istrošenim nitima.	Okrenite istrošene mlaznice nemaju dovoljno "ugriza" za uključivanje ventila. Pokušajte s drugim distributerom LP-a.
Jedan plamenik ne svijetli iz drugih izgaranja	Nakupljanje masti ili čestice hrane na kraju cijevi za nošenje.	Očistite cijev za prijenos žičanom četkom.

Ako vaš problem nije riješen iz gore navedenih podataka, obratite se lokalnom prodavaču plina.

- Uključite plamenik 15 do 20 minuta. Prije nastavka provjerite je li uređaj hladan.
- Rešetke treba povremeno čistiti namakanjem i pranjem u sapunici.
- Unutarnje površine poklopca kućišta roštilja također treba oprati vrućom, sapunastom vodom. Koristite žičanu četku, čeličnu vunu ili jastučić za ribanje kako biste uklonili tvrdokorna mjesta.
- Povremeno provjeravajte plamenik kako biste vidjeli da nema insekata i pauka koji mogu začepiti plinski sustav, odbijajući protok plina. Pobrinite se da pažljivo očistite venturi cijevi na plameniku, pazite da nema prepreka. Preporučujemo da za čišćenje područja cijevi Venturi koristite sredstvo za čišćenje cijevi.
- Sve preinake ovog uređaja mogu biti opasne i nisu dopuštene.

#### Sigurnosni savjeti za plinski roštilj

Postavite plinski roštilj na sigurnu ravnu površinu, dalje od zapaljivih predmeta poput drvenih ograda ili nadvišenih grana drveća. Nikada ne koristite plinski roštilj u zatvorenom prostoru!

Nakon paljenja ne pomičite plinski roštilj niti ga ostavljajte bez nadzora.

Držite djecu i kućne ljubimce na sigurnoj udaljenosti od plinskog roštilja.

Držite aparat za gašenje požara pri ruci.

Plinski roštilj postat će vruć kada se koristi, pa rukujte poklopcima itd. uz pomoć rukavica.

Prije skladištenja provjerite je li se uređaj potpuno ohladio.

Koristite samo na otvorenom!

Pročitajte upute prije uporabe plinskog roštilja.

Procijenjeni dijelovi mogu biti vrlo vrući, držite malu djecu podalje!

Ne pomičite plinski roštilj tijekom uporabe.

Isključite dovod plina u spremniku za plin nakon uporabe.

Svaka preinaka uređaja može biti opasna i nije dopuštena.

Centar za održavanje: molimo vas da odete lokalnim trgovcima na održavanje proizvodnje.

**FIGYELMEZTETÉS**  
**FONTOS MEGJEGYZÉS**

1. A biztonságos és megfelelő működés érdekében csak háztartási használatra szánt, biztonsági szeleppel ellátott LPG-palackokat használjon. Ezenkívül a 30 mbar-os alacsony nyomású szabályozót (nem állítható) csatlakoztassa a palack szelepéhez és az LPG-készülékekhez való speciális tömlőhöz, ügyelve arra, hogy ne legyen szivárgás vagy sérülés a körben.
2. A nyomásszabályozó menete balra forog.
3. Soha és semmilyen körülmények között ne hagyja felügyelet nélkül a grillsütőt.
4. Ha nagy lángok keletkeznek, amelyek nem alábbhagynak, zárja el a gázpalackot. Ha hagyja égni a tüzet, a grill festéke megéghet. Minden bemelegítés előtt tisztítsa meg a zsírgyűjtőt, a hőelvezetőket (lángcsillapítókat) és a grill többi részét a zsírtól, mert azok meggyulladhatnak és tönkretelhetnek a grillt.
5. A hőelvezetőket (lángcsillapítókat) minden használat után meg kell tisztítani, a zsírgyűjtő tálcát pedig mosogatószerrel forró vízbe kell meríteni. Ne kaparja le a felületeket, ha azokhoz zsír ragadt, mert a festék megsérülhet.
6. Ha a hőelvezetőkben (lángcsillapító csövekben) a zsír miatt nagy lángok keletkeznek, a porcelánfesték megsérülhet.
7. Ha a megvásárolt modell levehető rácsokkal rendelkezik, ne öntsön hideg vizet rá, amíg még forró, mert eltörhet.
8. Ne használjon maró folyadékokat vagy tisztító spray-eket.
9. Gondosan olvassa el a használati utasítást!
10. A fenti utasítások be nem tartása vagy a szükséges rendszeres tisztítás elmulasztása miatt bekövetkezett károk nem tartoznak a jótállás hatálya alá.

**ADVERTENCIA**  
**AVISO IMPORTANTE**

1. Para un funcionamiento seguro y adecuado, utilice únicamente bombonas de GLP destinadas al uso doméstico y equipadas con una válvula de seguridad. Además, debe conectar el regulador de baja presión de 30 mbar (no ajustable) a la válvula de la bombona y a la manguera especial para aparatos de GLP, asegurándose de que no se produzcan fugas ni daños en el circuito.
2. La rosca del regulador de presión es antihoraria.
3. Nunca, bajo ninguna circunstancia, deje la barbacoa desatendida.
4. Si se producen muchas llamas que no se apagan por sí solas, cierre la botella de gas. Si deja que el fuego arda, existe la posibilidad de que se queme la pintura de la parrilla. Antes de cada calentamiento, debe haber limpiado el recogedor de grasa, los disipadores de calor (amortiguadores de llama) y el resto de la parrilla de restos de grasa, ya que pueden inflamarse y destruir la parrilla.
5. Los disipadores de calor (amortiguadores de llama) deben limpiarse después de cada uso, al igual que la bandeja colector de grasa, sumergiéndolos en agua caliente con detergente lavavajillas. No raspe las superficies cuando tengan grasa adherida, ya que la pintura se deteriora.
6. En caso de que se produzcan llamas intensas causadas por la grasa en los disipadores de calor (tubos de llama), podría producirse un deterioro del esmalte porcelánico.
7. Si el modelo que ha adquirido tiene parrillas desmontables, no vierta agua fría cuando aún estén calientes, ya que podrían romperse.
8. No utilice líquidos cáusticos ni sprays de limpieza.
9. ¡Lea atentamente las instrucciones!
10. Cualquier daño causado por el incumplimiento de lo anterior o por no realizar la limpieza periódica necesaria no estará cubierto por la garantía.

## Biztonsági utasítások

Kérjük, őrizze meg ezt a használati utasítást a későbbi felhasználáshoz!  
**EZ A GÁZGRILL KIZÁRÓLAG KÜLTÉRI HASZNÁLATRA KÉSZÜLT!**

**FIGYELMEZTETÉS: A BIZTONSÁGOS ÉS MEGFELELŐ MŰKÖDÉS ÉRDEKÉBEN GONDOSKODJON EGY EGYIRÁNYÚ NYOMÁSSZABÁLYOZÓ (NEM TARTOZÉK) CSATLAKOZÁSÁRÓL.**

### Fontos

**A KÉSZÜLÉK MEGHATÁROZOTT MÓDON KELL HASZNÁLNI. A GYÁRTÓ ÁLTAL MEGHATÁROZOTT MÓDON KELL HASZNÁLNI.**

### Figyelmeztetések:

Kizárólag kültéren használja.

A készülék használata előtt olvassa el az utasításokat.

A hozzáférhető alkatrészek nagyon forróak lehetnek, tartsa távol a kisgyermeket.

A készüléket használat közben ne mozgassa.

Használat után zárja el a gázpalack gázellátását.

A készülék bármilyen módosítása veszélyes lehet.

A gyártó vagy annak képviselője által lezárt alkatrészeket a felhasználó nem módosíthatja. Ne módosítsa a készüléket.

### Figyelem:

A készülék egyes alkatrészei nagyon felforrósodnak, ezért gyermekek és idősek jelenlétében különös óvatossággal járjon el.

### Az Ön biztonsága érdekében:

Ne tároljon és ne használjon benzint, metil-alkoholt vagy más gyúlékony gőzöket és folyadékokat a készülék közelében vagy más készülékek közelében.

Soha ne gyújtson gázgrillt benzinnel vagy hasonló folyadékokkal!

Javaslat: a felhasználó ne változtassa meg a gyártó által csomagolt szerelvényeket.

Egyes folyékony gázfalgalmazók a grillsütőben való használatra a palackok töltési kapacitását meghaladó mennyiségű folyékony gázt tölthetnek a palackokba. Ez a „túl töltés” veszélyes helyzetet teremthet. A „túl töltött” tartályokban túlnyomás alakulhat ki. Biztonsági berendezésként a tartályok nyomáscsökkentő szelepe a gőzöket kiengedi, hogy a túlnyomás csökkenjen. Ezek a gőzök gyúlékonyak, ezért meggyulladhatnak. A veszély csökkentése érdekében vegye figyelembe az alábbi biztonsági óvintézkedéseket:


A. Ha a tartályt feltöltötte, feltétlenül kérje meg a szállítót, hogy ne töltsen meg a teljes kapacitás 80%-ánál többet.

B. Ha Önnek van vagy használ extra tartalék tartályt, vagy van egy leválasztott tartályt, azt soha ne tárolja a grillkészülék vagy a hődoboz közelében vagy alatt, illetve más gyúlékony vagy hőforrás közelében.

### Veszélyek:

Ha gázzagot érez:

1. Zárja el a készülék gázellátását
2. Oltson el minden nyílt lángot
3. Nyissa ki a fedelet
4. Ha a szag továbbra is fennáll, tartsa távol a készüléket és hívja a helyi tűzoltóságot.

Műszaki adatok				
				
Modell	BBQ6020	BBQ6030	BBQ6031	BBQ6041
Alapvető jellemzők	2 égőfejű gázgrill (oldalsó égőfej nélkül)	3 égőfejű gázgrill (oldalsó égőfej nélkül)	3+1 égőfejű gázgrill	4+1 égőfejű gázgrill
Méret (cm)	H108,5 × Sz57 × M102	H120,5 × Sz58,5 × M103,5	H122 × Sz57 × M112	H132,5 × Sz57 × M112
Grillfelület (cm)	H48 × Sz42	H60 × Sz42	H60 × Sz42	H70,5 × Sz42
Grill anyag	Öntöttvas			
Teljesítmény	3 kW égőnként, teljes 6 kW	3 kW égőnként, teljes 9 kW	3 kW égőnként, 2,5 kW oldalsó égő, teljes 11,5 kW	3 kW égőnként, 2,5 kW oldalsó égő, teljes 14,5 kW
Súly (kg)	29	21,5	29	34,5
Különleges jellemzők	2 oldalsó polc, 2 kerék (BBQ6020, BBQ6030), 4 kerék (BBQ6031, BBQ6041), hőmérő a fedélen, állítható termosztát, piezo-gyújtókapcsoló (BBQ6020, BBQ6030), automatikus piezo-gyújtás (BBQ6031, BBQ6041), kivehető zsírgyűjtő, összecusukható oldalsó polcok (BBQ6020), grillnyárs-tartó (BBQ6031, BBQ6041)			
Szabályozó és tömlő	Nem tartalmazza			

**FIGYELMEZTETÉS: SOHA NE HASZNÁLJA A KÉSZÜLÉKET STABIL GÁZSZELŐSZELEP (30 mbar) NÉLKÜL.**

## Szerelési lépések

Győződjön meg arról, hogy a grill megfelelően van összeszerelve. Minden grillhez részletes szerelési utasítás tartozik, amely tartalmazza az egyes modellek szerelési eljárását. Kövesse gondosan az utasításokat a grill helyes és biztonságos összeszerelése érdekében.

**Figyelem:** Noha minden tőlünk telhetőt megteszünk annak érdekében, hogy az összeszerelés a lehető legkönnyebb legyen, a gyártott acél alkatrészeknél előfordulhat, hogy a sarkok és élek az összeszerelés során nem megfelelő kezelés esetén vágásokat okozhatnak. Az összeszerelés során az alkatrészekkel óvatosan bánjon. Erősen ajánlott, hogy kezeit munkakesztyűvel védje.

### Előkészítés

A gázgrill működéséhez LPG gázpalackra és a gáznyomásnak megfelelő szabályozókra van szükség. A szabályozóknak meg kell felelniük az EN16129 szabványnak és a hatályos nemzeti előírásoknak.

További utasításokat lásd a 6. pontban.

Energiatakarékossági tippek:

- Csökkenesse a fedél nyitva tartási idejét.
- A főzés befejezése után azonnal kapcsolja ki a grillsütőt.
- A gázgrillt csak 10-15 percig melegítse elő. (Az első használat kivételével)
- Ne melegítse elő az ajánltnál hosszabb ideig.
- Ne használjon a szükségesnél magasabb beállítást.
- Csatlakoztassa a tömlőt és a szabályozót a gázgrill bal oldalán található gázpalackhoz. Ne feledje, hogy a gázpalackot hőtől távol, biztonságos helyen kell tartani. A tömlő átmérője 8-10 mm. A tömlő ajánlott hossza nem haladhatja meg az 1,5 m-t. A rugalmas tömlőnek meg kell felelnie a vonatkozó szabványoknak és helyi előírásoknak.

## Telepítés

A gázpalack megvásárlása után készen áll a gázgrill felszerelésére.

a) A gázpalack cseréjét gyújtóforrástól távol kell elvégezni. Helyezze a gázpalackot a gázgrill bal oldalára, ne tegye a barbecue belsejébe, és ügyeljen arra, hogy a palack ne kerüljön hőhatás alá, és biztonságos helyen legyen.

b) Ha készen áll a gázgrill használatára, helyezze be a szabályozót a gázpalack szelepébe, és szorosan rögzítse.

**Figyelem:** A gázgrill bekapcsolása előtt olvassa el a bekapcsolási utasításokat és a figyelmeztetéseket/biztonsági előírásokat.

Minden használat előtt ellenőrizze a tömlőt, hogy nincs-e rajta repedés, vágás vagy kopás. Ha a tömlő bármilyen hibásnak tűnik, ne próbálja meg használni a gázgrillt. A gázpalack cseréjekor ügyeljen arra, hogy a közelben ne legyenek gyúlékony anyagok, pl. tűz, cigaretta, nyílt láng stb. Győződjön meg arról, hogy a készülék ki van kapcsolva.

A gázgrill felszerelésekor ügyeljen arra, hogy a tömlő ne csavarodjon meg, mert ez befolyásolná a gáz áramlását. A tömlő nem lehet túl feszes, és nem érintkezhet a gázgrill forró részeivel.

- Kérjük, válasszon olyan rugalmas tömlőt, amelynek hőállósága meghaladja a 80 °C-ot.
- A rugalmas csövet 2 évente cserélni kell. A rugalmas csövet akkor is cserélni kell, ha az országos előírások ezt megkövetelik.

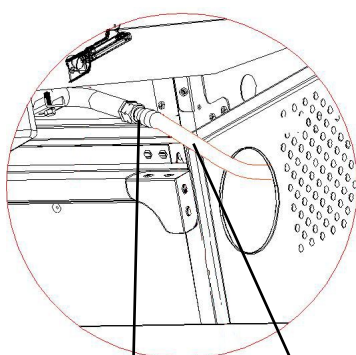
### A palack cseréje

Megjegyzés: Kapcsolja ki a henger kapcsolóját (nincs szükség csavarkulcsra).

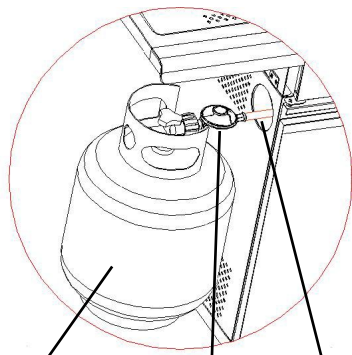
A gázpalack magassága 80 cm alatt, szélessége 35 cm alatt van.

### A gázpalack csatlakoztatása

- Forgassa el a narancssárga kupakot úgy, hogy a nyíl a burkolat nyílására mutasson.
- Húzza ki a narancssárga biztonsági kupakot a zsinór kihúzásával, majd vegye le. Ne használjon szerszámot. Hagyja a kupakot lógni.
- Ellenőrizze, hogy a fekete tömítő alátét be van-e helyezve a henger szelepébe. Csatlakoztassa a szabályozót a szelephez.
- Forgassa el a kapcsolót a gázpalack irányába, majd a gázgrillt az utasításoknak megfelelően kapcsolja be.



Gázcsatlakozó Tömlő



Gázpalack Szabályozó Tömlő

\*Csak a gázpalack nélküli termékre vonatkozik tartóval.

**Figyelem:** Mindig ellenőrizze a gázvezeték szivárgását a csatlakozónál szappanos vízzel, és minden csatlakozást végezzen el.

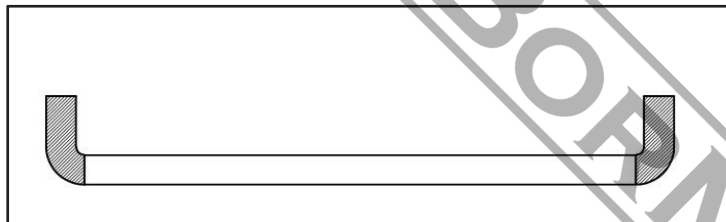
### A gázipalack leválasztása

- A váltószeleppel ellátott ikerpalackos berendezések kivételével, zárja el a készüléken található gázcsapot, ha van ilyen. Várja meg, amíg az égő és a jelzőfény kialszik. Váltószeleppel ellátott berendezések esetén csak az üres palackot kell elzárni.
- Helyezze vissza a narancssárga biztonsági kupakot az üres palackra.

### Figyelmeztetések és biztonsági előírások

A gázgrill használata előtt olvassa el az alábbi pontokat:

- A készülék használata előtt olvassa el az utasításokat. Az utasítások be nem tartása a készülék meghibásodásához vezethet.
  - A gázgrill használat közben nagyon forró lehet. Tartsa távol a kisgyermeket. Különösen forró alkatrészek kezelésekor használjon védőfelszerelést.
  - Gázszivárgás esetén zárja el a gázellátást a gázipalackon, oltson el minden nyílt lángot, nyissa ki a fedelet, és ha a szivárgás folytatódik, ellenőrizze, hogy nincs-e sérülés, rossz csatlakozás stb. Ha a probléma nem oldható meg, azonnal forduljon a helyi gázszolgáltatóhoz.
  - Használat közben ne mozgassa a gázgrillt.
  - A gázgrill használata közben ne használjon és ne tároljon folyadékokat, gőzöket vagy egyéb anyagokat a közelében.
  - Ez a gázgrill kizárólag kültéren használható.
  - Ne használjon nyílt lángot a gázszivárgás ellenőrzéséhez.
  - Gázszivárgás esetén ne üzemeltesse a gázgrillt. Zárja el a gázellátást.
  - Ne próbálja meg leválasztani a gázgrill használat közben a gázgrillről, a gázszabályozóról vagy a gázipalackról semmilyen gázszerveletet.
  - A gázgrill használata során legyen óvatos, soha ne hagyja felügyelet nélkül, ha használatban van. Használat után zárja el a gázellátást a gázipalackon.
  - A gázgrillt használat után meg kell tisztítani. Ne takarja el a tartály rekeszének tűznyílását. Ha a tűznyílás el van takarva,  $\varnothing 1,6$  mm átmérőjű kerek pálcával tisztítsa meg.
- Az égő vagy a szelepek tisztításakor ügyeljen arra, hogy ne növelje az égőnyílásokat vagy a fűvókák/fűvókanyílásokat.
- Ne próbálja meg a készüléket garázsban vagy más zárt térben használni. A készüléket használat közben tartsa távol gyúlékony anyagoktól. Javasoljuk, hogy legalább 0,5–1,0 méter távolságot tartson gyúlékony anyagoktól.
  - Javasoljuk, hogy ezt a gázgrillt legalább évente egyszer szakképzett szerelővel ellenőriztesse a helyi gázforgalmazónál. Ne próbálja meg saját maga javítani a készüléket.
  - A készülék bármilyen módosítása veszélyes lehet. Ne kísérelje meg a gázgrill fő vezérlőelemeinek, azaz a gázcsapoknak, befecskendezőknek, szelepeknek stb. jogosulatlan beavatkozását.



**FIGYELMEZTETÉS: A fogantyú fekete része (lásd a fenti képet)**  
A gázgrill használata közben felforrósodhat, legyen óvatos! Ne érintse meg a fekete területet.

### Biztonsági óvintézkedések

- A csatlakoztatás után mindig szappanos vízzel ellenőrizze a gázvezeték szivárgását a csatlakozásoknál.
- Az égő meggyújtásakor a felső fedélnek mindig nyitva kell lennie.
- A grillen főzéshez használjon sütőkesztyűt és erős, hosszú nyelvű gázgrill-eszközöket.
- Legyen felkészülve balesetekre és tűzre. Tudja, hol található az elsősegélydoboz és a tűzoltó készülék, és tudja, hogyan kell használni őket.
- Tartsa távol az elektromos tápkábelét és az üzemenyag-tömlőt minden forró felülettől.
- Mindig óvatosan főzzön.
- Ne melegítsen a grillen bontatlan üveg- vagy fémedényben tárolt ételt. A nyomás felhalmozódhat és a tartály felrobbanhat, ami súlyos személyi sérüléseket vagy a grill megrongálódását okozhatja.

### Használati utasítás

Figyelem: Az égő meggyújtásakor a fedélnek nyitva kell lennie!

A gázgrill meggyújtásakor ne álljon közvetlenül a grillsütő felett.

A gázgrillje a következő gyújtási móddal rendelkezik:

Pilot gázvezérlésű gyújtás (főégő vagy főégő oldalsó égővel): Ha a gázgrill összes gázvezérlője „OFF” (KI) állásban van, forgassa a gázipalack szelepét a szabályozón a bekapcsolt állásba. A szikra létrehozásához nyomja meg a vezérlőgombot (A), és tartsa ebben a helyzetben 3-5 másodpercig, hogy a gáz áramlani tudjon, majd forgassa el az óramutató járásával ellentétes irányba „HIGH” (B) állásba. A szikra a égőgyújtó csőre (C) csaphat. Az indítóból „pukkanás” hallatszik, és a égő bal oldalán, a égőgyújtó csőből narancssárga láng látható (D).

A „kattintás” után tartsa lenyomva az égő vezérlőgombját két másodpercig, így a gáz teljesen lefolyhat az égőcsőbe (E) és biztosítva lesz a gyújtás.

Amikor az égő meggyullad, a szomszédos égők is meggyulladnak, ha a vezérlőgombjaikat „HIGH” állásba fordítja.

„High” (magas) beállításnál az égő lángjának körülbelül 12–20 mm hosszúnak kell lennie, és legalább narancssárga színűnek kell lennie. A minimális beállításhoz forgassa el a gázszabályozót teljesen az óramutató járásával ellentétes irányba.

Ha a fenti lépéseket követve nem sikerül meggyújtani a gázgrillt, forduljon tanácsért a kereskedőhöz.

Ha az automatikus gyújtás nem működik, vegye le a főzőrácsot és a hőterelőt (főzőlapot), majd forgassa el a szelepet 90°C-ra az óramutató járásával ellentétes irányba, és gyújtsa meg a gázégőt egy 5 mm-re lévő barbecue-gyújtóval. Helyezze vissza a főzőrácsot és a hőterelőt (főzőlapot), és viseljen tűzálló és hőálló kesztyűt.

Figyelem: Ha az égő még mindig nem gyullad, állítsa az égő vezérlőgombját „OFF” állásba, és várjon 5 percet, hogy a gáz elszívárogjon, mielőtt újra meggyújtaná.

## Tárolás

A gázpalackot jól szellőző helyen, szabadban kell tárolni, és használat után el kell választani a gázgrilltől. Mielőtt elválasztaná a gázpalackot a gázgrilltől, győződjön meg arról, hogy szabadban van, és nincs a közelben gyúlékony anyag.

Ha a gázgrillt tárolás után használja, használat előtt ellenőrizze, hogy nincs-e gázszivárgás, és nincs-e akadály a égőben stb. A gázgrill biztonságos használata érdekében kövesse a tisztítási utasításokat is.

Ha a gázgrillt kültéren tárolja, ellenőrizze, hogy az elülső panel alatt minden terület szabad-e (nincsenek-e rovarok stb.). Ezt a területet szabadon kell tartani, mert ez befolyásolhatja az égés vagy a szellőzés levegőáramlását.

## Tisztítási utasítások

A gázgrill karbantartását 90 naponta ajánlott elvégezni, de legalább évente egyszer feltétlenül szükséges. Ezzel meghosszabbíthatja gázgrillje élettartamát.

A gázgrill könnyen tisztítható, minimális erőfeszítéssel, csak kövesse az alábbi hasznos tippeket a tisztítás megkönnyítéséhez.

Hibaelhárítás		
Vészhelyzet	Lehetséges ok	Megelőzés/megoldás
Gázszivárgás repedt/elvágott/égett tömlőből.	Sérült tömlő.	Kapcsolja ki a gázt az LP-tartályon, ha a tömlő megsérült vagy megrepedt, cserélje ki. Ellenőrizze az LP-tartály vezetékét és az LP-hez való csatlakozását.
Gáz szivárog az LP-tartály szelepeiből.	Mechanikai meghibásodás pihenés vagy helytelen kezelés miatt.	Zárja el az LP-tartály szelepét.
Gáz szivárog az LP-tartály szelepeiből.	A tartály szelepeinek meghibásodása vagy mechanikai meghibásodás	Zárja el az LP-tartály szelepét. Vigye vissza az LP-tartályt a gázszolgáltatóhoz.
Gázszivárgás az LP-tartály és a szabályozó csatlakozása között	Helytelen beszerelés, nem szoros csatlakozás, a gumitömítés meghibásodása	Zárja el az LP-tartály szelepét, vegye le a szabályozót a palackról, és vizuálisan ellenőrizze a gumitömítés sérüléseit, lásd az LP-tartály tesztjét és a szabályozó csatlakoztatását az LP
Tűz a vezérlőpanelen	Tűz az égő égőcső szakaszában részleges elzáródás miatt	Kapcsolja ki a vezérlőgombokat és az LP-tartály szelepét.  Miután a tűz kialudt és a grill kihűlt, vegye ki az égőt és ellenőrizze, hogy nincs-e pókfészek vagy rozsdás, lásd a természeti veszélyek és az égőegység tisztítása oldalakon.
Zsirtűz vagy túlzott lángok a főzőfelület felett	Túl sok zsír halmozódott fel az égő területén.	Kapcsolja ki az LP-tartályt. Hagyja nyitva a fedelet, hogy a lángok kialudhassanak. Lehűlés után tisztítsa meg az ételmaradékokat és a felesleges zsírt a tűztér belsejéből, a zsírgyűjtő edényből/tálcából és más felületekről.
Az égő nem gyullad be az indítóval.	Gázproblémák	
	1. Rossz égőt próbál meggyújtani	1. Olvassa el a kezelőpanelen található utasításokat és a Használat és karbantartás című részben.
	2. Az égő nem kapcsolódik a vezérlőszelephez	2. Győződjön meg arról, hogy a szelepek a égőcsövek belsejében vannak.
	3. Az égő el van dugulva.	3. Győződjön meg arról, hogy az égőcsöveket nem takarja pókháló vagy más
Az égő nem gyullad meg az gyújtóval.	Elektromos problémák	
	1. Az elektróda repedt vagy törött; „szikrázik a repedésnél”.	1. Cserélje ki az elektródát.
	2. Az elektróda hegye nincs megfelelő helyzetben	2. Az elektróda hegyének az égő nyílása felé kell mutatnia. A távolságnak 1/8" és 3/16" között kell lennie. Szükség esetén állítsa be.
	3. A vezeték és/vagy az elektróda főzésből származó maradványok.	3. Tisztítsa meg a vezetéket és/vagy az elektródát alkoholos törlőkendővel és tiszta tamponnal.
4. A vezetékek lazaak vagy nincsenek csatlakoztatva	4. Csatlakoztassa újra a vezetékeket, vagy cserélje ki az elektróda/vezeték szerelvényét.	
5. A vezetékek rövidek vannak zárva (szikrázás) a gyújtó és az elektróda között és az elektróda között.	5. Cserélje ki a gyújtóvezetéket	
6. Az indító gomb alján beragad, szikrázik az indító és az elektróda között	6. Cserélje ki a gyújtót	
Az égő nem gyullad	Lásd „gázproblémák” az előző oldalon.	1. Lásd a használati és karbantartási útmutató „Pilot gázvezérlésű gyújtás” című szakaszát.
	2. Helytelen gyújtási módszer	

A gázáram hirtelen csökkenése vagy alacsony láng	1. Zsíros lerakódás. 2. Túlzott zsírtartalom a húsban. 3. Túl magas sütési hőmérséklet	1. Tisztítsa meg a főzőlapokat és a grill/tűztér belsejét 2. A húsról vágja le a zsírt grillezés előtt. 3. Állítsa be (csökkentse) a hőmérsékletet
A lángok kialszanak	Erős vagy szállókések. Alacsony LP-gázszint. Túlfolyó szelep kioldott.	Fordítsa a grill elejét a szél felé, vagy növelje a láng magasságát. Töltse fel az LP-tartályt. Lásd a fenti „gázáram hirtelen csökkenése” részt.
Tartós zsírégés	A zsírt az égő rendszer körül felhalmozódott ételmaradékok fogják vissza.	Forgassa a gombokat OFF állásba. Zárja el a gázellátást az LP-tartályon. Hagyja a fedelet a helyén, és hagyja a tüzet kialudni. Miután a grill kihűlt, vegye le és tisztítsa meg az összes alkatrészt.
Visszagyulladás (tűz az égőcsőben/égőcsővekben)	Az égő és az égőcsővek eldugultak	Forgassa a gombokat OFF állásba, tisztítsa meg az égőt és/vagy az égőcsőveket. Lásd az égő tisztításáról szóló részt a használati és karbantartási útmutatóban.
Lángkitörés	1. Zsírlerakódás. 2. Túl sok zsír a húsban. 3. Túl magas főzési hőmérséklet	1. Tisztítsa meg az égőket és a grill / tűztér belsejét. 2. A húst grillezés előtt zsírtalanítsa. 3. Állítsa be (csökkentse) a hőmérsékletet.
Az LP-tartály nem tölthető fel	Egyes kereskedőknél régebbi, kopott töltőfűvőkák vannak menetes.	A kopott fűvőkák nem tapadnak elég erősen a szelephez. Próbálkozzon egy másik LP-kereskedőnél.
Az egyik égő nem gyullad be a többi égőből	Zsírlerakódás vagy ételmaradékok a hőátadó cső végén	Tisztítsa meg a hordozócsövet drótkéfével

Ha a fenti információk alapján a probléma nem oldódik meg, vegye fel a kapcsolatot a helyi gázkereskedővel.

- Kapcsolja be az égőt 15-20 percre. Mielőtt folytatná, győződjön meg arról, hogy a készülék kihűlt.
- A rácsokat rendszeresen tisztítsa meg szappanos vízben áztatással és mosással.
- A grill burkolatának belső felületeit is forró szappanos vízzel kell lemosni. A makacs foltokat drótkéfével, acélgyapattal vagy súrolószivaccsal távolítsa el.
- Rendszeresen ellenőrizze az égőt, hogy nincs-e rajta rovarok vagy pókok, amelyek eltömíthetik a gázrendszert és elterelhetik a gázáramlást. Gondosan tisztítsa meg az égő venturi csőveit, és győződjön meg arról, hogy nincsenek elzáródások. A venturi cső tisztításához csőtisztítót javaslunk.
- A készülék bármilyen módosítása veszélyes lehet és tilos.

#### Gázgrill biztonsági tippek

A gázgrillt biztonságos, sík felületre állítsa, gyúlékony tárgyaktól, például fa kerítéstől vagy lelógó faágaktól távol. Soha ne használja a gázgrillt beltérben!

A gázgrill bekapcsolása után ne mozgassa és ne hagyja felügyelet nélkül.

Tartsa gyermekeket és háziállatokat biztonságos távolságban a gázgrilltől.

Tartsontűzoltó készüléket tartson kéznél.

A gázgrill használat közben felforrósodik, ezért a fedelet stb. kesztyűvel fogja meg.

A készüléket csak akkor tárolja el, ha teljesen kihűlt.

Kizárólag kültéren használja!

Használat előtt olvassa el a gázgrill használati utasítását.

Az elérhető alkatrészek nagyon forróak lehetnek, tartsa távol a kisgyermeket!

Használat közben ne mozgassa a gázgrillt.

Használat után zárja el a gázellátást a gázpalackon.

A készülék bármilyen módosítása veszélyes lehet és tilos.

Szervizközpont: a gyártási karbantartáshoz forduljon a helyi forgalmazóhoz.

## Instrucciones de seguridad

¡Guarde este manual de instrucciones para futuras consultas!

¡ESTA PARRILLA DE GAS ESTÁ DISEÑADA ÚNICAMENTE PARA USO EN EXTERIORES!

**ADVERTENCIA: PARA UN FUNCIONAMIENTO SEGURO Y ADECUADO, ASEGÚRESE DE CONECTAR UN REGULADOR DE PRESIÓN UNIDIRECCIONAL (NO INCLUIDO).**

### Importante:

**LEA TODAS LAS INSTRUCCIONES Y EL MODO DE EMPLEO ANTES DE UTILIZAR ESTE APARATO. SIGA TODOS LOS PASOS EN SU ORDEN. NO PERMITA NUNCA QUE LOS NIÑOS UTILICEN ESTE APARATO.**

### Advertencias:

Utilizar únicamente en exteriores.

Lea las instrucciones antes de utilizar el aparato.

Las partes accesibles pueden estar muy calientes; mantenga alejados a los niños pequeños.

No mueva el aparato mientras esté en uso.

Cierre el suministro de gas en la bombona después de su uso.

Cualquier modificación del aparato puede ser peligrosa.

Las piezas selladas por el fabricante o su representante no deben ser alteradas por el usuario. No modifique el aparato.

### Atención:

Algunas partes de este aparato alcanzan temperaturas muy elevadas; tenga especial cuidado cuando haya niños o personas mayores presentes.

### Por su seguridad:

No almacene ni utilice gasolina, combustibles metilados ni otros vapores o líquidos inflamables en las proximidades de este u otros aparatos.

¡Nunca encienda una barbacoa de gas con gasolina o líquidos similares!

Sugerencia: el usuario no debe modificar el conjunto tal y como lo ha empaquetado el fabricante.

Algunos distribuidores de gas licuado pueden llenar las bombonas de gas licuado para su uso en la barbacoa por encima de la capacidad de llenado de la bombona. Este «sobrellenado» puede crear una situación peligrosa. El «sobrellenado» de las bombonas puede generar un exceso de presión. Como dispositivo de seguridad, la válvula de alivio de presión de la bombona liberará vapor de gas para aliviar este exceso de presión. Este vapor es combustible y, por lo tanto, puede inflamarse. Para reducir este peligro, debe tomar las siguientes precauciones de seguridad:

A. Cuando llene su tanque, asegúrese de indicar al proveedor que lo llene hasta un máximo del 80 % de su capacidad total.

B. Si posee o utiliza un tanque de repuesto adicional, o tiene un tanque desconectado, nunca debe almacenarlo cerca o debajo de la parrilla o la caja de calor, ni cerca de ninguna otra fuente de ignición o calor.

### Peligros:


Si huele a gas:

1. Cierre el suministro de gas al aparato.

2. Apague cualquier llama abierta.

3. Abra la tapa.

4. Si el olor persiste, manténgase alejado del aparato y llame al cuerpo de bomberos local.

Datos técnicos				
				
Modelo	BBQ6020	BBQ6030	BBQ6031	BBQ6041
Características básicas	Barbacoa de gas de 2 quemadores (sin quemador lateral)	Barbacoa de gas de 3 quemadores (sin quemador lateral)	Barbacoa de gas de 3+1 quemadores	Barbacoa de gas de 4+1 quemadores
Dimensiones (cm)	L108,5 × A57 × A102	L120,5 × A58,5 × A103,5	L122 × A57 × A112	L132,5 × A57 × A112
Superficie de la parrilla (cm)	L48 × A42	L60 × A42	L60 × A42	L70,5 × A42
Material de la parrilla	Hierro fundido			
Potencia	3 kW por quemador, total 6 kW	3 kW por quemador, total 9 kW	3 kW por quemador, quemador lateral de 2,5 kW, total 11,5 kW	3 kW por quemador, quemador lateral de 2,5 kW, total 14,5 kW
Peso (kg)	29	21,5	29	34,5
Características específicas	2 estantes laterales, 2 ruedas (BBQ6020, BBQ6030), 4 ruedas (BBQ6031, BBQ6041), termómetro en la tapa, termostato regulable, interruptor de encendido piezoeléctrico (BBQ6020, BBQ6030), encendido piezoeléctrico automático (BBQ6031, BBQ6041), recogegrasa extraíble, bandejas laterales plegables (BBQ6020), ranura para brochetas (BBQ6031, BBQ6041)			
Regulador y manguera	No incluido			

**ADVERTENCIA: NUNCA UTILICE EL APARATO SIN UN REGULADOR DE GAS ESTABLE (30 mbar).**

## Pasos de montaje

Asegúrese de que su barbacoa esté montada correctamente. Cada barbacoa incluye instrucciones de montaje detalladas con los procedimientos específicos para cada modelo. Siga estas instrucciones cuidadosamente para garantizar un montaje correcto y seguro de la barbacoa.

**Precaución:** Aunque hacemos todo lo posible para garantizar que el proceso de montaje sea lo más sencillo posible, es inherente a las piezas de acero fabricadas que las esquinas y los bordes puedan provocar cortes si se manipulan incorrectamente durante los procedimientos de montaje. Tenga cuidado al manipular cualquier pieza durante el montaje. Se recomienda encarecidamente que se proteja las manos con un par de guantes de trabajo.

### Preparación

Para utilizar esta barbacoa de gas, necesitará una bombona de GLP y reguladores adecuados para la presión del gas. Los reguladores deben cumplir con la norma EN16129 en su versión actual y con la normativa nacional.

Consulte el punto 6 para obtener más instrucciones.

Consejos para ahorrar energía:

- Reduzca el tiempo de apertura de la tapa.
- Apague la barbacoa tan pronto como termine de cocinar.
- Precaliente la barbacoa de gas solo durante 10 a 15 minutos. (Excepto en el primer uso)
- No precaliente más tiempo del recomendado.
- No utilice una temperatura más alta de lo necesario.
- Conecte la manguera y el regulador al recipiente de gas situado en el lado izquierdo de la parrilla de gas. Tenga en cuenta que el recipiente de gas debe mantenerse alejado del calor y en una posición segura. El diámetro de la manguera es de 8-10 mm. La longitud recomendada de la manguera no debe superar los 1,5 m. La manguera flexible debe cumplir con la normativa y los códigos locales pertinentes.

## Instalación

Una vez comprado el cilindro de gas, estará listo para instalarlo en su barbacoa de gas.

- Al cambiar la bombona de gas, hay que hacerlo lejos de cualquier fuente de ignición. Coloca la bombona en el lado izquierdo de la barbacoa de gas; no debe colocarse dentro de la barbacoa, teniendo en cuenta que la bombona debe mantenerse alejada del calor y en una posición segura.
- Cuando esté listo para utilizar la barbacoa de gas, inserte el regulador en la válvula de la botella de gas y apriete firmemente.

**Advertencia:** Antes de encender la barbacoa de gas, consulte las instrucciones de encendido y las advertencias y medidas de seguridad.

Revise la manguera antes de cada uso, buscando grietas, cortes o cualquier abrasión. Si se detecta que la manguera presenta algún defecto, no intente utilizar la barbacoa de gas. Al cambiar la botella de gas, asegúrese de que no haya fuentes de ignición cerca, es decir, fuegos, cigarrillos, llamas abiertas, etc. Asegúrese de que el aparato esté apagado. Asegúrese de que la manguera no sufra torsiones que puedan afectar al flujo de gas al instalar la barbacoa de gas. Además, la manguera no debe estar sometida a una tensión excesiva y no debe tocar ninguna parte de la barbacoa de gas que pueda estar caliente.

- Elija una manguera flexible con una resistencia al calor superior a 80 °C.
- El tubo flexible debe cambiarse cada 2 años. Es necesario cambiar el tubo flexible cuando las condiciones nacionales lo exijan.

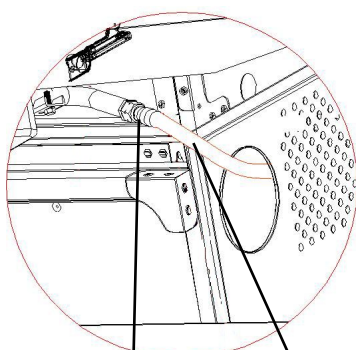
### Cómo cambiar la bombona

Nota: Cierre la válvula de la bombona (no se necesita llave inglesa)

La altura de la bombona de gas es inferior a 80 cm y la anchura no supera los 35 cm

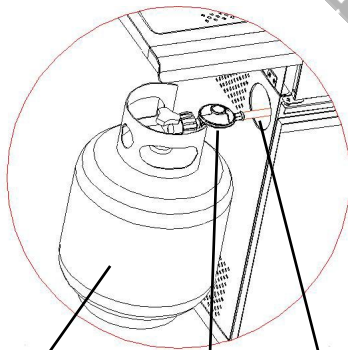
### Cómo conectar una botella de gas

- Gire la tapa naranja de modo que la flecha apunte al hueco de la cubierta.
- Retire la tapa de seguridad naranja tirando del cordón hacia fuera y hacia arriba. No utilice herramientas. Deje la tapa colgando.
- Compruebe que la arandela de sellado negra esté colocada dentro de la válvula de la bombona. Conecte el regulador a la válvula.
- Gire el interruptor en sentido horario en la botella de gas y, a continuación, encienda la barbacoa de gas siguiendo las instrucciones.



Conector de gas

Manguera



Botella de gas

Regulador

Manguera

\*Solo para el producto sin compartimento para bombonas de gas

**Advertencia:** Comprueba siempre que no haya fugas en la línea de gas conector con agua jabonosa, revisando todas las conexiones.

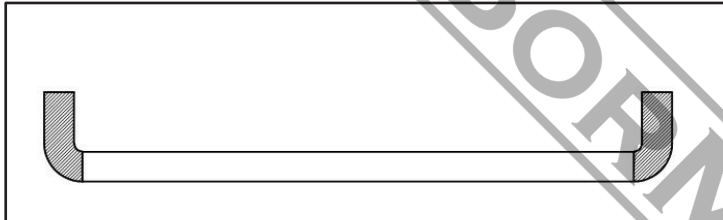
### Cómo desconectar una botella de gas

- Excepto en instalaciones de dos cilindros con válvula de cambio, cierre la llave de gas si el aparato dispone de ella. Espere a que se apaguen el quemador y la llama piloto. En instalaciones con válvula de cambio, solo es necesario desconectar el cilindro vacío.
- Vuelva a colocar la tapa de seguridad naranja en la bombona vacía.

### Advertencias y consejos de seguridad

Lea los siguientes puntos antes de utilizar su barbacoa de gas:

- Lea las instrucciones antes de utilizar el aparato. Si no se siguen las instrucciones, pueden surgir problemas durante el uso.
  - Las partes accesibles de esta barbacoa de gas pueden estar muy calientes durante su uso. Mantenga a los niños pequeños alejados. Utilice protección al manipular componentes especialmente calientes.
  - En caso de fuga de gas, cierre el suministro de gas en la botella, apague cualquier llama abierta, abra la tapa y, si la fuga continúa, compruebe si hay daños, conexiones defectuosas, etc. Póngase en contacto con su distribuidor de gas local inmediatamente si no puede resolver el problema.
  - No mueva la barbacoa de gas mientras esté en uso.
  - No utilice ni almacene líquidos, vapores u otros materiales en las proximidades mientras utilice la barbacoa de gas.
  - Esta barbacoa de gas solo debe utilizarse al aire libre.
  - No utilice una llama abierta para comprobar si hay fugas de gas.
  - No utilice la barbacoa de gas si hay una fuga de gas. Cierre el suministro de gas.
  - No intente desconectar ninguna pieza de conexión de gas mientras la barbacoa de gas esté en uso, ni en la propia barbacoa ni en el regulador o la bombona de gas.
  - Se recomienda tener cuidado al utilizar la barbacoa de gas; nunca la deje desatendida mientras esté en uso. Cierre el suministro de gas en el contenedor de gas después de su uso.
  - La barbacoa de gas debe limpiarse después de su uso. No obstruya la abertura de ventilación del compartimento del contenedor. Si la abertura de ventilación está obstruida, utilice un palillo redondo de  $\Phi 1,6$  mm para desatascarla.
- Tenga cuidado de no agrandar los orificios del quemador o las aberturas de los orificios/boquillas al limpiar el quemador o las válvulas.
- No intente utilizar este aparato en un garaje ni en ningún espacio cerrado. Además, este aparato debe mantenerse alejado de materiales inflamables durante su uso, etc. Recomendamos mantener una distancia de al menos 0,5 a 1,0 metros de cualquier material inflamable.
  - Recomendamos que esta barbacoa de gas sea revisada por un técnico competente en su tienda de gas local al menos una vez al año. No intente reparar este aparato usted mismo.
  - Cualquier modificación del aparato puede ser peligrosa. No intente realizar ninguna intervención no autorizada en los controles principales de esta barbacoa de gas, es decir, grifos de gas, inyectores, válvulas, etc.



**Advertencia:** La zona negra del asa (véase la imagen como referencia) calentará cuando la barbacoa de gas esté en uso, ¡tenga cuidado! No toque la zona negra.

### Precauciones de seguridad

- Compruebe siempre si hay fugas de gas en la tubería de gas en el conector con agua jabonosa después de realizar las conexiones.
- La tapa superior debe estar siempre abierta al encender el quemador.
- Utilice guantes de cocina y utensilios para barbacoa de gas resistentes y de mango largo cuando cocine en la barbacoa.
- Esté preparado en caso de que se produzca un accidente o un incendio. Sepa dónde se encuentran el botiquín de primeros auxilios y los extintores, y sepa cómo utilizarlos.
- Mantenga cualquier cable de alimentación eléctrica y la manguera de suministro de combustible alejados de cualquier superficie caliente.
- Cocine siempre con mucho cuidado.
- No caliente en la parrilla ningún recipiente de vidrio o metal con alimentos sin abrir. La presión podría acumularse y hacer que el recipiente estalle, lo que podría provocar lesiones personales graves o daños en la parrilla.

### Instrucciones de uso

**Precaución:** ¡La tapa debe estar abierta al encender el quemador!

No se coloque con la cara directamente sobre la parrilla de gas al encenderla.

Su parrilla de gas tendrá el siguiente método de encendido:

Encendido del control de gas del piloto (quemador principal o quemador principal con quemador lateral): Con todos los controles de gas de la barbacoa de gas en la posición «OFF», gire la válvula de la bombona de gas hasta la posición de apertura en el regulador. Para generar una chispa, debe pulsar el mando de control (A) y mantenerlo en esta posición durante 3-5 segundos para permitir el flujo de gas y, a continuación, girarlo en sentido antihorario hasta «HIGH» (B). Se puede producir una chispa en el tubo de encendido del quemador (C). Oirá un «clic» procedente del encendedor y también verá una llama naranja que sale del tubo de encendido del quemador, situado en el lado izquierdo del mismo (D).

Siga manteniendo pulsado el mando de control del quemador durante dos segundos después del «chasquido»; esto permitirá que el gas fluya completamente por el tubo del quemador (E) y garantizará el encendido.

Cuando el quemador esté encendido, los quemadores adyacentes se encenderán automáticamente al girar sus controles a «HIGH».

En la posición «High», la llama del quemador debe tener una longitud aproximada de 12-20 mm, con un mínimo de llama naranja. Gire el control de gas completamente en sentido antihorario para el ajuste mínimo.

Si tiene alguna dificultad para encender su barbacoa de gas siguiendo los pasos anteriores, póngase en contacto con su distribuidor para que le asesore.

Si no se puede utilizar el encendido automático, retire la parrilla de cocción y el difusor de calor (placa de cocción), y gire la válvula en sentido antihorario hasta 90°C para encenderla con un mechero para barbacoa a una distancia de 5 mm del orificio de encendido del quemador. Vuelva a colocar la parrilla de cocción y el difusor de calor (placa de cocción); utilice guantes ignífugos y resistentes al calor.

**Advertencia:** Si el quemador sigue sin encenderse, gire el mando de control del quemador a la posición «OFF» y espere 5 minutos para que se disipe el gas antes de volver a encenderlo.

**Almacenamiento**

La botella de gas debe almacenarse al aire libre en una zona bien ventilada y debe desconectarse de la parrilla de gas cuando no se utilice. Asegúrese de estar al aire libre y lejos de cualquier fuente de ignición antes de intentar desconectar la botella de gas de la parrilla.

Cuando utilice la barbacoa de gas tras un periodo de almacenamiento, compruebe que no haya fugas de gas ni obstrucciones en el quemador, etc., antes de usarla. Siga también las instrucciones de limpieza para garantizar la seguridad de la barbacoa de gas.

Si la barbacoa de gas se almacena al aire libre, asegúrese de comprobar que todas las zonas situadas debajo del panel frontal estén libres de obstrucciones (insectos, etc.). Esta zona debe mantenerse despejada, ya que podría afectar al flujo de aire de combustión o ventilación.

**Instrucciones de limpieza**

Se recomienda realizar un mantenimiento de su barbacoa de gas cada 90 días, pero es absolutamente necesario realizarlo al menos una vez al año. De este modo, prolongará la vida útil de su barbacoa de gas.

Su barbacoa de gas es fácil de limpiar con un mínimo esfuerzo; solo tiene que seguir estos útiles consejos para facilitar la limpieza.

Solución de problemas		
Problema	Posible causa	Prevención / Solución
Fuga de gas por una manguera agrietada, cortada o quemada.	Manguera dañada.	Cierre el gas en el tanque de GLP; si la manguera está cortada o agrietada, sustitúyala. Consulte la prueba de fugas del tanque de GLP y la conexión del regulador al GLP.
Fuga de gas por la válvula del tanque de GLP.	Fallo mecánico debido al uso prolongado o a un manejo incorrecto.	Cierre la válvula del tanque de GLP.
Fuga de gas por la válvula del tanque de GLP.	Avería de la válvula del tanque por uso incorrecto o fallo mecánico	Cierre la válvula del tanque de GLP. Devuelva el tanque de GLP al proveedor de gas
Fuga de gas entre el tanque de GLP y la conexión del regulador	Instalación incorrecta, conexión poco ajustada, fallo de la junta de goma	Cierre la válvula del tanque de GLP, retire el regulador del cilindro e inspeccione visualmente si la junta de goma presenta daños; consulte la prueba del tanque de GLP y la conexión del regulador al tanque de GLP
Salida de fuego por el panel de control	Incendio en la sección del tubo del quemador debido a una obstrucción parcial	Cierre los mandos de control y la válvula del tanque de GLP.  Una vez que el fuego se haya apagado y la parrilla esté fría, retire el quemador e inspeccione si hay nidos de arañas u óxido; consulte las páginas sobre riesgos naturales y limpieza del conjunto del quemador.
Incendio de grasa o llamas excesivas sobre la superficie de cocción	Exceso de acumulación de grasa en la zona del quemador.	Cierre el tanque de GLP. Deje la tapa abierta para que las llamas se apaguen. Una vez enfriado, limpie los restos de comida y el exceso de grasa del interior de la cámara de combustión, la bandeja de recogida de grasa y otras superficies
El quemador no se enciende con el encendedor.	Problemas con el gas	
	1. Intenta encender el quemador equivocado	1. Consulte las instrucciones del panel de control y la sección correspondiente en el manual de uso y mantenimiento.
	2. El quemador no está acoplado a la válvula de control	2. Asegúrese de que la válvula esté colocada dentro de los tubos del quemador.
	3. Obstrucción en el quemador.	3. Asegúrese de que los tubos del quemador no estén obstruidos por telas de araña u otros residuos
El quemador no se enciende con el encendedor.	Problemas eléctricos	
	1. Electrodo agrietado o roto; «chispas en la grieta». 2. Punta del electrodo fuera de posición 3. El cable y/o el electrodo están cubiertos de residuos de comida. 4. Los cables están sueltos o desconectados 5. Los cables están en cortocircuito (chispas) entre el encendedor y el electrodo. 6. El botón se atasca en la parte inferior y produce chispas entre el encendedor y el electrodo	1. Sustituya el electrodo. 2. La punta del electrodo debe apuntar hacia el orificio del quemador. La distancia debe ser de 1/8" a 3/16". Ajústela si es necesario. 3. Limpie el cable y/o el electrodo con alcohol isopropílico y un bastoncillo limpio. 4. Vuelva a conectar los cables o sustituya el conjunto de electrodo y cable. 5. Sustituya el cable del encendedor 6. Sustituya el encendedor 7. Inspeccione el aislamiento del cable y compruebe que la conexión sea correcta. Sustituya los cables si el aislamiento está dañado.
El quemador no se enciende	Consulte «problemas con el gas» más arriba. 2. Método incorrecto de encendido con cerilla	1. Consulte la sección «Encendido del piloto de gas» en el manual de uso y mantenimiento.

Caída repentina del flujo de gas o llama débil	1. Acumulación de grasa. 2. Exceso de grasa en la carne. 3. Temperatura de cocción excesiva	1. Limpie los quemadores y el interior de la parrilla/cámara de combustión 2. Quita la grasa de la carne antes de asarla. 3. Ajuste (baje) la temperatura
Las llamas se apagan	Vientos fuertes o racheados. Nivel bajo de gas LP. Se ha activado la válvula de exceso de caudal.	Gire la parte delantera de la parrilla para que quede de cara al viento o aumente la altura de la llama. Rellene el tanque de GLP. Consulte «caída repentina del flujo de gas» más arriba.
Incendio de grasa persistente	Grasa atrapada por la acumulación de restos de comida alrededor del sistema de quemadores.	Gire los mandos a la posición OFF. Cierre el gas en el tanque de GLP. Deje la tapa en su posición y deje que el fuego se apague por sí solo. Una vez que la parrilla se haya enfriado, retire y limpie todas las piezas.
Retoces de llama (fuego en los tubos del quemador)	El quemador y los tubos del quemador están obstruidos	Gire los mandos a la posición OFF, limpie el quemador y/o los tubos del quemador. Consulte la sección de limpieza del quemador en el manual de uso y mantenimiento
Llamas repentinas	1. Acumulación de grasa. 2. Exceso de grasa en la carne. 3. Temperatura de cocción excesiva	1. Limpie los quemadores y el interior de la parrilla/cámara de combustión 2. Quita la grasa de la carne antes de asarla. 3. Ajuste (baje) la temperatura
No se puede llenar el tanque de GLP	Algunos distribuidores tienen boquillas de llenado antiguas con roscas desgastadas.	Las boquillas desgastadas no tienen suficiente «agarre» para acoplarse a la válvula. Pruebe con otro distribuidor de GLP.
Un quemador no se enciende al igual que los demás	Acumulación de grasa o partículas de comida en el extremo del tubo de arrastre	Limpie el tubo de transporte con un cepillo de alambre

Si el problema no se resuelve con la información anterior, ponte en contacto con tu distribuidor de gas local.

- Encienda el quemador durante 15 a 20 minutos. Asegúrese de que el aparato esté frío antes de continuar.
- Las rejillas deben limpiarse periódicamente remojándolas y lavándolas con agua jabonosa.
- Las superficies interiores de la cubierta de la carcasa de la parrilla también deben lavarse con agua caliente y jabón. Utilice un cepillo de alambre, lana de acero o un estropajo para eliminar las manchas rebeldes.
- Compruebe periódicamente el quemador para asegurarse de que no haya insectos ni arañas que puedan obstruir el sistema de gas y desviar el flujo de gas. Asegúrese de limpiar con mucho cuidado los tubos Venturi del quemador y de que no haya obstrucciones. Le recomendamos que utilice un limpiapipas para limpiar la zona de los tubos Venturi.
- Cualquier modificación de este aparato puede ser peligrosa y no está permitida.

#### Consejos de seguridad para barbacoas de gas

Coloque la barbacoa de gas sobre una superficie segura y nivelada, lejos de objetos inflamables como vallas de madera o ramas de árboles que sobresalgan. ¡Nunca utilice la barbacoa de gas en interiores!

Una vez encendida, no mueva la barbacoa de gas ni la deje desatendida.

Mantenga a los niños y a las mascotas a una distancia segura de la barbacoa de gas.

Tenga a mano un extintor.

La barbacoa de gas se calienta durante su uso, por lo que debe manipular las tapas, etc., con guantes.

Asegúrese de que el aparato se haya enfriado completamente antes de guardarlo.

¡Úsela solo al aire libre!

Lee las instrucciones antes de utilizar la barbacoa de gas.

Las partes accesibles pueden estar muy calientes, ¡mantenga a los niños pequeños alejados!

No mueva la barbacoa de gas mientras la esté utilizando.

Cierre el suministro de gas en el depósito después de su uso.

Cualquier modificación del aparato puede ser peligrosa y no está permitida.

Centro de mantenimiento: acuda a los distribuidores locales para el mantenimiento del producto.

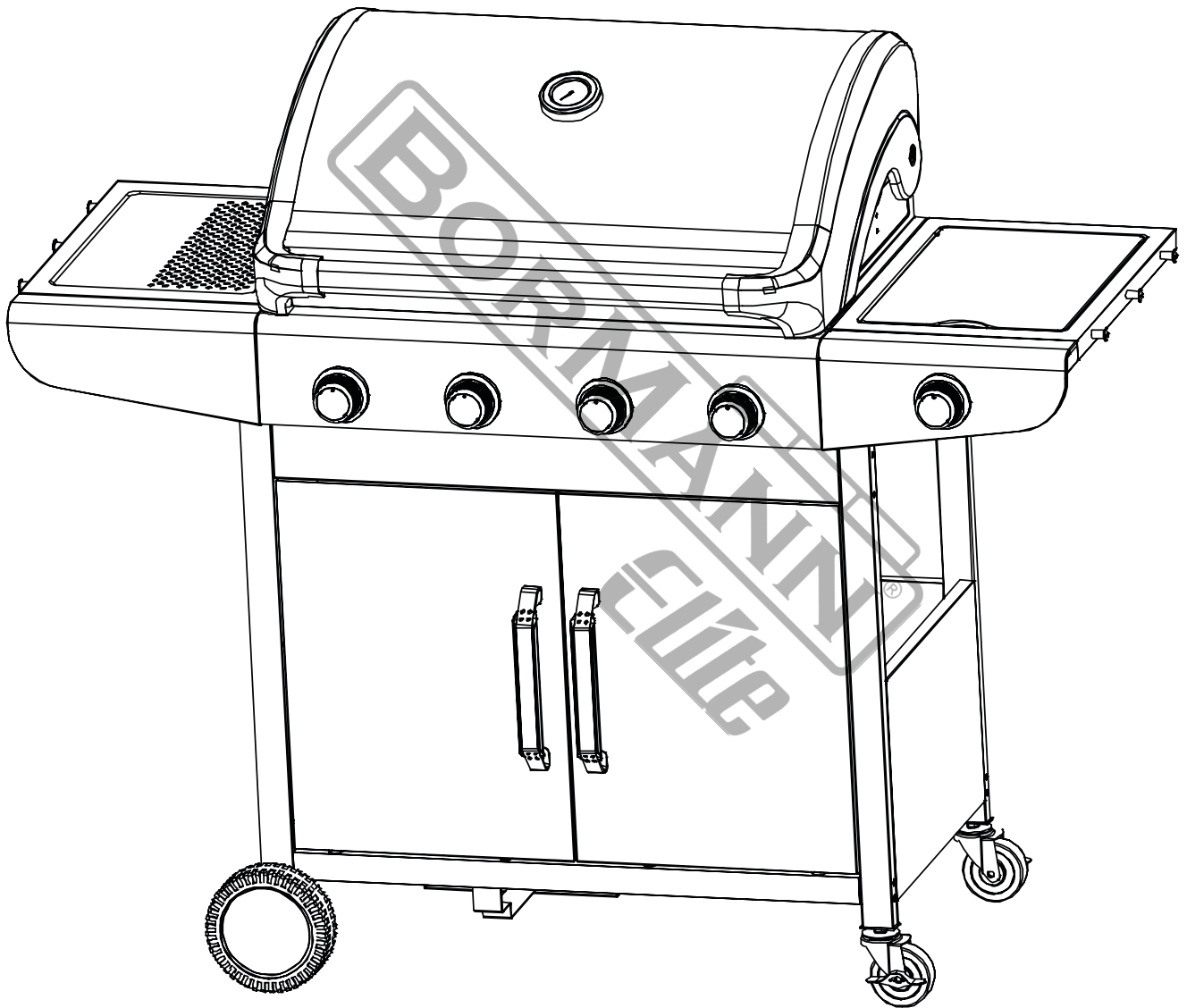
# APPENDIX

# **BORMANN**® *Elite*

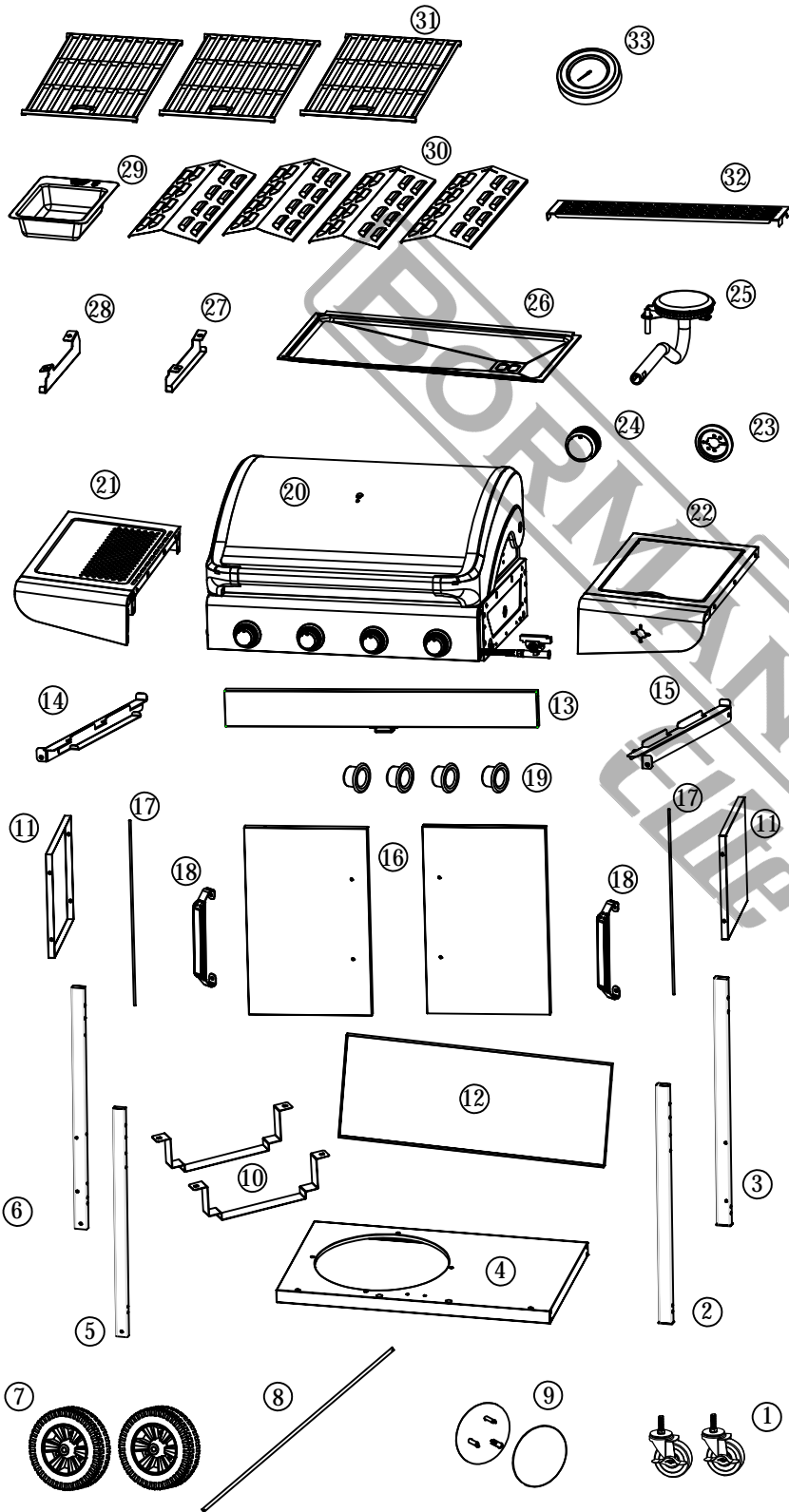
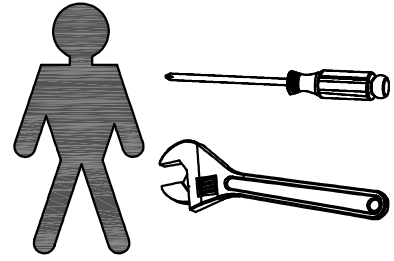
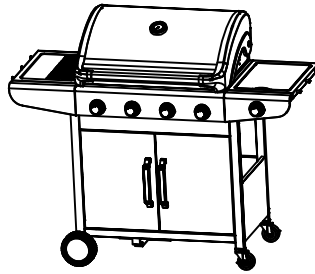
## **FORGE**

BBQ6041

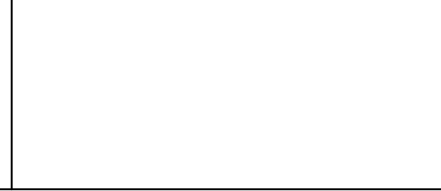
**ASSEMBLY INSTRUCTIONS**  
**ΟΔΗΓΙΕΣ ΣΥΝΑΡΜΟΛΟΓΗΣΗΣ**

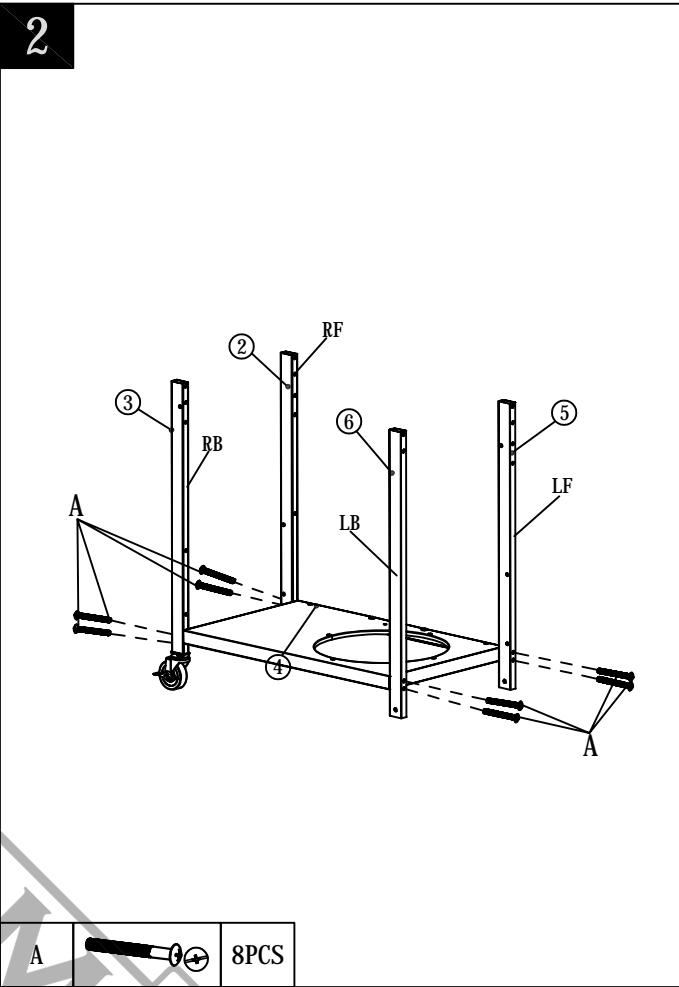
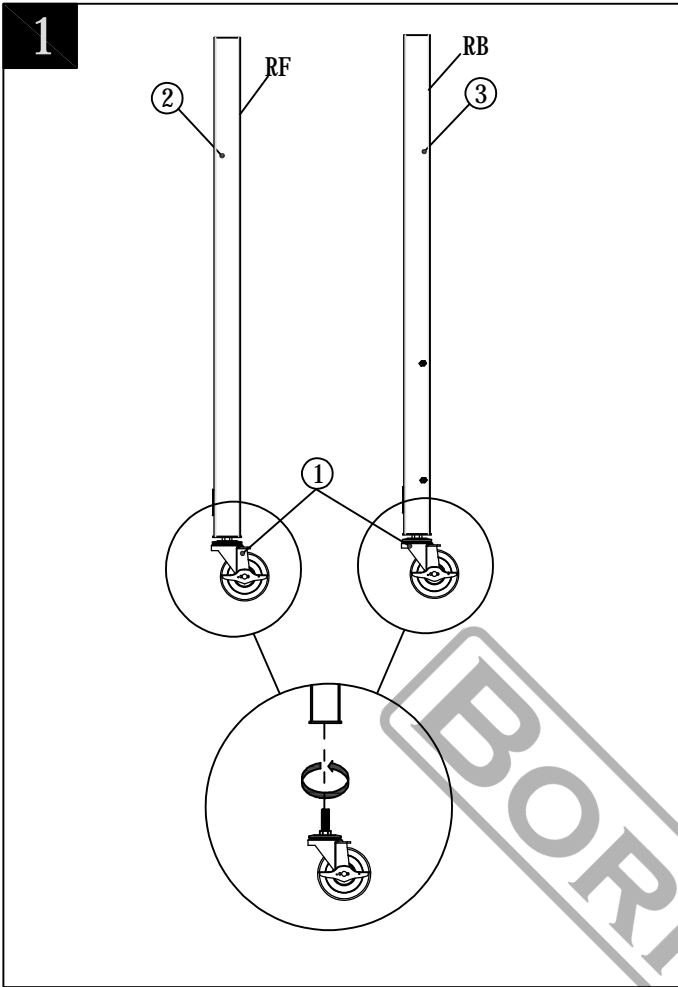


# BBQ6041

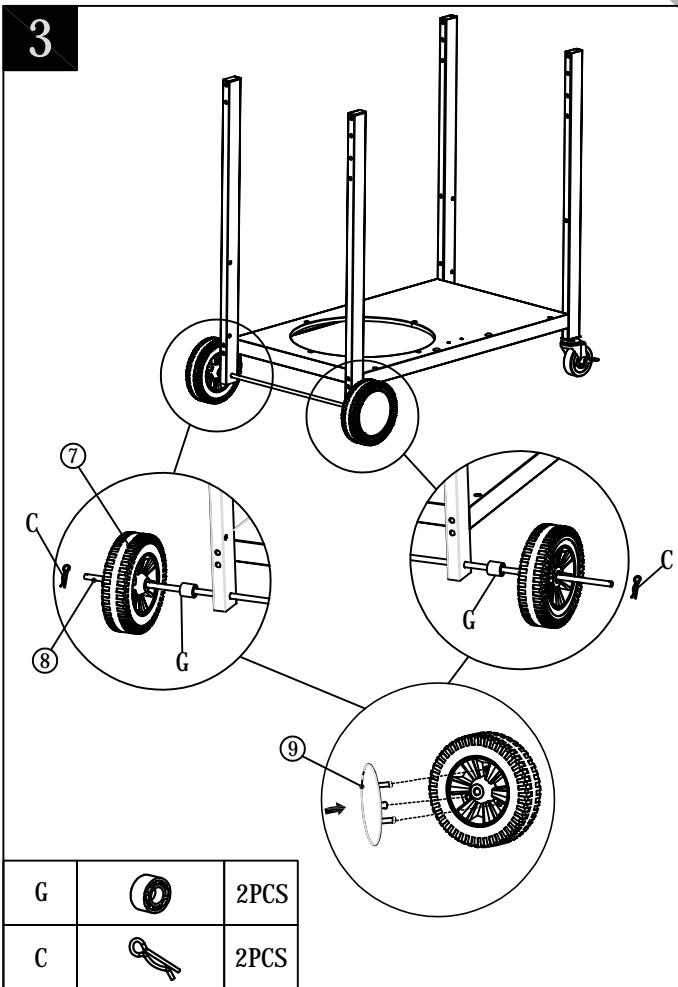


① *2	② *1 (RF)	③ *1 (RB)
④ *1	⑤ *1 (LF)	⑥ *1 (LB)
⑦ *2	⑧ *1	⑨ *2
⑩ *2	⑪ *2	⑫ *1
⑬ *1	⑭ L *1	⑮ R *1
⑯ *2	⑰ *2	⑱ *2
⑲ *4	⑳ *1	㉑ *1
㉒ *1	㉓ *1	㉔ *1
㉕ *1	㉖ *1	㉗ L *1
㉘ R *1	㉙ *1	㉚ *4
㉛ *3	㉜ *1	㉝ *1
A МБ-55*20	B МБ-10*32	C *2
D *2	E *1	F МБ-8*6
G *2	H МБ-10(SS)*4	I *1
J МБ*15*4	K МБ*28*6	

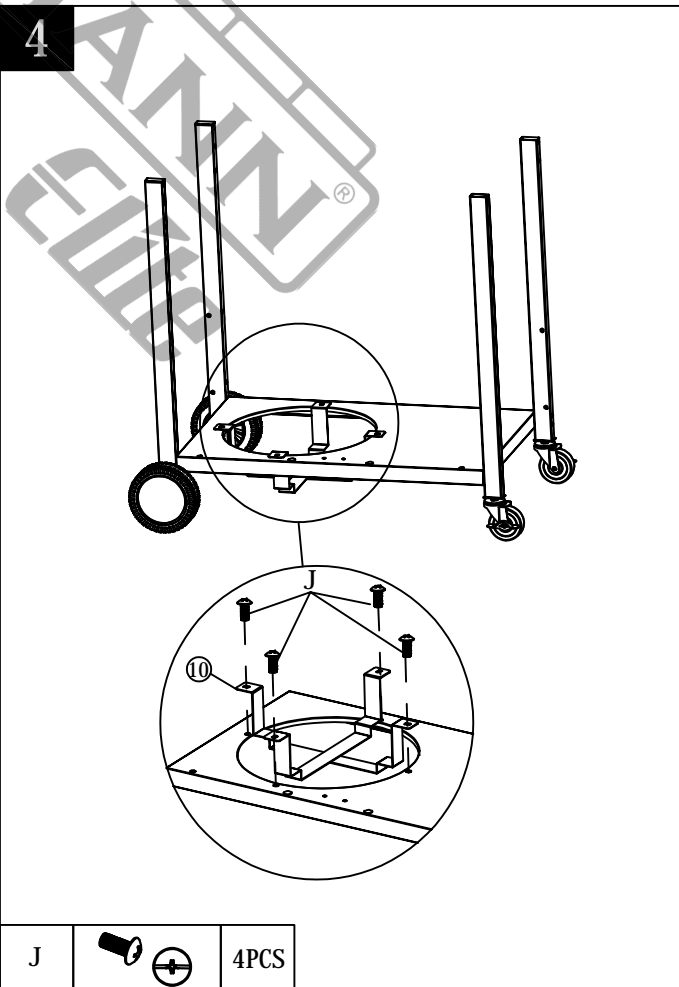




A		8PCS
---	--	------

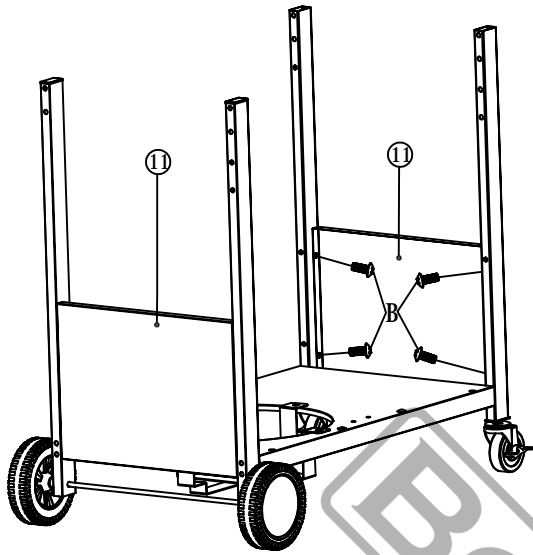


G		2PCS
C		2PCS



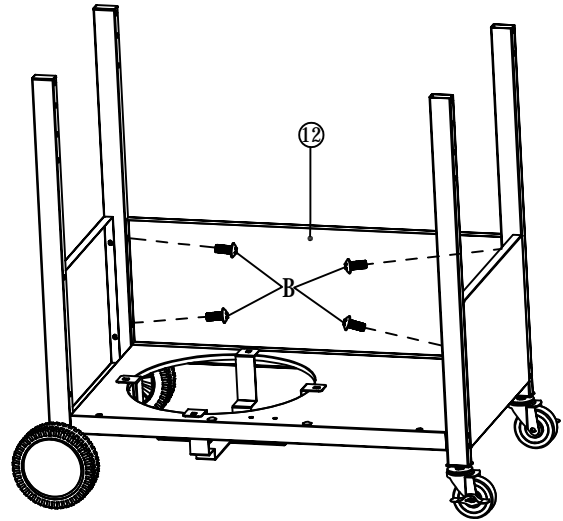
J		4PCS
---	--	------

5



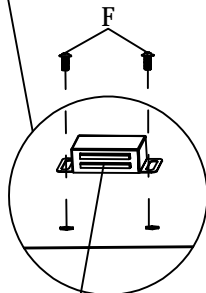
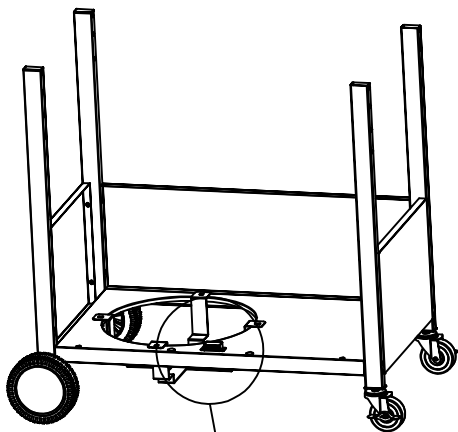
B		8PCS
---	--	------

6



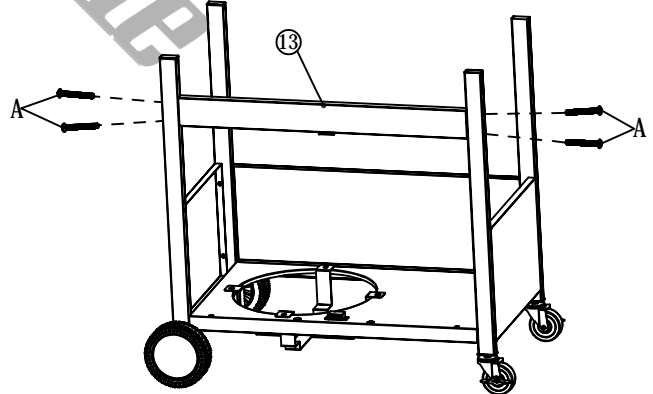
B		4PCS
---	--	------

7



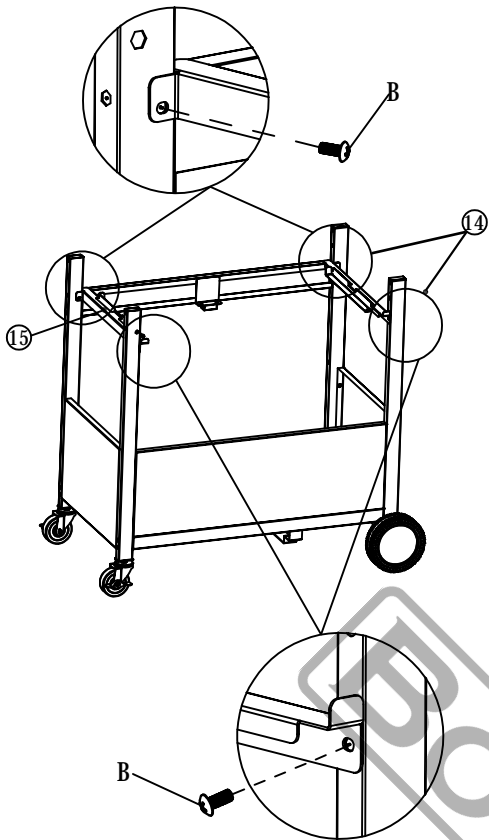
F		2PCS
E		1PC

8



A		4PCS
---	--	------

9

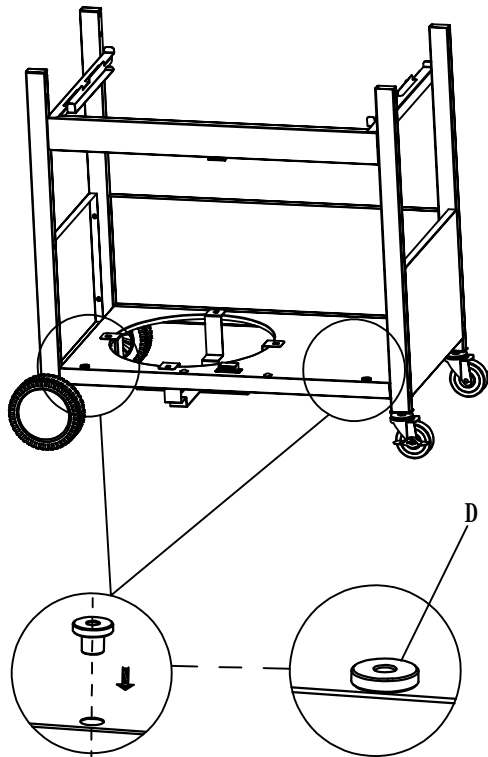


B



4PCS

10

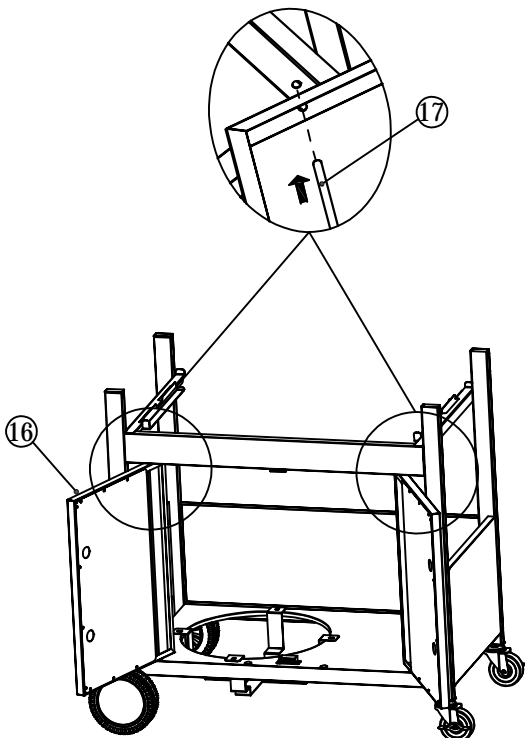


D

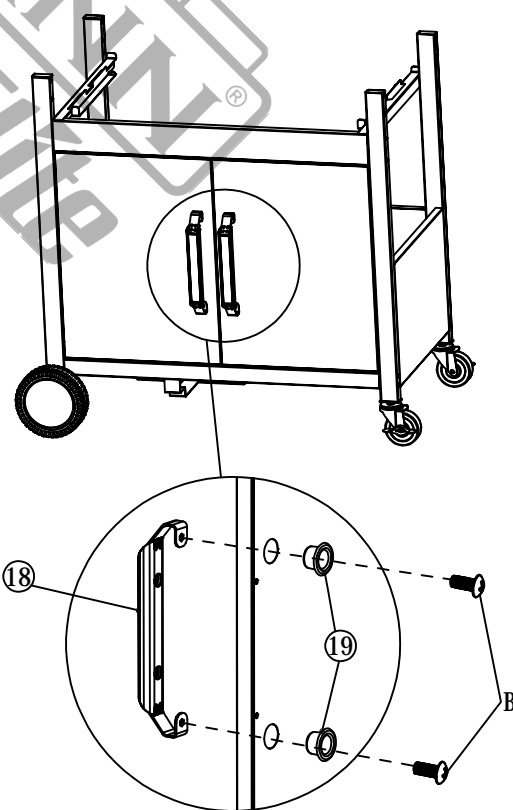


2PCS

11



12

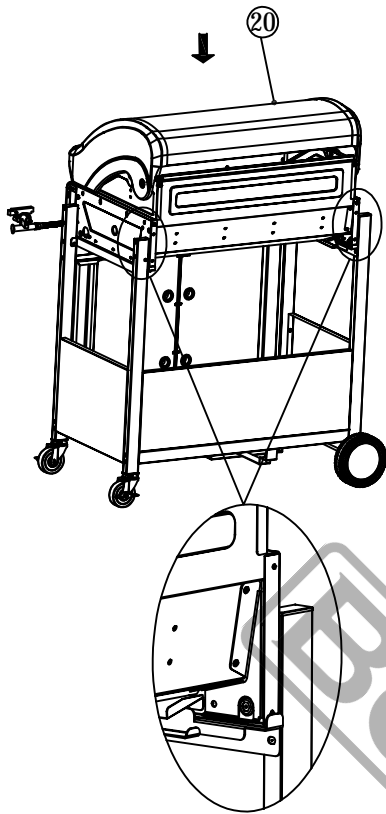


B

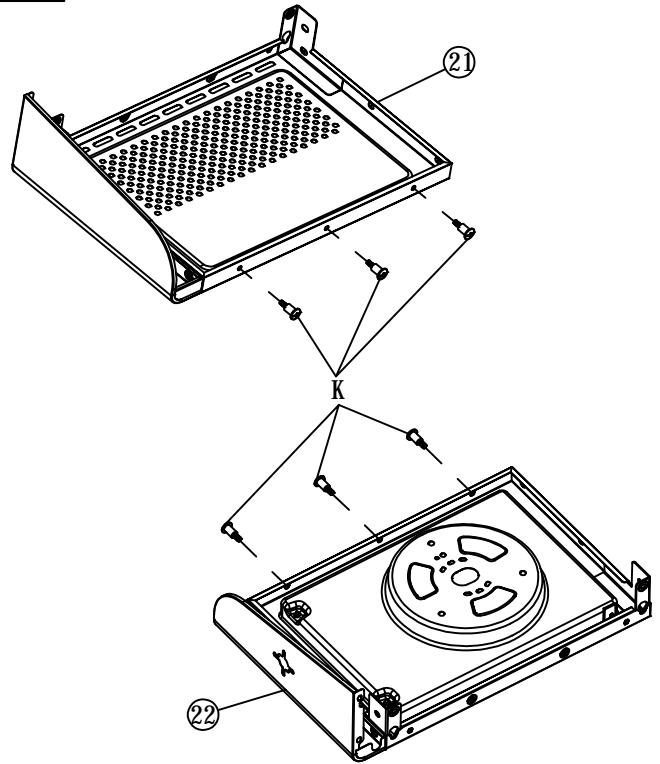


4PCS

13

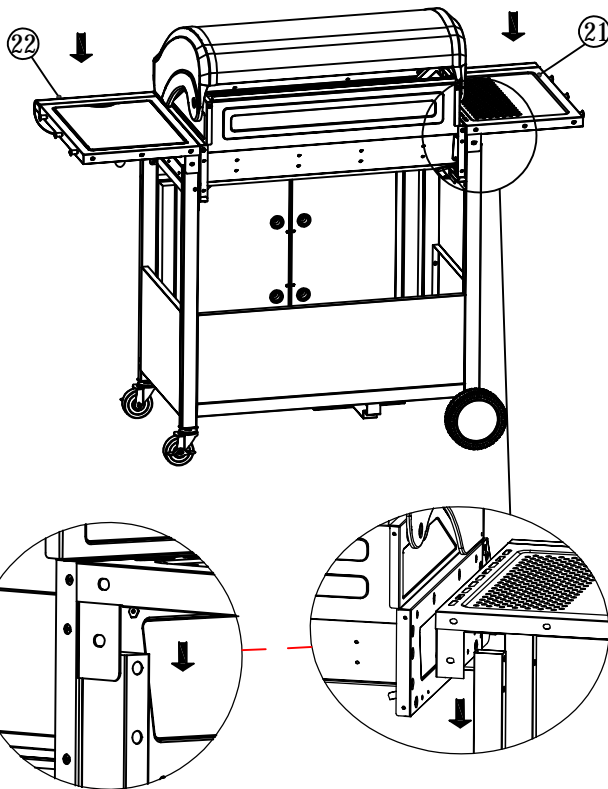


14

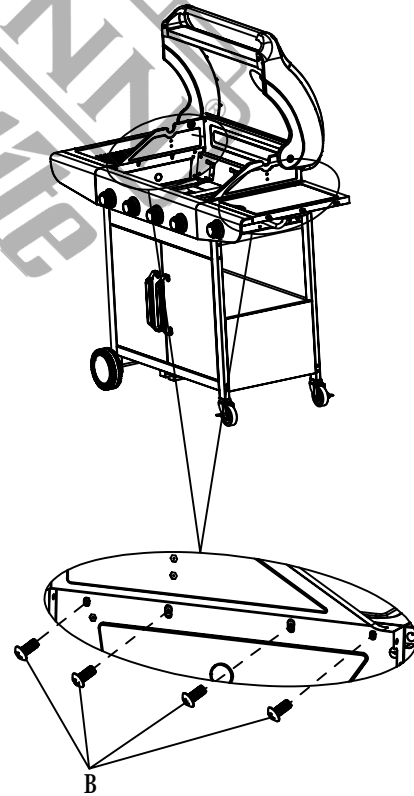


K		6PCS
---	------------------------------------------------------------------------------------	------

15

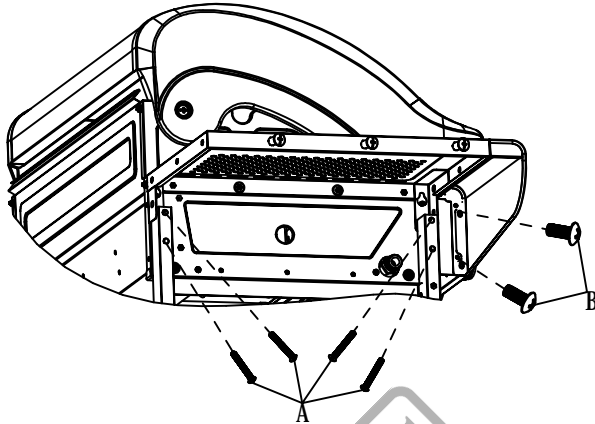




16



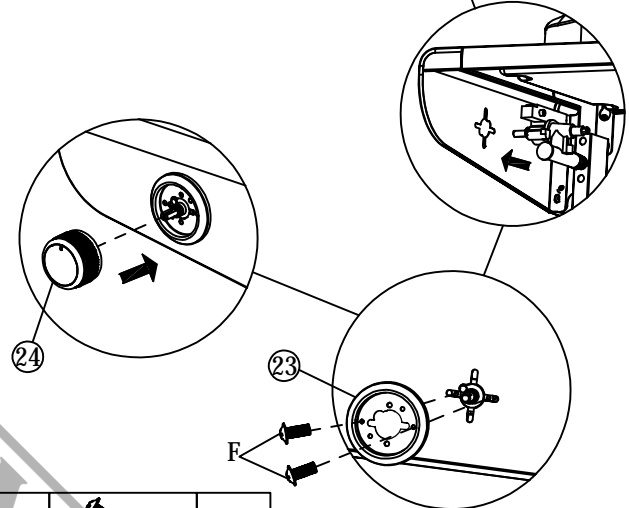
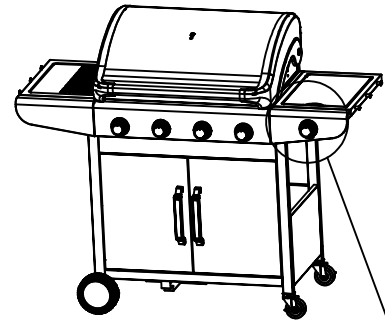
B		8PCS
---	--------------------------------------------------------------------------------------	------

17



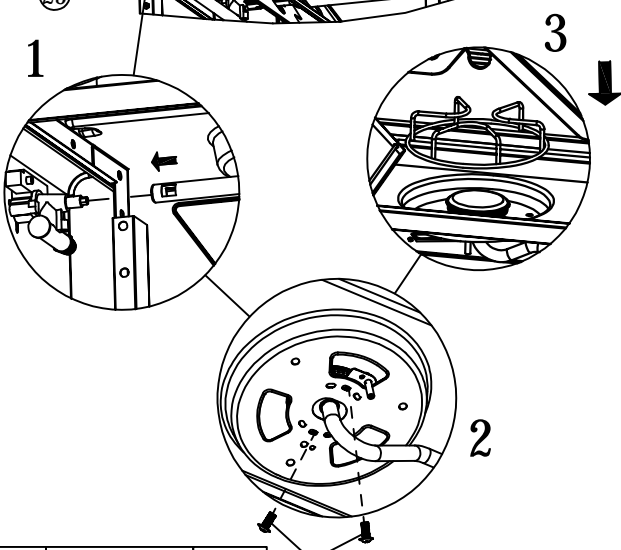
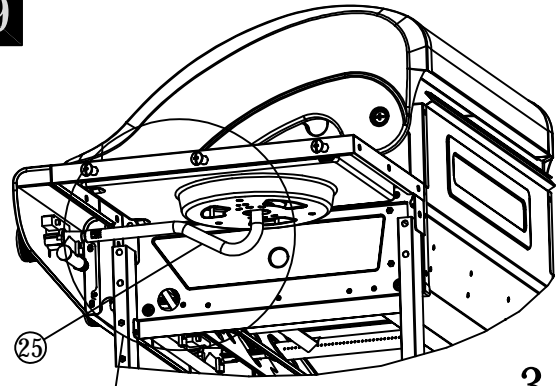
B		4PCS
A		8PCS

18



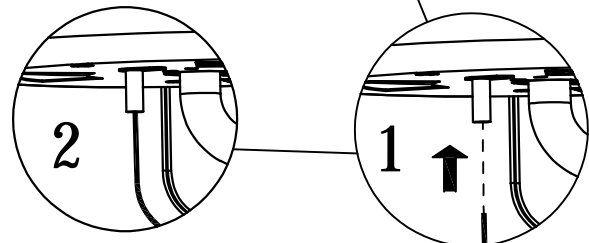
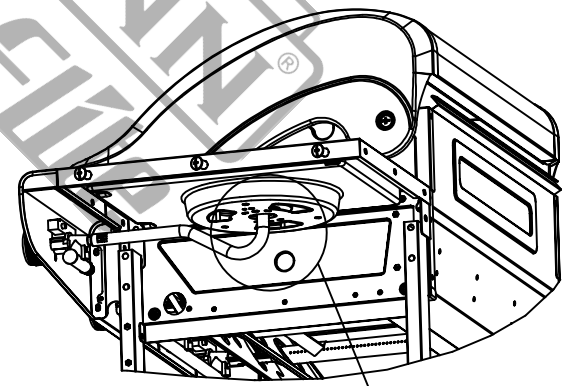
F		2PCS
---	-------------------------------------------------------------------------------------	------

19

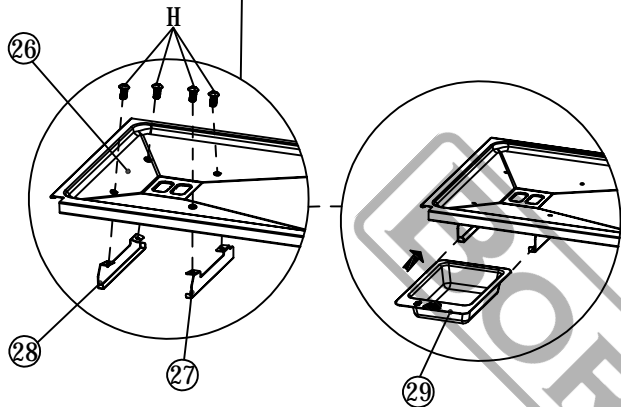
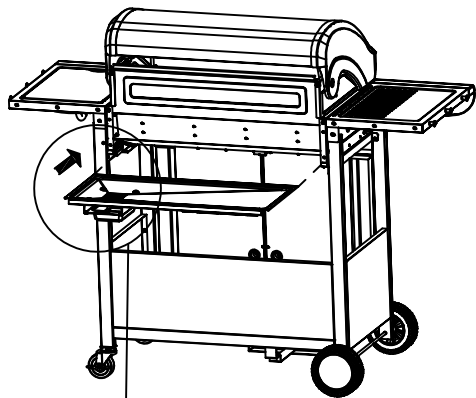


F		2PCS
---	-------------------------------------------------------------------------------------	------

20

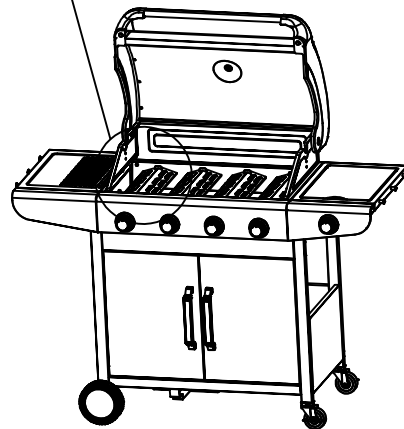
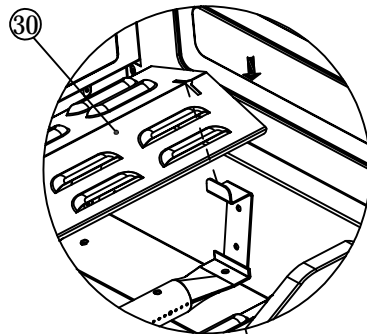


21

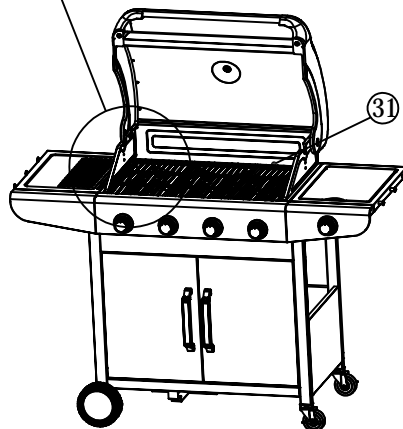
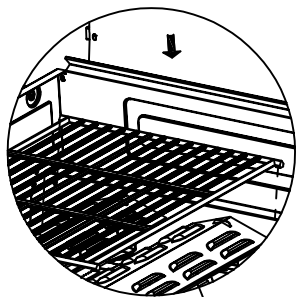


H		4PCS
---	------------------------------------------------------------------------------------	------

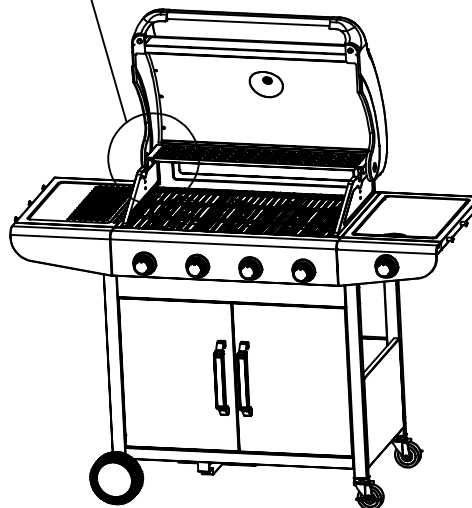
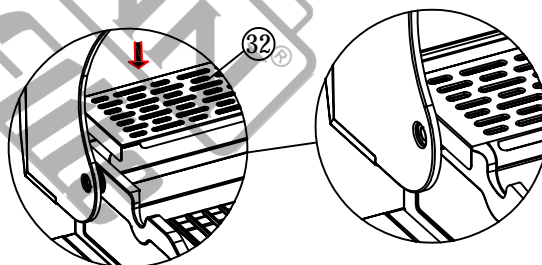
22

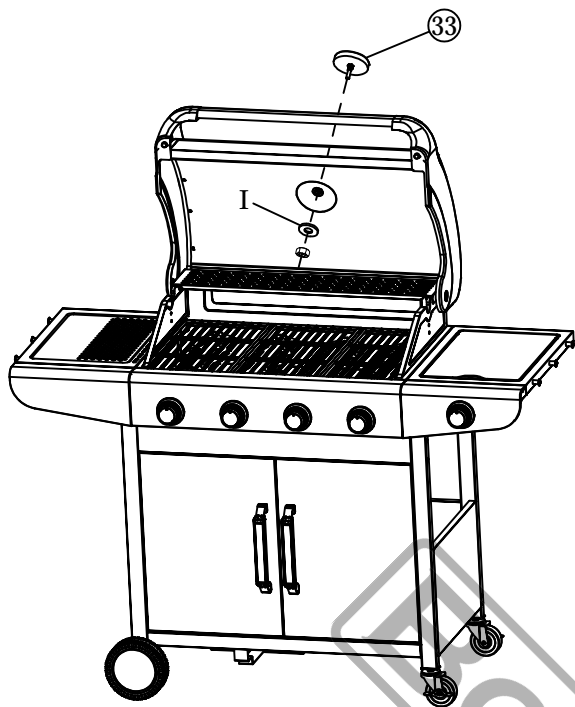



23



24





I		1PC
---	------------------------------------------------------------------------------------	-----

FORMANN  
elite

## ΕΓΓΥΗΣΗ

EL

Οι ψησταριές έχουν κατασκευαστεί με αυστηρά πρότυπα που έχει θέσει η εταιρεία και τα οποία συνάδουν με τα ευρωπαϊκά πρότυπα ποιότητας. Για τις ψησταριές της εταιρείας μας παρέχεται περίοδος εγγύησης 24 μηνών. Η ισχύς της εγγύησης ξεκινά από την ημερομηνία αγοράς του προϊόντος. Αποδεικτικό του δικαιώματος της εγγύησης αποτελεί το παραστατικό αγοράς της ψησταριάς (απόδειξη λιανικής ή τιμολόγιο). Σε καμία περίπτωση η εταιρεία δεν καλύπτει τη σχετική δαπάνη ανταλλακτικών και εργασίας εάν και εφόσον δε συνοδεύεται από αντίγραφο του παραστατικού. Σε περίπτωση που η επισκευή πρέπει να γίνει στο σπίτι μας η δαπάνη μεταφοράς (από και προς) βαρύνει εξ' ολοκλήρου τον αποστολέα. Οι ψησταριές αποστέλλονται για την επισκευή τους στην εταιρεία ή σε εξουσιοδοτημένο συνεργείο με τον ενδεδειγμένο τρόπο καθώς και μέσω μεταφοράς.

### ΕΞΑΙΡΕΣΕΙΣ ΚΑΙ ΠΕΡΙΟΡΙΣΜΟΙ ΤΗΣ ΕΓΓΥΗΣΗΣ:

- 1) Φυσιολογική φθορά λόγω χρήσης (αναλώσιμα εξαρτήματα).
- 2) Ζημιές που οφείλονται γενικώς σε μη συμμόρφωση με τις οδηγίες του κατασκευαστή.
- 3) Ελλιπής συντήρηση.
- 4) Χρήση μη ενδεδειγμένων καθαριστικών ή εξαρτημάτων.
- 5) Παραχώρηση προϊόντος σε τρίτο πρόσωπο χωρίς επιβάρυνση.
- 6) Βλάβη ή κακή λειτουργία που έχει προκύψει από πλημμελή καθαρισμό της ψησταριάς.
- 7) Επαφή της ψησταριάς με χημικά, ή βλάβη από υγρασία, διάβρωση.
- 8) Ψησταριές που έχουν υποστεί τροποποιήσεις – αλλαγές ή στις οποίες έχει γίνει επέμβαση από μη εξουσιοδοτημένο συνεργείο.
- 9) Σπασμένα μέρη/εξαρτήματα εξαιτίας μη ορθής χρήσης.
- 10) Ψησταριές που χρησιμοποιούνται για ενοικίαση.

Η εγγύηση καλύπτει αποκλειστικά τη δωρεάν αντικατάσταση του εξαρτήματος που έχει κατασκευαστικό ελάττωμα ή αστοχία υλικού. Σε περίπτωση έλλειψης ανταλλακτικού η εταιρεία διατηρεί το δικαίωμα αντικατάστασης της ψησταριάς με άλλο αντίστοιχο μοντέλο. Μετά τη διεκπεραίωση εγγύησης δεν επιμηκύνεται ούτε ανανεώνεται ο χρόνος εγγύησης της ψησταριάς. Αντικατάσταση ανταλλακτικού με χρέωση επισκευής, καλύπτεται από 1 χρόνο εγγύηση καλής λειτουργίας, με προϋπόθεση την τήρηση των όρων εγγύησης. Τα ανταλλακτικά ή οι ψησταριές οι οποίες αντικαθίστανται παραμένουν στην κατοχή της εταιρείας μας. Άλλες απαιτήσεις, εκτός από αυτές που αναφέρονται σε αυτό το έντυπο εγγύησης δεν ισχύουν. Για την εγγύηση αυτή ισχύει το ελληνικό Δίκαιο.

## WARRANTY

EN

The grills have been manufactured according to strict standards, set by our company, which are aligned with the respective European quality standards. The grills of our company are provided with a warranty period of 24 months. The warranty is valid from the date of purchase of the product. Proof of the warranty right is the purchase document of the grill (retail receipt or invoice). Under no circumstances shall the company cover the relevant cost of spare parts and respective required working hours unless a copy of the purchase document is presented. In case the repair has to be done by our service department the cost of transportation (to and from) is entirely borne by the sender (client). The grills must be sent for repair to the company or to an authorized workshop in the appropriate way and means of transport.

### WARRANTY EXEMPTIONS AND RESTRICTIONS:

- 1) Spare parts that wear out naturally as a consequence of being used (expendable parts).
- 2) Grills damaged as a result of non-compliance with the instructions of the manufacturer.
- 3) Grills poorly maintained.
- 4) Use of improper detergents or accessories.
- 5) Grills given to third entities free of charge.
- 6) Damage or malfunction resulting from improper cleaning procedure of the grill.
- 7) Contact of the grill with chemicals, or damage as a result of moisture or corrosion.
- 8) Grills that have been modified or opened by unauthorized personnel.
- 9) Broken parts/components as a result of inappropriate use.
- 10) Grills used for rent.

The warranty covers only the free of charge replacement of the component that presents a manufacturing defect or material failure. In case of lack of a specific spare part the company reserves the right to replace the grill with another corresponding model. After all warranty procedures have been concluded, the warranty period of the grill shall not be extended or renewed. Replacement of a spare part with repair charge is covered by a 1 year warranty of good operation, subject to compliance with the warranty terms. The spare parts or grills that are replaced remain in the possession of our company. Requirements, other than those mentioned in this warranty form, regarding grills repairs or damage thereof, do not apply. Greek law and relative regulations apply to this warranty.

## GARANTIE

FR

Les grils ont été fabriqués conformément aux normes strictes établies par notre société, qui sont alignées sur les normes de qualité européennes respectives. Les grils de notre société sont assortis d'une période de garantie de 24 mois. La garantie est valable à partir de la date d'achat du produit. La preuve du droit à la garantie est le document d'achat du gril (ticket de caisse ou facture). La société ne couvrira en aucun cas le coût des pièces de rechange et des heures de travail nécessaires si une copie du document d'achat n'est pas présentée. Si la réparation doit être effectuée par notre service après-vente, les frais de transport (aller et retour) sont entièrement à la charge de l'expéditeur (client). Les grills doivent être envoyés pour réparation à l'entreprise ou à un atelier agréé de la manière et par le moyen de transport appropriés.

### EXEMPTIONS ET RESTRICTIONS DE GARANTIE:

- 1) Les pièces de rechange qui s'usent naturellement en raison de leur utilisation (pièces consommables).
- 2) Grills endommagés suite au non-respect des instructions du fabricant.
- 3) Grills mal entretenus.
- 4) Utilisation de détergents ou d'accessoires inappropriés.
- 5) Grills donnés gratuitement à des tiers.
- 6) Dommages ou dysfonctionnements résultant d'une procédure de nettoyage incorrecte du gril.
- 7) Contact du gril avec des produits chimiques, ou dommages dus à l'humidité ou à la corrosion.
- 8) Les grills qui ont été modifiés ou ouverts par des personnes non autorisées.
- 9) Les pièces/composants cassés à la suite d'une utilisation inappropriée.
- 10) Les grills utilisés en location.

La garantie couvre uniquement le remplacement gratuit du composant qui présente un défaut de fabrication ou une défaillance matérielle. En cas d'absence d'une pièce de rechange spécifique, l'entreprise se réserve le droit de remplacer le gril par un autre modèle correspondant. Après la conclusion de toutes les procédures de garantie, la période de garantie du gril ne sera ni prolongée ni renouvelée. Le remplacement d'une pièce détachée avec frais de réparation est couvert par une garantie de bon fonctionnement d'un an, sous réserve du respect des conditions de garantie. Les pièces de rechange ou les grills remplacés restent en possession de notre société. Les exigences, autres que celles mentionnées dans le présent formulaire de garantie, concernant les réparations des grills ou leur endommagement, ne s'appliquent pas. La loi grecque et les réglementations correspondantes s'appliquent à cette garantie.

## GARANZIA

IT

Le griglie sono state prodotte secondo i rigorosi standard stabiliti dalla nostra azienda, che sono allineati con i rispettivi standard di qualità europei. Le griglie della nostra azienda sono coperte da una garanzia di 24 mesi. La garanzia è valida dalla data di acquisto del prodotto. La prova del diritto alla garanzia è il documento di acquisto del grill (scontrino o fattura). In nessun caso l'azienda coprirà il relativo costo dei pezzi di ricambio e delle rispettive ore di lavoro necessarie se non viene presentata una copia del documento di acquisto. Nel caso in cui la riparazione debba essere effettuata dal nostro servizio di assistenza, i costi di trasporto (andata e ritorno) sono interamente a carico del mittente (cliente). Le griglie devono essere inviate per la riparazione all'azienda o a un'officina autorizzata con le modalità e i mezzi di trasporto appropriati.

### ECCEZIONI E LIMITAZIONI ALLA GARANZIA:

- 1) Pezzi di ricambio che si usurano naturalmente in seguito all'utilizzo (pezzi sacrificabili).
- 2) Griglie danneggiate a causa del mancato rispetto delle istruzioni del produttore.
- 3) Griglie sottoposte a scarsa manutenzione.
- 4) Utilizzo di detersivi o accessori non appropriati.
- 5) Griglie cedute a terzi a titolo gratuito.
- 6) Danni o malfunzionamenti derivanti da una procedura di pulizia impropria del grill.
- 7) Contatto della griglia con sostanze chimiche o danni dovuti a umidità o corrosione.
- 8) Griglie modificate o aperte da personale non autorizzato.
- 9) Rottura di parti/componenti a causa di un uso improprio.
- 10) Griglie utilizzate per il noleggio.

La garanzia copre solo la sostituzione gratuita del componente che presenta un difetto di fabbricazione o di materiale. In caso di mancanza di un pezzo di ricambio specifico, l'azienda si riserva il diritto di sostituire il grill con un altro modello corrispondente. Una volta concluse tutte le procedure di garanzia, il periodo di garanzia del grill non potrà essere esteso o rinnovato. La sostituzione di un pezzo di ricambio con spese di riparazione è coperta da una garanzia di 1 anno di buon funzionamento, a condizione che vengano rispettati i termini della garanzia. I pezzi di ricambio o le griglie sostituite rimangono in possesso della nostra azienda. Non si applicano requisiti diversi da quelli menzionati nel presente modulo di garanzia per quanto riguarda la riparazione delle griglie o il loro danneggiamento. La legge greca e le relative norme si applicano alla presente garanzia.

## GARANCIA

### AL

Grilat janë prodhuar sipas standardeve strikte, të vendosura nga kompania jonë, të cilat janë në përputhje me standardet përkatëse evropiane të cilësisë. Grilat e kompanisë sonë pajisen me garanci 24 muaj. Garancia është e vlefshme që nga data e blerjes së produktit. Dëshmi e të drejtës së garancisë është dokumenti i blerjes së grilës (faturë me pakicë ose faturë). Në asnjë rrethanë kompania nuk do të mbulojë koston përkatëse të pjesëve të këmbimit dhe orët përkatëse të kërkuesit të punës, përveç nëse paraqitet një kopje e dokumentit të blerjes. Në rast se riparimi duhet të bëhet nga departamenti ynë i shërbimit, kostoja e transportit (nga dhe nga) mbulohet tërësisht nga dërguesi (Klienti). Grilat duhet të dërgohen për riparim në kompani ose në një punishte të autorizuar në mënyrën dhe mjetet e duhura të transportit.

#### PËRJASHTIMET DHE KUFIZIMET E GARANCISË:

- 1) Pjesë këmbimi që konsumohen natyrshëm si pasojë e përdorimit (pjesë shpenzuese).
- 2) Grilat e dëmtuara si pasojë e mosrespektimit të udhëzimeve të prodhuesit.
- 3) Grilat nuk mirëmbahen mirë.
- 4) Përdorimi i detergjenteve ose aksesoreve të papërshtatshëm.
- 5) Grilat që u jepen personave të tretë pa pagesë.
- 6) Dëmtimi ose mosfunksionimi i shkaktuar nga procedura e papërshtatshme e pastrimit të skarës.
- 7) Kontakti i skarës me kimikate, ose dëmtimi si rezultat i lagështisë ose korrozionit.
- 8) Grilat që janë modifikuar ose hapur nga personel i paautorizuar.
- 9) Pjesë/përbërës të tjerë si rezultat i përdorimit të papërshtatshëm.
- 10) Skara të përdorura me qira.

Garancia mbulon vetëm zëvendësimin pa pagesë të komponentit që paraqet një defekt në prodhim ose defekt material. Në rast të mungesës së një pjesë këmbimi të veçantë, kompania rezervon të drejtën të zëvendësojë grilën me një model tjetër përkatës. Pasi të jenë përfunduar të gjitha procedurat e garancisë, periudha e garancisë së grilës nuk do të zgjatet ose rinovohet. Zëvendësimi i një pjesë rezervë me tarifë riparimi mbulohet nga një garanci 1 vjeçare e funksionimit të mirë, në varësi të respektimit të kushteve të garancisë. Pjesët e këmbimit ose grilat që ndërrohen mbeten në posedim të kompanisë sonë. Kërkesat, përveç atyre të përmendura në këtë formular garancie, në lidhje me riparimin e grilave ose dëmtimitin e tyre, nuk zbatohen. Ligji grek dhe rregulloret përkatëse zbatohen për këtë garanci.

## GARANCIA

### SLO

Žari so bili izdelani v skladu s strogimi standardi našega podjetja, ki so usklajeni z ustreznimi evropskimi standardi kakovosti. Za žare našega podjetja je zagotovljena 24-mesečna garancija. Garancija velja od datuma nakupa izdelka. Dokazilo o pravici do garancije je dokument o nakupu žara (maloprodajni račun ali račun). Podjetje v nobenem primeru ne krije ustreznih stroškov nadomestnih delov in ustreznih zahtevanih delovnih ur, če ni predložena kopija nakupnega dokumenta. Če mora popravilo opraviti naš servisni oddelček, stroške prevoza (do in nazaj) v celoti krije pošiljatelj (stranka). Žarnice je treba poslati v popravilo podjetju ali pooblaščenim servisnim delavnicam na ustrezen način in z ustreznim prevoznim sredstvom.

#### GARANCIJSKE IZJEME IN OMEJITVE:

- 1) Rezervni deli, ki se naravno obrabijo zaradi uporabe (potrošni deli).
- 2) Žare, ki so poškodovane zaradi neupoštevanja navodil proizvajalca.
- 3) Žare, ki so slabo vzdrževane.
- 4) Uporaba neustreznih čistilnih sredstev ali dodatkov.
- 5) Žare, ki so bile brezplačno dane v uporabo tretjim osebam.
- 6) Poškodbe ali nepravilno delovanje, ki so posledica nepravilnega postopka čiščenja žara.
- 7) Stik žara s kemikalijami ali poškodbe zaradi vlage ali korozije.
- 8) Žare, ki ga je spremenilo ali odprlo nepooblaščen osebe.
- 9) Pokvarjeni deli/komponente, ki so posledica neustrezne uporabe.
- 10) Žare, ki se uporabljajo za najem.

Garancija zajema le brezplačno zamenjavo sestavnega dela, pri katerem se pojavi proizvodna napaka ali okvara materiala. V primeru pomanjkanja specifičnega nadomestnega dela si podjetje pridržuje pravico, da žar zamenja z drugim ustreznim modelom. Po zaključku vseh garancijskih postopkov se garancijski rok žara ne podaljša ali obnovi. Zamenjava nadomestnega dela s plačilom popravila je ob upoštevanju garancijskih pogojev zajeta z enoletno garancijo za dobro delovanje. Zamenjani nadomestni deli ali žari ostanejo v lasti našega podjetja. Zahteva, razen tistih, ki so navedene v tem garancijskem obrazcu, v zvezi s popravili žarov ali njihovimi poškodbami, ne veljajo. Za to garancijo velja grška zakonodaja in sorodni predpisi.

## GARANCIJE

### SR

Roštilji su proizvedeni po strogim standardima koje je postavila naša kompanija, a koji su usklađeni sa odgovarajućim evropskim standardima kvaliteta. Roštilji naše kompanije imaju garantni rok od 24 meseca. Garancija važi od dana kupovine proizvoda. Dokaz o garantnom pravu je kupoprodajni dokument roštilja (maloprodajni račun ili faktura). Preduzeće ni pod kojim okolnostima neće pokriti relevantne troškove rezervnih delova i odgovarajuće radno vreme osim ako se ne priloži kopija dokumenta o kupovini. U slučaju da popravku treba da uradi naš servis, trošak transporta (do i od) u potpunosti snosi pošiljalac (klijent). Roštilj se mora poslati na popravku u preduzeće ili u ovlašćenu radionicu na odgovarajući način i prevozno sredstvo.

#### IZUZEĆA I OGRANIČENJA GARANCIJE:

- 1) Rezervni delovi koji se prirodno troše kao posledica korišćenja (potrošni delovi).
- 2) Roštilji oštećeni kao posledica nepoštovanja uputstava proizvođača.
- 3) Roštilji su loše održavani.
- 4) Upotreba neodgovarajućih deterdženata ili pribora.
- 5) Roštilj dati trećim licima bez naknade.
- 6) Oštećenje ili kvar nastao usled nepravilnog postupka čišćenja roštilja.
- 7) Dodir roštilja sa hemikalijama, ili oštećenje usled vlage ili korozije.
- 8) Roštilj koji je modifikovan ili otvoren od strane neovlašćenog osoblja.
- 9) Polomljeni delovi/komponente kao rezultat nepravilne upotrebe.
- 10) Roštilji koji se koriste za iznajmljivanje.

Garancija pokriva samo besplatnu zamenu komponente koja predstavlja proizvodni nedostatak ili kvar materijala. U slučaju nedostatka određenog rezervnog dela kompanija zadržava pravo da zameni roštilj drugim odgovarajućim modelom. Nakon završetka svih garantnih postupaka, garantni rok roštilja se ne može produžavati niti obnavljati. Zamena rezervnog dela uz naknadu za popravku je pokrivena garancijom od 1 godine na dobar rad, uz poštovanje uslova garancije. Rezervni delovi ili roštilji koji su zamenjeni ostaju u posedu naše kompanije. Zahtevi, osim onih navedenih u ovom obrascu garancije, u vezi sa popravkom roštilja ili njihovim oštećenjem, ne važe. Na ovu garanciju se primenjuju grčki zakoni i odgovarajući propisi.

## ZÁRUKA

### SK

Grily boli vyrobené podľa prísnych noriem stanovených našou spoločnosťou, ktoré sú v súlade s príslušnými európskymi normami kvality. Na grily našej spoločnosti je poskytovaná záručná doba 24 mesiacov. Záruka je platná odo dňa zakúpenia produktu. Dokladom o záručnom práve je nákupný doklad grilu (predajný doklad alebo faktúra). Spoločnosť za žiadnych okolností nebude hradit príslušné náklady na náhradné diely a príslušný požadovaný pracovný čas, pokiaľ nebude predložená kópia nákupného dokladu. V prípade, že opravu musí vykonať naše servisné oddelenie, náklady na dopravu (do az) znáša v plnej miere odosielateľ (klient). Grily je potrebné zaslať na opravu do firmy alebo do autorizovanej dielne vhodným spôsobom a dopravnými prostriedkami.

#### VÝNIMKY A OBMEDZENIA TÝKAJÚCE SA ZÁRUKY:

- 1) Náhradné diely, ktoré sa prirodzene opotrebúvajú v dôsledku používania (spotrebné diely).
- 2) Poškodené grily v dôsledku nedodržania pokynov výrobcu.
- 3) Grily sa zle udržiavajú.
- 4) Používanie nevhodných čistiacich prostriedkov alebo príslušenstva.
- 5) Grily poskytnuté tretím subjektom bezplatne.
- 6) Poškodenie alebo porucha v dôsledku nesprávneho postupu čistenia grilu.
- 7) Kontakt grilu s chemikáliami alebo poškodenie v dôsledku vlhkosti alebo korózie.
- 8) Grily, ktoré boli upravené alebo otvorené neoprávnenou osobou.
- 9) Poškodené diely/komponenty v dôsledku nesprávneho používania.
- 10) Grily používané na prenájom.

Záruka sa vzťahuje len na bezplatnú výmenu komponentu, ktorý vykazuje výrobnú chybu alebo poruchu materiálu. V prípade nedostatku konkrétneho náhradného dielu si spoločnosť vyhradzuje právo nahradiť gril za iný zodpovedajúci model. Po ukončení všetkých záručných postupov sa záručná doba grilu nepredlžuje ani neobnovuje. Na výmenu náhradného dielu s poplatkom za opravu sa vzťahuje 1-ročná záruka na bezchybnú prevádzku pri dodržaní záručných podmienok. Náhradné diely alebo grily, ktoré sa vymenia, zostávajú vo vlastníctve našej spoločnosti. Iné požiadavky ako tie, ktoré sú uvedené v tomto záručnom liste, týkajúce sa opráv grilu alebo jeho poškodenia, neplatia. Na túto záruku sa vzťahujú grécke zákony a príslušné predpisy.

## ГАРАНЦИЯ

BG

Гриловете са произведени в съответствие със строги стандарти, установени от нашата компания, които са в съответствие със съответните европейски стандарти за качество. Гриловете на нашата компания се предлагат с гаранционен срок от 24 месеца. Гаранцията е валидна от датата на закупуване на продукта. Доказателство за правото на гаранция е документът за закупуване на грила (касова бележка от магазин или фактура). При никакви обстоятелства фирмата не покрива съответните разходи за резервни части и съответните необходими работни часове, ако не бъде представено копие от документа за покупка. В случай че ремонтът трябва да бъде извършен от нашия сервизен отдел, разходите за транспорт (до и от) се поемат изцяло от изпращача (клиента). Гриловете трябва да бъдат изпратени за ремонт в компанията или в оторизиран сервиз по подходящ начин и с подходящо транспортно средство.

### ОСВОБОЖДАВАНЕ ОТ ГАРАНЦИЯ И ОГРАНИЧЕНИЯ:

- 1) Резервни части, които се износват по естествен начин вследствие на използването им (части за изхабяване).
- 2) Грилове, повредени в резултат на неспазване на инструкциите на производителя.
- 3) Грилове, които са лошо поддържани.
- 4) Използване на неподходящи почистващи препарати или аксесоари.
- 5) Грилове, предоставени безплатно на трети лица.
- 6) Повреда или неизправност в резултат на неправилна процедура за почистване на грила.
- 7) Контакт на грила с химикали или повреда в резултат на влага или корозия.
- 8) Грилове, които са били модифицирани или отворени от неупълномощен персонал.
- 9) Счупени части/компоненти в резултат на неподходяща употреба.
- 10) Грилове, използвани под наем.

Гаранцията покрива само безплатната подмяна на компонента, който представлява производствен дефект или повреда на материала. В случай на липса на специфицирана резервна част фирмата си запазва правото да замени грила с друг съответен модел. След приключване на всички гаранционни процедури гаранционният срок на грила не се удължава или подновява. Замяната на резервна част с такса за ремонт се покрива от 1-годишна гаранция за добра експлоатация, при спазване на гаранционните условия. Заменените резервни части или грилове остават в притежание на нашата компания. Изисквания, различни от посочените в този гаранционен формуляр, относно ремонта на гриловете или повредите по тях, не се прилагат. Към тази гаранция се прилагат гръцкото законодателство и съответните разпоредби.

## GARANȚIE

RO

Grătarele au fost fabricate în conformitate cu standardele stricte, stabilite de compania noastră, care sunt aliniate la standardele de calitate europene respective. Grătarele companiei noastre sunt prevăzute cu o perioadă de garanție de 24 de luni. Garanția este valabilă de la data achiziționării produsului. Dovada dreptului la garanție este documentul de cumpărare a grătarului (chitanță de vânzare cu amănuntul sau factură). În niciun caz compania nu va acoperi costul relevant al pieselor de schimb și al orelor de lucru necesare respective dacă nu este prezentată o copie a documentului de achiziție. În cazul în care reparația trebuie efectuată de departamentul nostru de service, costul transportului (dus-întors) este suportat în întregime de expeditor (client). Grătarele trebuie trimise pentru reparație la companie sau la un atelier autorizat în modul și mijloacele de transport corespunzătoare.

### SCUTIRI ȘI RESTRICȚII DE GARANȚIE:

- 1) Piese de schimb care se uzează în mod natural ca urmare a utilizării (piese consumabile).
- 2) Grătare deteriorate ca urmare a nerespectării instrucțiunilor producătorului.
- 3) Grătare prost întreținute.
- 4) Utilizarea de detergenți sau accesorii necorespunzătoare.
- 5) Grătare date în folosință gratuită unor terțe entități.
- 6) Deteriorarea sau funcționarea defectuoasă ca urmare a procedurii necorespunzătoare de curățare a grătarului.
- 7) Contactul grătarului cu substanțe chimice sau deteriorarea ca urmare a umidității sau coroziunii.
- 8) Grătare care au fost modificate sau deschise de personal neautorizat.
- 9) Părți/componente rupte ca urmare a utilizării necorespunzătoare.
- 10) Grătare utilizate pentru închiriere.

Garanția acoperă numai înlocuirea gratuită a componentei care prezintă un defect de fabricație sau o defecțiune a materialului. În cazul lipsei unei piese de schimb specifice, compania își rezervă dreptul de a înlocui grătarul cu un alt model corespunzător. După încheierea tuturor procedurilor de garanție, perioada de garanție a grătarului nu va fi prelungită sau reînnoită. Înlocuirea unei piese de schimb cu taxă de reparație este acoperită de o garanție de 1 an de bună funcționare, sub rezerva respectării condițiilor de garanție. Piesele de schimb sau grătarele care sunt înlocuite rămân în posesia societății noastre. Nu se aplică cerințe, altele decât cele menționate în acest formular de garanție, privind repararea grătarelor sau deteriorarea acestora. Legislația elenă și reglementările aferente se aplică prezentei garanții.

## ГАРАНЦИЈА

NMK

Решетките се произведени по строги стандарти поставени од нашата компанија, кои се усогласени со соодветните европски стандарди за квалитет. Решетките на нашата компанија се обезбедени со гарантен рок од 24 месеци. Гаранцијата важи од датумот на купување на производот. Доказ за гарантното право е купопродажниот документ на скарата (потврда за малопродажба или фактура). Компанијата во никој случај нема да ги покрие релевантните трошоци за резервни делови и соодветното потребно работно време, освен ако не се прикаже копија од купопродажниот документ. Во случај поправката да ја изврши нашиот сервизен оддел, трошоците за превоз (до и од) целосно се на товар на испраќачот (клиентот). Решетките мора да се испратат на поправка до компанијата или до овластена работилница на соодветен начин и транспортни средства.

### ОСЛОБОДУВАЊА И ОГРАНИЧУВАЊА НА ГАРАНЦИЈАТА:

- 1) Резервни делови кои природно се истрошија како последица на употребата (потрошни делови).
- 2) Решетки оштетени како резултат на непочитување на упатствата на производителот.
- 3) Скари лошо одржувани.
- 4) Употреба на несоодветни детергенти или додатоци.
- 5) Бесплатно дадени скари на трети лица.
- 6) Оштетување или неизправност како резултат на неправилна процедура за чистење на скарата.
- 7) Контакт на скарата со хемикалии или оштетување како резултат на влага или корозия.
- 8) Решетки кои се модифицирани или отворени од неовластен персонал.
- 9) Скршени делови/компоненти како резултат на несоодветна употреба.
- 10) Решетки кои се користат за изнајмување.

Гаранцијата покрива само бесплатна замена на компонентата што претставува производствен дефект или дефект на материјалот. Во случај на недостаток на специфичен резервен дел, компанијата го задржува правото да ја замени решетката со друг соодветен модел. Откако ќе се завршат сите гарантни процедури, гарантниот период на скарата нема да се продолжува или обновува. Замената на резервниот дел со наплата за поправка е покриена со 1 година гаранција за добро работење, под услов да се почитуваат условите за гаранција. Резервните делови или скари кои се заменуваат остануваат во сопственост на нашата компанија. Барањата, освен оние споменати во овој гарантен формулар, во врска со поправки на скари или нивни оштетувања, не се применуваат. За оваа гаранција се применуваат грчките закони и релативните регулативи.

## GARANCIA

HUN

A grillrácscok a vállalatunk által meghatározott szigorú szabványok szerint készültek, amelyek összhangban vannak a vonatkozó európai minőségi szabványokkal. Cégünk grillrácscsaira 24 hónapos garanciát vállalunk. A garancia a termék megvásárlásának napjától érvényes. A jótállási jog igazolása a grill vásárlását igazoló dokumentum (kiskereskedelmi blokk vagy számla). A vállalat semmilyen körülmények között nem fedezi a pótalkatrészek és a megfelelő szükséges munkakörök vonatkozó költségeit, ha a vásárlási dokumentum másolatát nem mutatják be. Amennyiben a javítást szervizünknek kell elvégeznie, a szállítási (oda- és visszazállítás) költségei teljes egészében a feladót (ügyfelet) terhelik. A rácscokot a megfelelő módon és szállítóeszközzel kell elküldeni javításra a vállalathoz vagy egy erre felhatalmazott műhelybe.

### GARANCIAÁLIS MENTESSÉGEK ÉS KORLÁTOZÁSOK:

- 1) Pótalkatrészek, amelyek a használat következtében természetes módon elhasználódnak (fogyó alkatrészek).
- 2) A gyártó utasításainak be nem tartása következtében sérült rácscok.
- 3) Rosszul karbantartott rácscok.
- 4) Nem megfelelő tisztítószer vagy tartozékok használata.
- 5) Harmadik személyeknek ingyenesen átadott grillek.
- 6) A grill nem megfelelő tisztítási eljárásából eredő károsodás vagy meghibásodás.
- 7) A grill vegyi anyagokkal való érintkezése, illetve nedvesség vagy korrózió következtében bekövetkező károsodás.
- 8) Olyan grillek, amelyeket illetéktelen személyek módosítottak vagy nyitottak fel.
- 9) Nem megfelelő használat következtében eltört alkatrészek/komponensek.
- 10) Bérbeadásra használt grillek.

A garancia kizárólag a gyártási hibát vagy anyaghibát jelentő alkatrész ingyenes cseréjére terjed ki. Specifikus pótalkatrész hiánya esetén a vállalat fenntartja a jogot, hogy a grillt egy másik megfelelő modellre cserélje. Az összes garanciális eljárás lezárását követően a grill garanciális ideje nem hosszabbítható meg, illetve nem újítható meg. A javítási költséggel járó pótalkatrész cseréjére 1 év jótállás vonatkozik, a garanciális feltételek betartása mellett. A kicserélt pótalkatrészek vagy grillek cégünk tulajdonában maradnak. A rácscok javítására vagy sérülésére vonatkozó, a jelen jótállási nyilatkozatban említettetől eltérő követelmények nem érvényesek. A jelen garanciára a görög törvények és a vonatkozó előírások vonatkoznak.

## GARANZIJA

MLT

Il-grills ġew manifatturati skont standards stretti, stabbiliti mill-kumpanija tagħna, li huma allinjati mal-istandards ta' kwalità Ewropej rispettivi. Il-grills tal-kumpanija tagħna huma pprovduti b'perjodu ta' garanzija ta' 24 xahar. Il-garanzija hija valida mid-data tax-xiri tal-prodott. Prova tad-dritt tal-garanzija hija d-dokument tax-xiri tal-grill (irċevuta bl-immunt jew fattura). Taħt l-ebda ċirkostanza l-kumpanija m'għandha tkopri l-ispiża rilevanti tal-ispare parts u l-hinjiet tax-xogħol rispettivi meħtieġa sakemm ma tiġix ipprezentata kopja tad-dokument tax-xiri. F'każ li t-tiswija trid issir mid-dipartiment tas-servizz tagħna, l-ispiża tat-trasport (lejn u minn) tithallas għal kollox mill-mittent (il-klijent). Il-grills għandhom jintbagħtu għat-tiswija lill-kumpanija jew lil hanut tax-xogħol awtorizzat bil-mod u mezz ta' trasport xieraq.

### EŻENZJONIJET U RESTRIZZJONIJET TA' GARANZIJA:

- 1) Spare parts li jintlibsu b' mod naturali bħala konsegwenza tal-użu (partijiet li jistgħu jintefqu).
- 2) Gradilji bil-ħsara bħala riżultat ta' nuqqas ta' konformità mal-istruzzjonijiet tal-manifattur.
- 3) Gradilji mizmuma hażin.
- 4) Użu ta' deterġenti jew aċċessorji mhux xieraq.
- 5) Grills mogħtija lil entitajiet terzi mingħajr ħlas.
- 6) Ħsara jew ħsara li tirriżulta minn proċedura ta' tindif mhux xieraq tal-grill.
- 7) Kuntatt tal-grill ma 'kimiċi, jew ħsara bħala riżultat ta' umdità jew korrużjoni.
- 8) Gradilji li ġew modifikati jew miftuħa minn persunal mhux awtorizzat.
- 9) Partijiet/komponenti miksura bħala riżultat ta' użu mhux xieraq.
- 10) Gradilji użati għall-kera.

Il-garanzija tkopri biss is-sostituzzjoni bla ħlas tal-komponent li jipprezenta difett fil-manifattura jew ħsara fil-materjal. F'każ ta' nuqqas ta' spare part speċifika, il-kumpanija tirriżerva d-dritt li tissostitwixxi l-grill b' mudell ieħor korrispondenti. Wara li l-proċeduri tal-garanzija kollha jkunu ġew konklużi, il-perjodu tal-garanzija tal-grill m'għandux jiġi estiz jew imġedd. Is-sostituzzjoni ta' spare part bi ħlas ta' tiswija hija koperta minn garanzija ta' 'sena ta' tħaddim tajjeb, soġġetta għal konformità mat-termini tal-garanzija. L-ispare parts jew grills li jiġu sostitwiti jibqgħu fil-pussess tal-kumpanija tagħna. Rekwiżiti, minbarra dawk imsemmija f'din il-formola ta' garanzija, dwar tiswijiet ta' grills jew ħsara tagħhom, ma japplikawx. Il-liġi Griega u r-regolamenti relattivi japplikaw għal din il-garanzija.

## GARANTÍA

ES

Las parrillas han sido fabricadas de acuerdo con estrictas normas, establecidas por nuestra empresa, que están alineadas con las respectivas normas de calidad europeas. Las parrillas de nuestra empresa tienen una garantía de 24 meses. La garantía es válida a partir de la fecha de compra del producto. La prueba del derecho de garantía es el documento de compra de la parrilla (recibo de compra o factura). La empresa no se hará cargo en ningún caso del coste correspondiente de las piezas de recambio y de las respectivas horas de trabajo necesarias si no se presenta una copia del documento de compra. En caso de que la reparación tenga que ser realizada por nuestro departamento de servicio, el coste del transporte (ida y vuelta) correrá íntegramente a cargo del remitente (cliente). Las parrillas deben enviarse para su reparación a la empresa o a un taller autorizado en la forma y medio de transporte adecuados.

### EXENCIONES Y RESTRICCIONES DE LA GARANTÍA:

- 1) Piezas de recambio que se desgastan de forma natural como consecuencia de su uso (piezas fungibles).
- 2) Parrillas dañadas como consecuencia del incumplimiento de las instrucciones del fabricante.
- 3) Parrillas mal mantenidas.
- 4) Uso de detergentes o accesorios inadecuados.
- 5) Parrillas cedidas gratuitamente a terceras entidades.
- 6) Daños o mal funcionamiento resultantes de un procedimiento inadecuado de limpieza de la parrilla.
- 7) Contacto de la parrilla con productos químicos, o daños como consecuencia de la humedad o la corrosión.
- 8) Parrillas que hayan sido modificadas o abiertas por personal no autorizado.
- 9) Piezas/componentes rotos como consecuencia de un uso inadecuado.
- 10) Parrillas utilizadas para alquiler.

La garantía cubre únicamente la sustitución gratuita del componente que presente un defecto de fabricación o fallo de material. En caso de falta de un recambio específico la empresa se reserva el derecho de sustituir la parrilla por otro modelo correspondiente. Una vez concluidos todos los trámites de garantía, el periodo de garantía de la parrilla no se ampliará ni renovará. La sustitución de una pieza de repuesto con cargo de reparación está cubierta por una garantía de 1 año de buen funcionamiento, siempre que se cumplan las condiciones de la garantía. Las piezas de recambio o parrillas sustituidas quedan en posesión de nuestra empresa. No se aplican requisitos, distintos de los mencionados en este formulario de garantía, relativos a reparaciones de parrillas o daños de las mismas. Esta garantía está sujeta a la legislación griega y a la normativa correspondiente.

## GARANCIJE

HR

Roštilji su proizvedeni prema strogim standardima koje postavlja naša tvrtka, a koji su usklađeni s odgovarajućim europskim standardima kvalitete. Roštilji naše tvrtke imaju jamstvo od 24 mjeseca. Jamstvo vrijedi od datuma kupnje proizvoda. Dokaz prava iz jamstva je kupoprodajni dokument roštilja (maloprodajni račun ili račun). Ni pod kojim okolnostima tvrtka neće pokriti relevantne troškove rezervnih dijelova i odgovarajućih potrebnih radnih sati osim ako se ne predoči kopija dokumenta o kupnji. U slučaju da popravak mora obaviti naš servis, troškove prijevoza (do i od) u cijelosti snosi pošiljatelj (klijent). Roštilje je potrebno poslati na popravak poduzeću ili u ovlaštenu servis odgovarajućim načinom i prijevoznim sredstvom.

### IZUZETA I OGRANIČENJA JAMSTVA:

- 1) Rezervni dijelovi koji se prirodno troše kao posljedica korištenja (potrošni dijelovi).
- 2) Roštilji oštećeni zbog nepridržavanja uputa proizvođača.
- 3) Roštilji loše održavani.
- 4) Korištenje neodgovarajućih deterdženata ili dodataka.
- 5) Roštilji ustupljeni trećim osobama bez naknade.
- 6) Oštećenje ili neispravnost uzrokovana nepravilnim postupkom čišćenja roštilja.
- 7) Doticaj roštilja s kemikalijama ili oštećenje uslijed vlage ili korozije.
- 8) Roštilji koje je modificirala ili otvorila neovlaštena osoba.
- 9) Slomljeni dijelovi/komponente kao rezultat neprikladne uporabe.
- 10) Roštilji koji se koriste za iznajmljivanje.

Jamstvo pokriva samo besplatnu zamjenu komponente koja predstavlja grešku u proizvodnji ili grešku u materijalu. U slučaju nedostatka određenog rezervnog dijela zadržava pravo zamjene roštilja drugim odgovarajućim modelom. Nakon završetka svih jamstvenih postupaka, jamstveni rok roštilja ne može se produžiti niti obnoviti. Zamjena rezervnog dijela uz naknadu za popravak pokrivena je 1-godišnjim jamstvom dobrog rada, podložno poštivanju uvjeta jamstva. Zamijenjeni rezervni dijelovi ili rešetke ostaju u vlasništvu naše tvrtke. Zahtjevi, osim onih navedenih u ovom obrascu jamstva, koji se odnose na popravke roštilja ili njihovo oštećenje, ne vrijede. Grčki zakon i odgovarajući propisi vrijede za ovo jamstvo.

## GWARANCJA

PL

Grille zostały wyprodukowane zgodnie z rygorystycznymi normami ustalonymi przez naszą firmę, które są zgodne z odpowiednimi europejskimi normami jakości. Grille naszej firmy są objęte 24-miesięcznym okresem gwarancyjnym. Gwarancja jest ważna od daty zakupu produktu. Dowodem prawa do gwarancji jest dokument zakupu grilla (paragon lub faktura). W żadnym wypadku firma nie pokryje odpowiednich kosztów części zamiennych i wymaganych godzin pracy, jeśli nie zostanie przedstawiona kopia dokumentu zakupu. W przypadku, gdy naprawa musi zostać wykonana przez naszą służbę serwisową, koszt transportu (do i z) jest w całości ponoszony przez nadawcę (klienta). Grille muszą zostać wysłane do naprawy do firmy lub autoryzowanego warsztatu w odpowiedni sposób i środkiem transportu.

### WYŁĄCZENIA I OGRANICZENIA GWARANCJI:

- 1) Części zamienne, które ulegają naturalnemu zużyciu w wyniku użytkowania (części zużywalne).
- 2) Grille uszkodzone w wyniku nieprzestrzegania instrukcji producenta.
- 3) Grille niewłaściwie konserwowane.
- 4) Używanie niewłaściwych detergentów lub akcesoriów.
- 5) Grille przekazane nieodpłatnie osobom trzecim.
- 6) Uszkodzenia lub usterki wynikające z niewłaściwej procedury czyszczenia grilla.
- 7) Kontakt grilla z chemikaliami lub uszkodzenie w wyniku wilgoci lub korozji.
- 8) Grille, które zostały zmodyfikowane lub otwarte przez nieupoważniony personel.
- 9) Uszkodzone części/elementy w wyniku niewłaściwego użytkowania.
- 10) Grille używane do wynajmu.

Gwarancja obejmuje wyłącznie bezpłatną wymianę elementu, który wykazuje wadę produkcyjną lub materiałową. W przypadku braku określonej części zamiennej firma zastrzega sobie prawo do wymiany grilla na inny odpowiedni model. Po zakończeniu wszystkich procedur gwarancyjnych okres gwarancji grilla nie zostanie przedłużony ani odnowiony. Wymiana części zamiennej za opłatą naprawczą jest objęta roczną gwarancją dobrego działania, pod warunkiem przestrzegania warunków gwarancji. Wymienione części zamienne lub grille pozostają w posiadaniu naszej firmy. Wymagania inne niż wymienione w niniejszym formularzu gwarancyjnym, dotyczące naprawy lub uszkodzenia grilla, nie mają zastosowania. Do niniejszej gwarancji stosuje się prawo greckie i odpowiednie przepisy.

# Declaration of Conformity / Δήλωση Συμμόρφωσης

Product Name: FORGE OUTDOOR GAS GRILL

Όνομα Προϊόντος: ΨΗΣΤΑΡΙΑ ΥΓΡΑΕΡΙΟΥ FORGE

Model / Μοντέλο: BBQ6020, BBQ6030, BBQ6031, BBQ6041

EN	<b>CE - DECLARATION OF CONFORMITY</b> We declare under our sole responsibility that the product described under "Technical Data" is in conformity with the following standards or standardized documents and in accordance with the regulations:	SK	<b>ER - VYHLÁSENIE O ZHODE</b> Vyhlasujeme na vlastnú zodpovednosť, že výrobok opísaný v časti "Technické údaje" je v súlade s nasledujúcimi normami alebo štandardnými dokumentmi, podľa predpisov smerníc:
DE	<b>CE - KONFORMITÄTSEKTLÄRUNG</b> Wir erklären in alleiniger Verantwortung, dass das unter „Technische Daten“ beschriebene Produkt den folgenden Normen oder standardisierten Dokumenten entspricht, gemäß den Bestimmungen der Richtlinien:	BG	<b>ЕС - ДЕКЛАРАЦИЯ ЗА СЪОТВЕТСТВИЕ</b> Ние декларираме на наша отговорност единствено, че продуктът, описан в "Технически данни" е в съответствие със следните стандарти или стандартизирани документи, съобразно предписанията на директивите:
FR	<b>CE - DECLARATION DE CONFORMITÉ</b> Nous déclarons sous notre seule responsabilité que le produit décrit sous «Données techniques» est conforme aux normes ou documents normalisés suivants, conformément aux réglementations:	RO	<b>CE - DECLARAȚIE DE CONFORMITATE</b> Declarăm pe propria răspundere că produsul descris în secțiunea "Date tehnice" este în conformitate cu următoarele standarde sau documente standardizate, în conformitate cu reglementările:
SPA	<b>CE - DECLARACION DE CONFORMIDAD</b> Declaramos bajo nuestra exclusiva responsabilidad que el producto descrito en "Datos técnicos" cumple con las siguientes normas o documentos estandarizados, de acuerdo con los requisitos de las directivas:	NMK	<b>ЕС - ДЕКЛАРАЦИЈА ЗА СООБРАЗНОСТ</b> Под наша одговорност изјавуваме дека производот опишан под "Технички податоци" е во согласност со следните стандарди или стандартизирани документи и во согласност со прописите:
IT	<b>CE - DICHIARAZIONE DI CONFORMITÀ</b> Dichiariamo sotto la nostra esclusiva responsabilità che il prodotto descritto sotto "Dati tecnici" è conforme alle seguenti norme o documenti standardizzati e in accordo con i regolamenti:	HUN	<b>ET - MEGFELELŐSÉGI NYILATKOZAT</b> Kizárólagos felelősségünkkel kijelentjük, hogy a „Műszaki adatok” alatt leírt termék megfelel az alábbi szabványoknak vagy szabványosított dokumentumoknak, szabályoknak megfelelően:
SLO	<b>ES - IZJAVA O KONFORMNOSTI</b> Izjavljamo pod izključno odgovornostjo, da je izdelek, opisan pod „Tehnični podatki”, v skladu z naslednjimi standardi ali standardiziranimi dokumenti, v skladu z določili smernic:	POL	<b>RE - DEKLARACJA ZGODNOŚCI</b> Deklarujemy, na naszą wyłączną odpowiedzialność, że produkt opisany w "Danych technicznych" jest zgodny z następującymi normami lub standardowymi dokumentami, zgodnie z przepisami:
EL	<b>Δήλωση συμμόρφωσης ΕΚ</b> Δηλώνουμε υπεύθυνα ότι το προϊόν που περιγράφεται στο κεφάλαιο «Τεχνικά Χαρακτηριστικά» είναι συμβατό με τις ακόλουθες διατάξεις της κοινοτικής οδηγίας και με τα ακόλουθα εναρμονισμένα κανονιστικά πρότυπα:	POR	<b>CE - DECLARAÇÃO DE CONFORMIDADE</b> Declaramos sob nossa exclusiva responsabilidade que o produto descrito em "Dados técnicos" está em conformidade com as seguintes normas ou documentos padronizados, de acordo com os regulamentos:
MLT	<b>KE - DIKJARAZZJONI TA 'KONFORMITÀ</b> Aħna niddikjaraw taht ir-responsabbiltà unika tagħna li l-prodott deskritt taht "Data Teknika" huwa konformi ma 'l-istandards jew id-dokumenti standardizzati li għejjin, skond ir-regolamenti:	SRB	<b>ЕС - ДЕКЛАРАЦИЈА КОНФОРМИТЕТА</b> Изузетно изјављујемо да је производ описан у „Техничким подацима” у складу са следећим стандардима или стандартизованим документима и у складу са прописима:
HR	<b>EV - IZJAVA O SUKLADNOSTI</b> Izjavljujemo da smo pod isključivom odgovornošću da je proizvod opisan u „Tehničkim podacima” u skladu sa sljedećim standardima ili standardiziranim dokumentima i u skladu sa propisima:	ALB	<b>KE - Deklarata e Konformitetit</b> Ne deklarojmë nën përgjegjësinë tonë vetëm se produkti i përshkruar në "Të dhënat teknike" është në përputhje me standardet e mëposhtme ose dokumentet e standardizuara dhe në përputhje me rregulloret:

(EU) 2006/426 Annex I

EN 498:2012  
EN 484:2019+AC:2020

Date of Issue: 06/08/2025

Ημερομηνία Δήλωσης:

Under the responsibility of:

Υπεύθυνος:

D. Nikolaou S.A

Δ. Νικολάου ΑΕΒΕ





The instructions manual is also available in digital format on our website  
[www.nikolaoutools.com](http://www.nikolaoutools.com). Find it by entering the product code in the Search "Q" field.

Μπορείτε να βρείτε τις οδηγίες χρήσης και σε ηλεκτρονική μορφή μέσω της ιστοσελίδας μας  
[www.nikolaoutools.com](http://www.nikolaoutools.com). Αναζητήστε τις με τον κωδικό προϊόντος στο πεδίο Αναζήτηση "Q".