

BORMANN[®]

PRO

Built to last.



BBP5330
073871

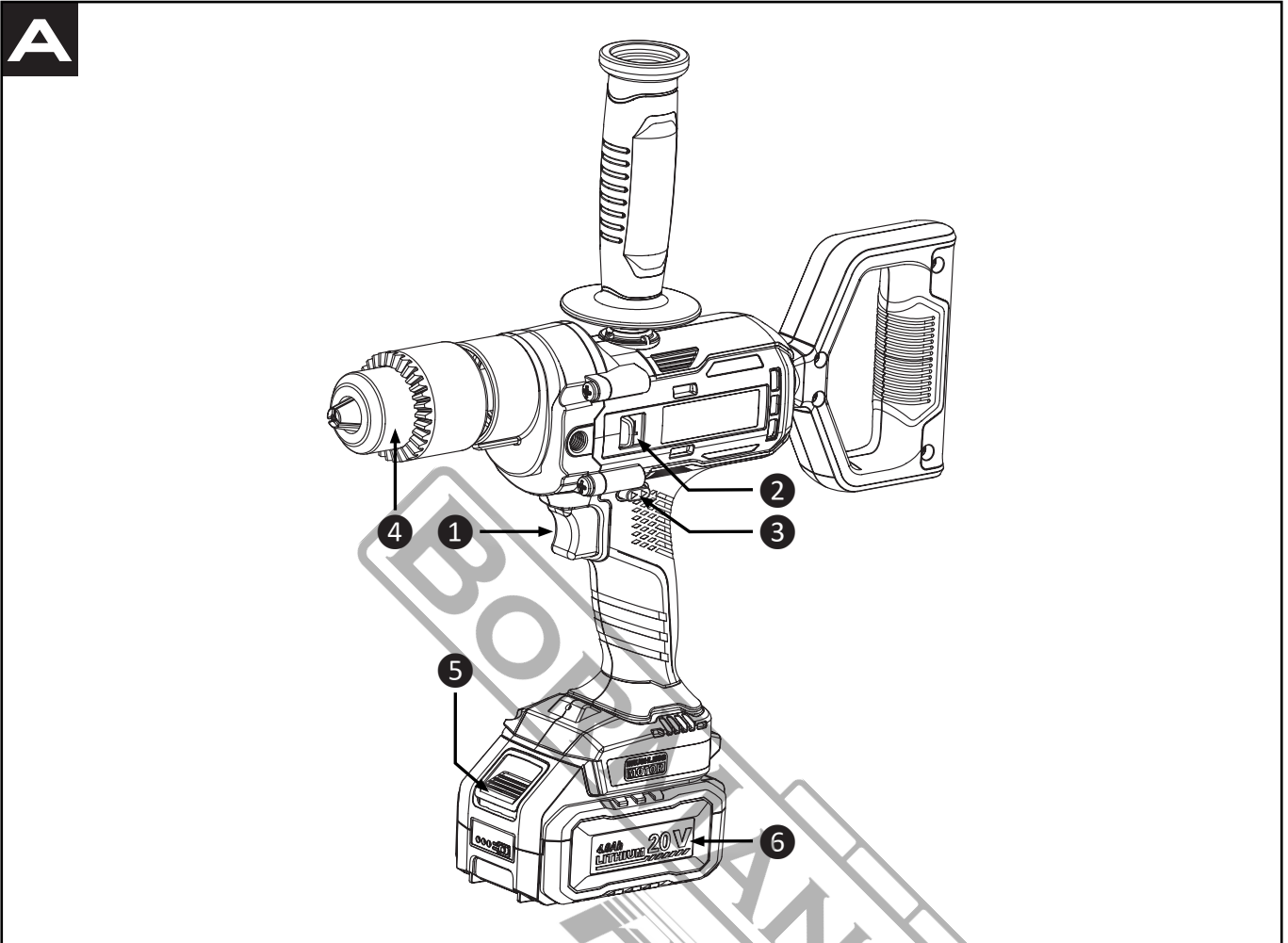
EN IT
EL BG
RO HR

v2.2



WWW.NIKOLAOUTOOLS.COM





EN

1. ON/OFF trigger
2. Speed selector
3. Rotation direction switch
4. Chuck
5. Battery button
6. Battery (not included)

IT

1. Grilletto ON/OFF (acceso/spento)
2. Selettore di velocità
3. Interruttore del senso di rotazione
4. Mandrino
5. Pulsante della batteria
6. Batteria (non inclusa)

EL

1. Σκανδάλη ON/OFF
2. Επιλογέας ταχύτητας
3. Διακόπτης φοράς περιστροφής
4. Τσοκ
5. Κουμπί μπαταρίας
6. Μπαταρία (δεν περιλαμβάνεται)

BG

1. Спусък ON/OFF (вкл/изкл)
2. Селектор на скоростта
3. Превключвател на посоката на въртене
4. Патронник
5. Бутон на батерията
6. Батерия (не е включена в комплекта)

RO

1. Trăgaci ON/OFF (pornit/oprit)
2. Selector de viteză
3. Comutator de direcție de rotație
4. Mandrină
5. Buton de baterie
6. Baterie (nu este inclusă)

HR

1. Okidač ON/OFF (uključivanje/isključivanje)
2. Birač brzine
3. Prekidač smjera rotacije
4. Stezna glava
5. Gumb za bateriju
6. Baterija (nije uključena)

SYMBOLS



Wear eye protection.



Wear hearing protection.



Wear a safety mask.



Do not expose the unit to rain or moisture.



Keep the unit away from fire and intense heat.

SAFETY INSTRUCTIONS



Warning: Read the manual carefully before use. Failure to follow the warnings and instructions may result in damage to the unit and/or physical injury. Store the manual in a safe place for future reference.

General power tool safety warnings

Work area safety

- Keep the work area clean and well lit. Dark or cluttered areas could lead to accidents.
- Do not operate power tools in explosive atmospheres, such as in the presence of flammable liquids or fumes, gases or dust. Power tools could create sparks which may ignite the gases or fumes.
- Keep children and bystanders at a safe distance while operating the power tool.

Electrical safety

- Make sure that power tool plugs match the outlet. Do not ever modify the plug in any way. Do not use adapter plugs with earthed power tools. Using unmodified plugs and matching outlets will reduce the risk of electric shock.
- Avoid body contact with earthed or grounded materials or objects, such as radiators, pipes, ranges and refrigerators. There is a tremendous risk of electric shock if your body is earthed or grounded.
- Do not expose power tools to rain or any other wet conditions. Water entering a power tool could increase the risk of electric shock.
- Do not abuse the power cord. Never use the cord for carrying, pulling or unplugging the electric tool. Keep the cord in a safe distance from heat, oil, sharp edges and any moving parts. Damaged or entangled cords will increase the risk of electric shock.
- When operating an electric power tool outdoors, use an extension cable which has the appropriate specifications for outdoor use. Use of an extension cable suitable for outdoor use reduces the risk of electric shock.
- If operating a power tool in a damp location cannot be avoided, use a residual current device (RCD) protected supply. Use of an RCD reduces the risk of electric shock.

Personal safety

- Stay alert, watch what you are doing and use common sense when operating the power tool. Do not use the power tool if you are feeling tired or are under the influence of alcohol, drugs, or medication. A moment of inattention while operating the power tool may result in serious personal injury.
- Use personal protective equipment. Always wear eye protection. Protective equipment such as a dust mask, hearing protection, non-skid safety shoes or protective helmets, used in appropriate conditions will reduce the risk of sustaining personal injuries.
- Prevent unintentional starting. Ensure the power switch is in the off-position before connecting to power source and/or battery pack, picking up or carrying the power tool. Carrying power tools with your finger on the power switch or connecting power tools that have the switch in the on position to a power source can lead to accidents.
- Remove any adjusting keys or wrenches before turning on the power tool. An adjusting key or a wrench left attached to a rotating part of the power tool may result in personal injury.
- Do not overreach. Keep balance and proper footing at all times. This helps the operator have better control of the power tool in unexpected situations.
- Dress properly. Do not wear loose clothing or jewellery. Keep your hair, clothing and gloves away from any moving parts. Loose clothes, jewellery and/or long hair can be caught in moving parts.

Power tool use and care

- Do not force the power tool. Use the correct power tool for the each application. The correct power tool will always do the job better and safer when used as intended.
- Do not use the power tool if the switch does not turn activate or deactivate it. Any power tool that cannot be controlled with the switch is extremely dangerous and must be repaired.
- Disconnect the main plug from the power source and/or the battery pack from the power tool before changing accessories, making any adjustments, or storing the power tool. Such preventive safety measures will reduce the risk of starting the power tool accidentally.
- When the power tool is not in use, store it out of the reach of children and do not allow persons unfamiliar with the power tool or these instructions to use and operate the power tool. Power tools are extremely dangerous in the hands of untrained users.
- Maintain the power tool. Check for misalignment or binding of moving parts, breakage of parts, leakage and any other issue that may affect the power tool's operation. If damaged, have the power tool repaired before use. Many accidents and injuries are caused by poorly maintained power tools.
- Keep the cutting parts of the power tool sharp and clean. Properly maintained cutting tools with sharp cutting edges are less likely to bind and are more precise and easier to control.
- Always use the power tool, accessories and tool bits etc. in accordance with the instructions of this instruction manual, taking into account the working conditions and the work that is to be performed. Use of the power tool for applications different from those intended could result in personal injury or cause damage to the power tool.

- Keep the handles and any grasping surfaces of the power tool dry, clean and free of oil and grease. Slippery handles and grasping surfaces do not allow for safe handling of the tool in unexpected circumstances.

Battery tool use and care

- Recharge the batteries only with the charger specified by the manufacturer. A charger that is used to charge unsuitable batteries can create a risk of fire.
- Use the power tool only with the specifically designated battery packs. Use of any other battery packs may create a risk of injury and fire.
- When the battery pack is not in use, keep it away from other metal objects, like paper clips, coins, keys, nails, screws or other small metal objects that can make a connection from one terminal to another. Shorting the battery terminals together may cause burns or a fire.
- Under abusive conditions, liquid may be ejected from the battery; avoid contact. If contact accidentally occurs, flush with water. If liquid contacts eyes, seek medical help immediately. Liquid ejected from the battery may cause irritation or burns.
- Do not use a battery pack that is damaged or modified. Damaged or modified batteries may not function as intended, resulting in fire or explosion.
- Do not expose a battery pack to fire or excessive temperatures. Exposure to fire or temperatures above 130°C may cause an explosion.
- Follow all charging instructions and do not charge the battery pack outside the temperature range specified in the instructions. Charging improperly or at temperatures outside the specified range may damage the battery and increase the risk of fire.

Service

- Have the power tool serviced by qualified service personnel, using only identical replacement parts. This will ensure that the safety of the power tool is maintained.
- Never attempt to repair damaged battery packs on your own. Service of battery packs should only be performed by the manufacturer or authorized service technicians.

Safety instructions for cordless drills

- Use auxiliary handle(s), if supplied with the tool. Loss of control can cause personal injury.
- Hold the power tool by insulated gripping surfaces, when performing an operation where the cutting accessory/fastener may contact hidden wiring. Cutting accessories/fasteners contacting a "live" wire may make exposed metal parts of the power tool "live" and could give the operator an electric shock.
- Maintain firm footing at all times. Be sure no one is below when using the power tool in high locations.
- Keep hands away from rotating parts.
- Operate the tool only when holding it firmly.
- Do not touch the drill bit or the workpiece immediately after operation as they may be extremely hot and could burn your skin.
- Some materials contain chemicals which may be toxic. Take caution to prevent dust inhalation and skin contact. Follow material supplier safety data.
- If the drill bit cannot be removed even if the jaws are opened, use pliers to pull it out. Do not remove the drill bit by hand to prevent hand injury due to contact with the drill bit's sharp edge.
- Make sure there are no cables, water pipes, gas pipes, etc. Contact of the drill bit with hidden cables and pipes may lead to personal injury.

Safety precautions when using long drill bits

- The operating speed must not be higher than the rated speed of the drill bit.
- Always start drilling at low speed and contact the end of the drill bit with the workpiece.
- Apply pressure only at the position aligned with the drill bit and do not apply excessive pressure.

TECHNICAL DATA

Model	BBP5330
Voltage	20 V (Li-ion)
No load speed	0-300 / 0-1200 rpm
Maximum torque	130 Nm
Drill chuck	16 mm, M14 adaptor
Other features	<ul style="list-style-type: none"> • Brushless motor • Power display • LED light

* The manufacturer reserves the right to make minor changes to product design and technical specifications without prior notice unless these changes significantly affect the performance and safety of the products. The parts described / illustrated in the pages of the manual that you hold in your hands may also concern other models of the manufacturer's product line with similar features and may not be included in the product you just acquired.

* To ensure the safety and reliability of the product and the warranty validity, all repair, inspection or replacement work, including maintenance and special adjustments, must only be carried out by technicians of the authorized service department of the manufacturer.

* Always use the product with the supplied equipment. Operation of the product with non-provided equipment may cause malfunctions or even serious injury or death. The manufacturer and the importer shall not be liable for injuries and damages resulting from the use of non-conforming equipment.

OPERATING INSTRUCTIONS

Charging the battery

- Charge the battery fully before use.
1. Place the charger in a stable position and plug it into a power socket.
 2. Insert the battery. The indicator light on the charger will flash red to indicate that charging is underway.
 3. When the green light on the charger lights up, the battery has finished charging.

Attention:

- It is normal that the charger and battery are slightly heated when charging.
- If the battery is not used for a long time, it must be recharged once every six months to prolong its service life.
- Do not use a damaged battery and do not disassemble the charger and battery.
- Do not throw the battery into fire, as it will explode.

- Do not charge the battery outdoors and in humid areas.
- Before charging the battery, disconnect it from the tool.
- Don't store the battery in humid areas.

Installing or removing the battery (Fig. 1)

Attention: Before adjusting or checking the function of the tool, be sure to turn off the tool and take out the battery.

- In order to remove the battery, press the button (1) on the front of the battery and pull it out of the tool at the same time.
- To install the battery, align it with the groove on the tool and then slide it until it locks into place.

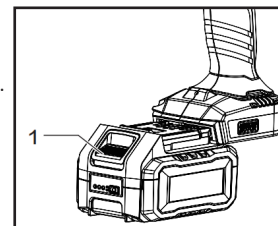


Fig. 1

ON/OFF trigger

- In order to operate the tool, pull the ON/OFF trigger.
 - Rotational speed of the drill bit increases or decreases depending on the pressure exerted on the trigger.
- Release the trigger to stop the tool.

Speed selector

- Before adjusting tool speed, first turn off the tool.
- Slide the speed selector to the "2" side for high speed or to the "1" side for low speed.
- Be sure that the speed selector is set to the correct position before operation.

Rotation direction switch

Caution:

- Always check the direction of rotation before operation.
- Use the rotation direction switch only after the tool comes to a complete stop. Changing the direction of rotation before the tool stops may damage the tool.

Installing a drill bit (Fig. 2)

1. Put the drill bit into the chuck (1) and push it in as far as possible.
2. Tighten the chuck by hand.
3. Put the chuck key (2) into the three holes and tighten it clockwise. Be sure to tighten the three chuck holes evenly.

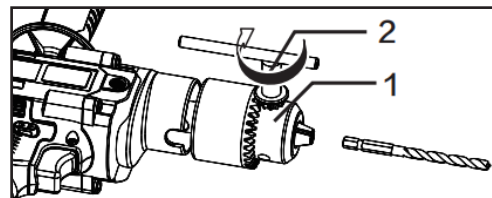


Fig. 2

Removing a drill bit (Fig. 2)

1. Insert the chuck key (2) into a hole.
2. Turn it clockwise and then loosen the chuck (1) by hand.

Installing the auxiliary handle (Fig. 3)

- Be sure to use the auxiliary handle (1) to ensure safe operation.
- The power tool is equipped with 3 auxiliary handle installation positions (A, B, C).
- Install the auxiliary handle and turn it clockwise.
- Accessories can be selected according to work needs.

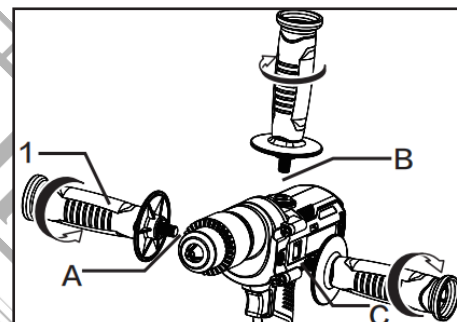


Fig. 3

Using other accessories (Fig. 4)

- After clamping the connector (1), the chuck can use a stirrer (2), ice drill (3), ground drill and other accessories to carry out corresponding work.

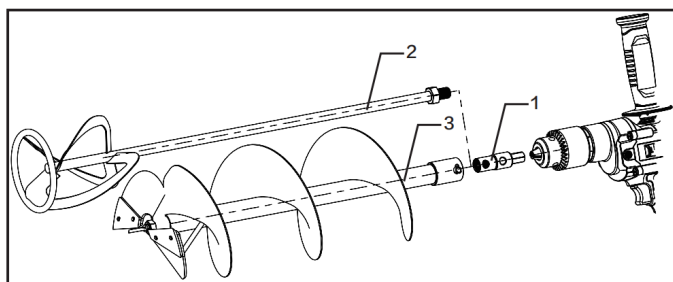


Fig. 4

Extended auxiliary handle (Fig. 5-6, item 1)

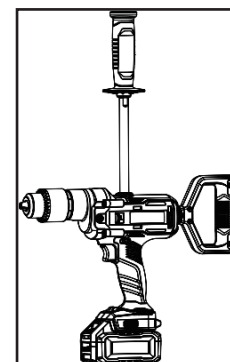


Fig. 5

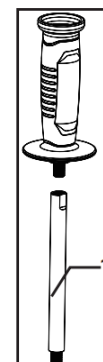


Fig. 6

MAINTENANCE

Attention: Be sure to unplug the power tool before performing any maintenance or adjustment work as well as before changing accessories.

- The power tool does not require any lubrication.
- Don't use water or chemical cleaning agents to clean the power tool. Just wipe it with a dry cloth.
- Store the unit in a dry place.
- Keep the motor vents clean.
- Avoid using the power tool in dusty areas.

Tips for maintaining maximum battery life

- Charge the battery before completely discharged. Always stop tool operation and charge the battery when you notice less tool power.
- Never recharge a fully charged battery. Overcharging shortens the battery service life.
- Charge the battery at room temperature of 10 °C - 40 °C. Let a hot battery cool down before charging it.
- Charge the battery if it has not been used for a long period (more than six months).

ENVIRONMENTAL DISPOSAL

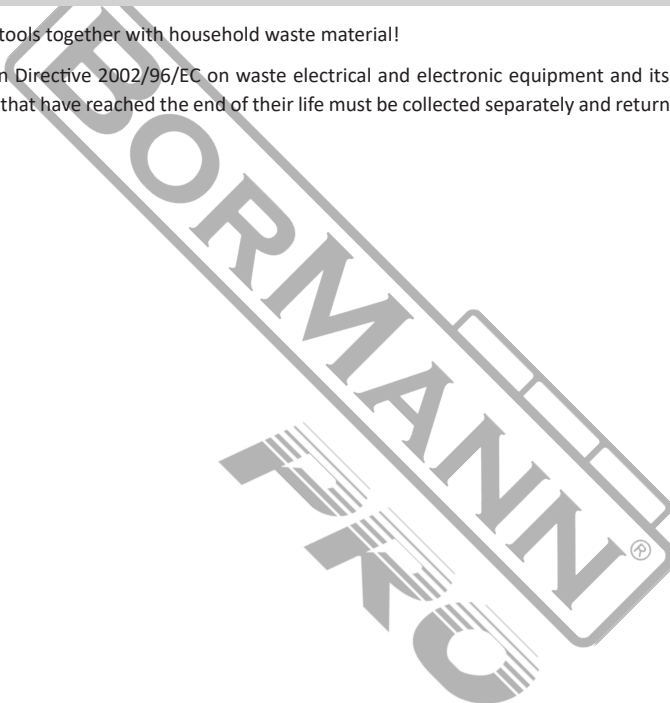
In order to avoid damages on transportation, the tool has to be delivered in solid packaging. Packaging as well as the unit and accessories are made of recyclable materials and can be disposed accordingly. The tool's plastics components are marked according to their material, which makes it possible to remove environmental friendly and differentiated because of available collection facilities.



Only for EU countries

Do not dispose of electric tools together with household waste material!

In observance of European Directive 2002/96/EC on waste electrical and electronic equipment and its implementation in accordance with national law, electric tools that have reached the end of their life must be collected separately and returned to an environmentally compatible recycling facility.



SIMBOLI



Indossare una protezione per gli occhi.



Indossare una protezione per l'udito.



Indossare una maschera di sicurezza.



Non esporre l'unità alla pioggia o all'umidità.



Tenere l'unità lontano da fiamme e calore intenso.

ISTRUZIONI DI SICUREZZA



Attenzione: Leggere attentamente il manuale prima dell'uso. La mancata osservanza delle avvertenze e delle istruzioni può causare danni all'unità e/o lesioni fisiche. Conservare il manuale in un luogo sicuro per future consultazioni.

Avvertenze generali sulla sicurezza degli utensili elettrici

Sicurezza dell'area di lavoro

- Mantenere l'area di lavoro pulita e ben illuminata. Aree buie o disordinate possono causare incidenti.
- Non utilizzare gli utensili elettrici in atmosfere esplosive, ad esempio in presenza di liquidi o fumi infiammabili, gas o polveri. Gli utensili elettrici potrebbero creare scintille che potrebbero incendiare i gas o i fumi.
- Tenere i bambini e gli astanti a distanza di sicurezza durante l'uso dell'elettrostrumento.

Sicurezza elettrica

- Assicurarsi che le spine degli utensili elettrici corrispondano alla presa di corrente. Non modificare mai la spina in alcun modo. Non utilizzare spine adattatrici con utensili elettrici dotati di messa a terra. L'uso di spine non modificate e di prese corrispondenti riduce il rischio di scosse elettriche.
- Evitare il contatto del corpo con materiali o oggetti collegati a terra, come radiatori, tubi, cucine e frigoriferi. Il rischio di scosse elettriche è molto elevato se il corpo è collegato a terra.
- Non esporre gli utensili elettrici alla pioggia o ad altre condizioni di umidità. L'ingresso di acqua in un elettrostrumento può aumentare il rischio di scosse elettriche.
- Non abusare del cavo di alimentazione. Non utilizzare mai il cavo per trasportare, tirare o scollegare l'utensile elettrico. Tenere il cavo a distanza di sicurezza da calore, olio, bordi taglienti e parti in movimento. I cavi danneggiati o aggrovigliati aumentano il rischio di scosse elettriche.
- Quando si utilizza un elettrostrumento all'aperto, utilizzare un cavo di prolunga con le specifiche adeguate per l'uso all'aperto. L'uso di un cavo di prolunga adatto all'uso esterno riduce il rischio di scosse elettriche.
- Se l'utilizzo di un utensile elettrico in un luogo umido è inevitabile, utilizzare un'alimentazione protetta da interruttore differenziale (salvavita). L'uso di un interruttore differenziale riduce il rischio di scosse elettriche.

Sicurezza personale

- Rimanere vigili, fare attenzione a ciò che si fa e usare il buon senso quando si utilizza l'elettrostrumento. Non utilizzare l'elettrostrumento in caso di stanchezza o sotto l'effetto di alcol, droghe o farmaci. Un momento di disattenzione durante l'uso dell'elettrostrumento può causare gravi lesioni personali.
- Utilizzare dispositivi di protezione personale. Indossare sempre una protezione per gli occhi. Dispositivi di protezione come maschere antipolvere, protezioni per l'udito, scarpe di sicurezza antiscivolo o caschi di protezione, utilizzati in condizioni adeguate, ridurranno il rischio di lesioni personali.
- Prevenire l'avviamento involontario. Assicurarsi che l'interruttore di alimentazione sia in posizione off prima di collegare l'utensile alla fonte di alimentazione e/o alla batteria, di sollevarlo o di trasportarlo. Il trasporto di utensili elettrici con il dito sull'interruttore di alimentazione o il collegamento di utensili elettrici con l'interruttore in posizione di accensione a una fonte di alimentazione possono causare incidenti.
- Togliere le chiavi di regolazione o le chiavi inglesi prima di accendere l'elettrostrumento. Una chiave di regolazione o una chiave lasciata attaccata a una parte rotante dell'elettrostrumento può provocare lesioni personali.
- Non sporgersi eccessivamente. Mantenere sempre l'equilibrio e l'appoggio corretto. Questo aiuta l'operatore a controllare meglio l'elettrostrumento in situazioni impreviste.
- Vestirsi in modo adeguato. Non indossare abiti larghi o gioielli. Tenere i capelli, gli indumenti e i guanti lontani dalle parti in movimento. Vestiti larghi, gioielli e/o capelli lunghi possono impigliarsi nelle parti in movimento.

Uso e cura degli elettrostrumenti

- Non forzare l'elettrostrumento. Utilizzare l'elettrostrumento corretto per ogni applicazione. L'elettrostrumento corretto svolgerà sempre il lavoro in modo migliore e più sicuro se usato come previsto.
- Non utilizzare l'elettrostrumento se l'interruttore non lo attiva o lo disattiva. Qualsiasi utensile elettrico che non può essere controllato con l'interruttore è estremamente pericoloso e deve essere riparato.
- Scollegare la spina principale dalla fonte di alimentazione e/o il pacco batteria dall'elettrostrumento prima di cambiare gli accessori, effettuare regolazioni o riporre l'elettrostrumento. Queste misure di sicurezza preventive riducono il rischio di avviamento accidentale dell'elettrostrumento.
- Quando l'elettrostrumento non è in uso, riporlo fuori dalla portata dei bambini e non permettere a persone che non conoscono l'elettrostrumento o le presenti istruzioni di utilizzarlo e farlo funzionare. Gli utensili elettrici sono estremamente pericolosi nelle mani di utenti non addestrati.
- Manutenzione dell'elettrostrumento. Verificare che non vi siano disallineamenti o impedimenti delle parti mobili, rotture di parti, perdite e qualsiasi altro problema che possa influire sul funzionamento dell'elettrostrumento. Se danneggiato, far riparare l'elettrostrumento prima dell'uso. Molti incidenti e infortuni sono causati da una cattiva manutenzione degli utensili elettrici.
- Mantenere le parti taglienti dell'elettrostrumento affilate e pulite. Gli utensili da taglio sottoposti a una corretta manutenzione e dotati di bordi di taglio affilati hanno minori probabilità di piegarsi e sono più precisi e facili da controllare.
- Utilizzare sempre l'elettrostrumento, gli accessori e le punte per utensili ecc. in conformità alle istruzioni del presente manuale, tenendo conto delle condizioni di lavoro e dell'attività da svolgere. L'uso dell'elettrostrumento per applicazioni diverse da quelle previste potrebbe causare lesioni personali o danni all'elettrostrumento.

- Mantenere le impugnature e le superfici di presa dell'elettrotensile asciutte, pulite e prive di olio e grasso. Impugnature e superfici di presa scivolose non consentono di maneggiare l'utensile in modo sicuro in circostanze impreviste.

Uso e cura della batteria

- Ricaricare le batterie solo con il caricabatterie specificato dal produttore. Un caricabatterie utilizzato per caricare batterie non adatte può creare un rischio di incendio.
- Utilizzare l'elettrotensile solo con le batterie specificatamente indicate. L'uso di altri pacchi batteria può comportare il rischio di lesioni e incendi.
- Quando il pacco batteria non è in uso, tenerlo lontano da altri oggetti metallici, come graffette, monete, chiavi, chiodi, viti o altri piccoli oggetti metallici che possono creare un collegamento da un terminale all'altro. Il cortocircuito dei terminali della batteria può causare ustioni o incendi.
- In caso di condizioni difficili, dalla batteria può fuoriuscire del liquido; evitare il contatto. In caso di contatto accidentale, sciacquare con acqua. Se il liquido entra in contatto con gli occhi, rivolgersi immediatamente a un medico. Il liquido espulso dalla batteria può causare irritazioni o ustioni.
- Non utilizzare batterie danneggiate o modificate. Le batterie danneggiate o modificate potrebbero non funzionare come previsto e causare incendi o esplosioni.
- Non esporre il pacco batteria al fuoco o a temperature eccessive. L'esposizione al fuoco o a temperature superiori a 130°C può causare un'esplosione.
- Seguire tutte le istruzioni di carica e non caricare il pacco batteria al di fuori dell'intervallo di temperatura specificato nelle istruzioni. Una carica non corretta o a temperature non comprese nell'intervallo specificato può danneggiare la batteria e aumentare il rischio di incendio.

Servizio

- Far revisionare l'elettrotensile da personale qualificato, utilizzando solo parti di ricambio identiche. In questo modo si garantisce la sicurezza dell'elettrotensile.
- Non tentare mai di riparare da soli i pacchi batteria danneggiati. La manutenzione dei pacchi batteria deve essere eseguita solo dal produttore o da tecnici autorizzati.

Istruzioni di sicurezza per i trapani a batteria

- Utilizzare le impugnature ausiliarie, se fornite con l'utensile. La perdita di controllo può causare lesioni personali.
- Quando si esegue un'operazione in cui l'accessorio di taglio o il dispositivo di fissaggio possono entrare in contatto con cavi nascosti, tenere l'elettrotensile con le superfici di presa isolate. Gli accessori di taglio/fissaggio che entrano in contatto con un filo "sotto tensione" possono rendere "sotto tensione" le parti metalliche esposte dell'elettrotensile e provocare una scossa elettrica all'operatore.
- Mantenere sempre una posizione stabile. Assicurarsi che nessuno si trovi al di sotto quando si utilizza l'elettrotensile in luoghi elevati.
- Tenere le mani lontane dalle parti rotanti.
- Azionare l'utensile solo tenendolo saldamente in mano.
- Non toccare la punta o il pezzo in lavorazione subito dopo l'operazione, poiché potrebbero essere estremamente caldi e potrebbero bruciare la pelle.
- Alcuni materiali contengono sostanze chimiche che possono essere tossiche. Prestare attenzione per evitare l'inalazione della polvere e il contatto con la pelle. Seguire i dati di sicurezza del fornitore del materiale.
- Se non è possibile rimuovere la punta del trapano anche aprendo le ganasce, utilizzare le pinze per estrarla. Non rimuovere la punta del trapano a mano per evitare lesioni alla mano dovute al contatto con il bordo tagliente della punta.
- Assicurarsi che non vi siano cavi, tubi dell'acqua, tubi del gas, ecc. Il contatto della punta del trapano con cavi e tubi nascosti può causare lesioni personali.

Precauzioni di sicurezza per l'utilizzo di punte lunghe

- La velocità operativa non deve essere superiore alla velocità nominale della punta.
- Iniziare sempre la foratura a bassa velocità e mettere a contatto l'estremità della punta con il pezzo.
- Applicare la pressione solo nella posizione allineata con la punta del trapano e non esercitare una pressione eccessiva.

DATI TECNICI

Modello	BBP5330
Tensione	20 V (ioni di litio)
Velocità a vuoto	0-300 / 0-1200 giri/min.
Coppia massima	130 Nm
Mandrino per trapano	16 mm, adattatore M14
Altre caratteristiche	<ul style="list-style-type: none"> • Motore senza spazzole • Display di potenza • Luce LED

* Il produttore si riserva il diritto di apportare modifiche minori al design e alle specifiche tecniche del prodotto senza preavviso, a meno che tali modifiche non influiscano in modo significativo sulle prestazioni e sulla sicurezza dei prodotti. Le parti descritte/illustrate nelle pagine del manuale che avete tra le mani possono riguardare anche altri modelli della linea di prodotti del produttore con caratteristiche simili e potrebbero non essere incluse nel prodotto appena acquistato.

* Per garantire la sicurezza e l'affidabilità del prodotto e la validità della garanzia, tutti gli interventi di riparazione, ispezione o sostituzione, compresa la manutenzione e le regolazioni speciali, devono essere eseguiti esclusivamente da tecnici del servizio di assistenza autorizzato dal produttore.

* Utilizzare sempre il prodotto con le apparecchiature in dotazione. L'utilizzo del prodotto con apparecchiature non in dotazione può causare malfunzionamenti o addirittura lesioni gravi o morte. Il produttore e l'importatore non sono responsabili per lesioni e danni derivanti dall'uso di apparecchiature non conformi.

ISTRUZIONI PER L'USO

Carica della batteria

- Caricare completamente la batteria prima dell'uso.
1. Posizionare il caricabatterie in una posizione stabile e collegarlo a una presa di corrente.
 2. Inserire la batteria. La spia del caricabatterie lampeggia in rosso per indicare che la carica è in corso.
 3. Quando la spia verde del caricatore si accende, la batteria ha terminato la carica.

Attenzione:

- È normale che il caricatore e la batteria si riscaldino leggermente durante la carica.
- Se la batteria non viene utilizzata per lungo tempo, deve essere ricaricata ogni sei mesi per prolungarne la durata.
- Non utilizzare una batteria danneggiata e non smontare il caricabatterie e la batteria.
- Non gettare la batteria nel fuoco, perché potrebbe esplodere.

- Non caricare la batteria all'aperto e in ambienti umidi.
- Prima di caricare la batteria, scollegarla dall'utensile.
- Non conservare la batteria in ambienti umidi.

Installazione o rimozione della batteria (Fig. 1)

Attenzione: Prima di regolare o controllare il funzionamento dell'utensile, spegnerlo e togliere la batteria.

- Per rimuovere la batteria, premere il pulsante (1) sulla parte anteriore della batteria e contemporaneamente estrarla dall'utensile.
- Per installare la batteria, allinearla con la scanalatura sullo strumento e farla scorrere finché non si blocca in posizione.

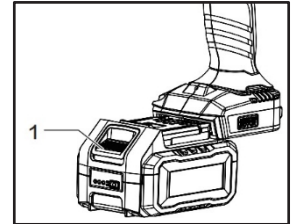


Fig. 1

Grilletto ON/OFF

- Per azionare l'utensile, premere il grilletto ON/OFF.
 - La velocità di rotazione della punta aumenta o diminuisce a seconda della pressione esercitata sul grilletto.
- Rilasciare il grilletto per arrestare l'utensile.

Selettore di velocità

- Prima di regolare la velocità dell'utensile, spegnerlo.
- Far scorrere il selettore di velocità sul lato "2" per l'alta velocità o sul lato "1" per la bassa velocità.
- Assicurarsi che il selettore di velocità sia impostato sulla posizione corretta prima del funzionamento.

Interruttore del senso di rotazione

Attenzione:

- Controllare sempre il senso di rotazione prima dell'uso.
- Utilizzare il selettore del senso di rotazione solo dopo l'arresto completo dell'utensile. Il cambio del senso di rotazione prima dell'arresto dell'utensile può danneggiare l'utensile stesso.

Installazione di una punta (Fig. 2)

1. Inserire la punta nel mandrino (1) e spingerla il più possibile.
2. Serrare il Mandrino a mano.
3. Inserire la chiave del mandrino (2) nei tre fori e serrarla in senso orario. Assicurarsi di serrare uniformemente i tre fori del mandrino.

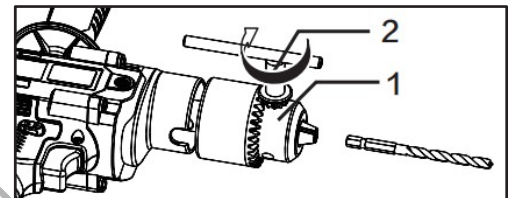


Fig. 2

Rimozione di una punta (Fig. 2)

1. Inserire la chiave del Mandrino (2) in un foro.
2. Ruotare in senso orario e allentare il mandrino (1) a mano.

Installazione della maniglia ausiliaria (Fig. 3)

- Assicurarsi di utilizzare la maniglia ausiliaria (1) per garantire un funzionamento sicuro.
- L'elettrooutensile è dotato di 3 posizioni di installazione dell'impugnatura ausiliaria (A, B, C).
- Installare la maniglia ausiliaria e ruotarla in senso orario.
- Gli accessori possono essere selezionati in base alle esigenze di lavoro.

Utilizzo di altri accessori (Fig. 4)

- Dopo aver bloccato il connettore (1), il Mandrino può utilizzare un agitatore (2), un trapano per ghiaccio (3), un trapano a colonna e altri accessori per eseguire i lavori corrispondenti.

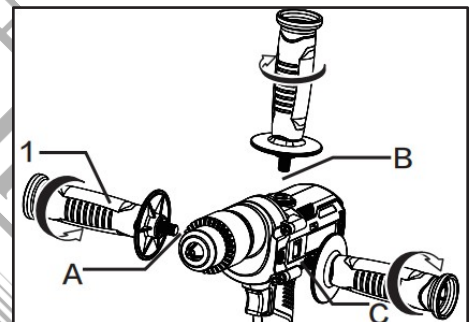


Fig. 3

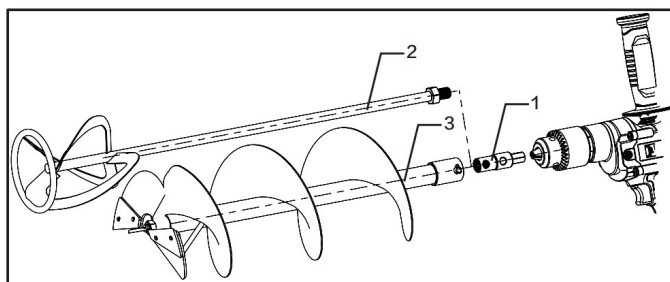


Fig. 4

Maniglia ausiliaria estesa (Fig. 5-6, elemento 1)

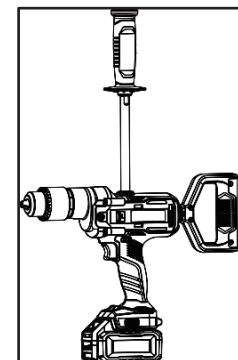


Fig. 5

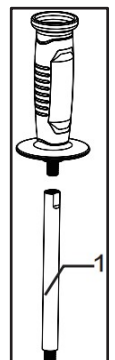


Fig. 6

MANUTENZIONE

Attenzione: Assicurarsi di scollegare l'elettrotensile prima di eseguire qualsiasi intervento di manutenzione o regolazione e prima di sostituire gli accessori.

- L'elettrotensile non richiede alcuna lubrificazione.
- Non utilizzare acqua o detersivi chimici per pulire l'elettrotensile. Pulitelo semplicemente con un panno asciutto.
- Conservare l'unità in un luogo asciutto.
- Mantenere pulite le bocchette del motore.
- Evitare di utilizzare l'elettrotensile in aree polverose.

Suggerimenti per mantenere la massima durata della batteria

- Caricare la batteria prima che si scarichi completamente. Interrompere sempre il funzionamento dell'utensile e caricare la batteria quando si nota una minore potenza dell'utensile.
- Non ricaricare mai una batteria completamente carica. Il sovraccarico riduce la durata della batteria.
- Caricare la batteria a temperatura ambiente di 10 °C - 40 °C. Lasciare raffreddare la batteria calda prima di caricarla.
- Caricare la batteria se non è stata utilizzata per un lungo periodo (più di sei mesi).

SMALTIMENTO AMBIENTALE

Per evitare danni durante il trasporto, l'utensile deve essere consegnato in un imballaggio solido. L'imballaggio, l'unità e gli accessori sono realizzati con materiali riciclabili e possono essere smaltiti di conseguenza. I componenti in plastica dell'utensile sono contrassegnati in base al materiale di cui sono composti, il che rende possibile l'eliminazione dei rifiuti ecologici e differenziati grazie alle strutture di raccolta disponibili.



Solo per i paesi dell'UE

Non smaltire gli utensili elettrici insieme ai rifiuti domestici!

In conformità alla direttiva europea 2002/96/CE sui rifiuti di apparecchiature elettriche ed elettroniche e alla sua attuazione in conformità alla legislazione nazionale, gli utensili elettrici giunti a fine vita devono essere raccolti separatamente e conferiti a un impianto di riciclaggio compatibile con l'ambiente.

ΣΥΜΒΟΛΑ



Φοράτε γυαλιά ασφαλείας.



Φοράτε προστατευτικά ακοής.



Φοράτε μάσκα προστασίας.



Μην εκθέτετε την μονάδα στη βροχή ή σε υγρασία.



Κρατήστε την μονάδα μακριά από φωτιά.

ΟΔΗΓΙΕΣ ΑΣΦΑΛΕΙΑΣ



Προσοχή: Διαβάστε προσεκτικά το εγχειρίδιο πριν από τη χρήση. Η μη τήρηση των προειδοποιήσεων και των οδηγιών μπορεί να οδηγήσει σε βλάβη της μονάδας και τραυματισμό. Φυλάξτε το εγχειρίδιο σε ασφαλές μέρος για μελλοντική αναφορά.

Γενικές οδηγίες ασφαλείας για ηλεκτρικά εργαλεία

Ασφάλεια στον χώρο εργασίας

- Διατηρείτε τον χώρο εργασίας καθαρό και επαρκώς φωτισμένο. Η ακαταστασία και η ανεπαρκώς φωτισμένες περιοχές εργασίας μπορεί να οδηγήσουν σε ατυχήματα και τραυματισμό.
- Μην εργάζεστε με το ηλεκτρικό εργαλείο σε χώρους όπου υπάρχει κίνδυνος έκρηξης, στο οποίο υπάρχουν εύφλεκτα υγρά, αέρια ή σκόνη.
- Τα ηλεκτρικά εργαλεία ενδέχεται να δημιουργήσουν σπινθήρες οι οποίοι μπορούν να αναφλέξουν τη σκόνη ή τα αέρια.
- Όταν χρησιμοποιείτε το ηλεκτρικό εργαλείο κρατάτε τα παιδιά και άλλους παρευρισκόμενους σε ασφαλή απόσταση. Η απόσπαση της προσοχής μπορεί να οδηγήσει στην απώλεια ελέγχου του εργαλείου/μηχανήματος.

Ηλεκτρική ασφάλεια

- Το βύσμα του καλωδίου του ηλεκτρικού εργαλείου πρέπει να είναι συμβατό με την πρίζα. Δεν επιτρέπεται η οποιαδήποτε μετατροπή του βύσματος.
- Μη χρησιμοποιείτε μετατροπείς σε συνδυασμό με γειωμένα ηλεκτρικά εργαλεία. Η χρήση βυσμάτων με συμβατές πρίζες μειώνουν τον κίνδυνο ηλεκτροπληξίας.
- Αποφεύγετε την επαφή με γειωμένες επιφάνειες όπως με σωλήνες, θερμαντικά σώματα (καλοριφέρ), κουζίνες ή ψυγεία. Όταν το σώμα σας γειώνεται αυξάνεται ο κίνδυνος ηλεκτροπληξίας.
- Μην εκθέτετε τα μηχανήματα και τα εργαλεία στη βροχή ή σε υψηλή υγρασία. Η διείσδυση νερού στο ηλεκτρικό εργαλείο αυξάνει τον κίνδυνο ηλεκτροπληξίας.
- Μη χρησιμοποιείτε το καλώδιο για να μεταφέρετε ή να μετακινήσετε το ηλεκτρικό εργαλείο, ή για να βγάλετε το βύσμα από την πρίζα. Κρατάτε το καλώδιο μακριά από πηγές υψηλής θερμοκρασίας, κοφτερά αντικείμενα και από κινούμενα εξαρτήματα. Τα καλώδια που έχουν υποστεί οποιαδήποτε ζημιά αυξάνουν τον κίνδυνο ηλεκτροπληξίας.
- Όταν εργάζεστε μ' ένα ηλεκτρικό εργαλείο σε εξωτερικό χώρο, χρησιμοποιείτε καλώδια προέκτασης (μπαλαντζές) που είναι κατάλληλα για χρήση σε εξωτερικούς χώρους. Η χρήση καλωδίων προέκτασης κατάλληλων για εξωτερικούς χώρους μειώνει τον κίνδυνο ηλεκτροπληξίας.
- Όταν η χρήση του ηλεκτρικού εργαλείου σε χώρους με υψηλή υγρασία ή με υγρά είναι αναπόφευκτη, τότε χρησιμοποιήστε μια διάταξη προστασίας έναντι ρεύματος διαρροής (ρελέ διαρροής - RCD). Η χρήση ενός ρελέ διαρροής μειώνει τον κίνδυνο ηλεκτροπληξίας.

Προσωπική ασφάλεια

- Να είστε πάντοτε προσεκτικοί, να δίνετε προσοχή στην εργασία που εκτελείτε και να χειρίζεστε το μηχάνημα με σύνεση. Μη χρησιμοποιείτε το ηλεκτρικό εργαλείο αν νιώθετε κόπωση ή αν βρίσκεστε υπό την επήρεια αλκοόλ ή άλλων ουσιών. Μια στιγμή απροσεξίας κατά τον χειρισμό του ηλεκτρικού εργαλείου μπορεί να οδηγήσει σε σοβαρό τραυματισμό.
- Φοράτε κατάλληλο εξοπλισμό ατομικής προστασίας. Επιλέξτε τον κατάλληλο εξοπλισμό προστασίας, για παράδειγμα μια μάσκα σκόνης, αντιολισθητικές μπότες ασφαλείας, κράνος προστασίας, προστατευτικά ακοής, ανάλογα με το εκάστοτε εργαλείο και τη χρήση του, έτσι ώστε να μειωθεί ο κίνδυνος τραυματισμού.
- Λάβετε μέτρα για να αποφύγετε την ακούσια εκκίνηση. Βεβαιωθείτε ότι το κουμπί ενεργοποίησης του εργαλείου βρίσκεται στη θέση OFF πριν συνδέσετε το βύσμα του καλωδίου στην πρίζα, πριν τοποθετήσετε τις μπαταρίες στο εργαλείο, και πριν το μεταφέρετε και το κουβαλήσετε. Μην μεταφέρετε το ηλεκτρικό εργαλείο με το δάκτυλό σας να ακουμπάει τον διακόπτη ON/OFF και μην συνδέετε το εργαλείο με την πηγή ρεύματος αν ο διακόπτης βρίσκεται στη θέση ON.
- Αφαιρείτε από τα ηλεκτρικά εργαλεία τυχόν εργαλεία ρύθμισης πριν θέσετε το ηλεκτρικό εργαλείο σε λειτουργία. Ένα εργαλείο ρύθμισης που βρίσκεται συνδεδεμένο σ' ένα κινούμενο τμήμα μπορεί να οδηγήσει σε τραυματισμό.
- Μην τεντώνετε, γέρνετε ή σκύβετε υπερβολικά κατά τη χρήση του εργαλείου. Διατηρήστε την ισορροπία σας και φροντίστε να στέκεστε με σωστή στάση σώματος έτσι ώστε να είστε σε θέση να αντιμετωπίσετε απροσδόκητες περιστάσεις.
- Ντυθείτε με τα κατάλληλα ενδύματα. Μη φοράτε ρούχα με χαλαρή εφαρμογή ή κοσμήματα. Κρατήστε τα μαλλιά, τα ρούχα και τα χέρια σας σε ασφαλή απόσταση από τα κινούμενα εξαρτήματα.

Ορθότητα χειρισμού και συντήρηση ηλεκτρικών εργαλείων

- Μην ασκείτε υπερβολική πίεση στο εργαλείο. Χρησιμοποιήστε το κατάλληλο εργαλείο για τον σκοπό για τον οποίο προορίζεται. Η χρήση του σωστού εργαλείου για τον σκοπό για τον οποίο προορίζεται θα καταστήσει την εργασία ασφαλέστερη.
- Μη χρησιμοποιήσετε ποτέ ένα εργαλείο αν το κουμπί ενεργοποίησής του δεν λειτουργεί. Ένα ηλεκτρικό εργαλείο το οποίο δεν μπορεί πλέον να ενεργοποιηθεί ή/και να απενεργοποιηθεί με το εν λόγω κουμπί είναι επικίνδυνο και πρέπει να επισκευαστεί.
- Αποσυνδέστε το βύσμα του καλωδίου από την πρίζα και/ή αφαιρέστε την μπαταρία πριν προβείτε σε εργασίες συντήρησης ή αντικατάστασης εξαρτήματος του εργαλείου ή όταν πρόκειται να φυλάξετε το εργαλείο. Αυτά τα μέτρα πρόληψης μειώνουν τον κίνδυνο της ακούσιας εκκίνησης του ηλεκτρικού εργαλείου.
- Όταν δεν χρησιμοποιείται, φυλάξτε το ηλεκτρικό εργαλείο σε σημείο μη προσβάσιμο από παιδιά.

- Δεν πρέπει να επιτρέπεται η χρήση του ηλεκτρικού εργαλείου σε άτομα που δεν έχουν εξοικωωθεί με την χρήση του ή που δεν έχουν διαβάσει τις οδηγίες χρήσης του. Το ηλεκτρικό εργαλείο είναι επικίνδυνο όταν χρησιμοποιείται από άπειρα άτομα ή από άτομα που δεν έχουν διαβάσει τις οδηγίες χρήσης του.
- Συντηρήστε το ηλεκτρικό εργαλείο. Ελέγχετε, αν τα κινούμενα εξαρτήματα λειτουργούν σωστά, αν υπάρχει κάποιο μπλοκάρισμα, ή αν έχουν σπάσει σε κάποιο σημείο ή φθαρεί εξαρτήματα τα οποία ενδέχεται να επηρεάσουν αρνητικά την λειτουργία του ηλεκτρικού εργαλείου. Η λανθασμένη συντήρηση των ηλεκτρικών εργαλείων προκαλεί ατυχήματα.
- Διατηρείτε τα εργαλεία κοπής αιχμηρά και σε καλή κατάσταση. Τα επαρκώς συντηρημένα κοπτικά εργαλεία είναι πιο δύσκολο να μπλοκαριστούν και έχουν υψηλότερη απόδοση.
- Χρησιμοποιείτε όλα τα τμήματα του εξοπλισμού και το ίδιο το εργαλείο σύμφωνα με τις οδηγίες του εγχειριδίου. Λαμβάνετε επίσης υπόψη σας τους εξωτερικούς παράγοντες και τις συνθήκες της εκάστοτε εργασίας.
- Η χρήση του ηλεκτρικού εργαλείου για εργασίες άλλες από τις προβλεπόμενες μπορεί να οδηγήσει σε ατύχημα.
- Διατηρείτε τις λαβές και τις επιφάνειες πρόσφυσης του ηλεκτρικού εργαλείου στεγνές, καθαρές και απαλλαγμένες από λάδια και γράσα. Οι ολισθηρές λαβές και επιφάνειες πρόσφυσης καταστούν αδύνατο τον ασφαλή χειρισμό του εργαλείου σε απρόβλεπτες περιστάσεις.

Οδηγίες ασφαλείας για εργαλεία με μπαταρίες

- Επαναφορτίζετε τις μπαταρίες μόνο με τον φορτιστή που ορίζει ο κατασκευαστής. Ένας φορτιστής που χρησιμοποιείται για τη φόρτιση ακατάλληλων μπαταριών μπορεί να δημιουργήσει κίνδυνο πυρκαγιάς.
- Χρησιμοποιείτε το ηλεκτρικό εργαλείο μόνο με τις προβλεπόμενες μπαταρίες. Η χρήση άλλων μπαταριών μπορεί να δημιουργήσει κίνδυνο τραυματισμού και πυρκαγιάς.
- Όταν η μπαταρία δεν χρησιμοποιείται, κρατήστε τη μακριά από μεταλλικά αντικείμενα όπως συνδετήρες, κέρματα, κλειδιά, καρφιά, βίδες ή άλλα μικρά μεταλλικά αντικείμενα που μπορούν να κάνουν σύνδεση από τον έναν ακροδέκτη στον άλλον. Το βραχυκύκλωμα των ακροδεκτών της μπαταρίας μπορεί να προκαλέσει εγκαύματα ή πυρκαγιά.
- Υπό συνθήκες κακομεταχείρισης, μπορεί να εκτοξευτεί υγρό από την μπαταρία. Αποφύγετε την επαφή με το υγρό της μπαταρίας. Σε περίπτωση επαφής με το υγρό, ξεπλύνετε με νερό. Εάν το υγρό έρθει σε επαφή με τα μάτια, αναζητήστε αμέσως ιατρική βοήθεια. Το υγρό που εκτοξεύεται από την μπαταρία μπορεί να προκαλέσει ερεθισμό ή εγκαύματα.
- Μην χρησιμοποιείτε μπαταρία που έχει υποστεί ζημιά ή έχει τροποποιηθεί. Οι κατεστραμμένες ή τροποποιημένες μπαταρίες ενδέχεται να μην λειτουργούν όπως προβλέπεται, με αποτέλεσμα να προκληθεί πυρκαγιά ή έκρηξη.
- Μην εκθέτετε την μπαταρία σε φωτιά ή σε πολύ υψηλές θερμοκρασίες. Η έκθεση σε φωτιά ή σε θερμοκρασίες άνω των 130°C μπορεί να προκαλέσει έκρηξη.
- Ακολουθήστε όλες τις οδηγίες φόρτισης και μην φορτίζετε την μπαταρία εκτός του εύρους θερμοκρασιών που καθορίζεται στις οδηγίες. Η ακατάλληλη φόρτιση ή η φόρτιση σε θερμοκρασίες εκτός του καθορισμένου εύρους μπορεί να προκαλέσει ζημιά στη μπαταρία και να αυξήσει τον κίνδυνο πυρκαγιάς.

Service

- Αναθέστε τη συντήρηση και την επισκευή του ηλεκτρικού εργαλείου σε εξειδικευμένο προσωπικό σέρβις, χρησιμοποιώντας μόνο πανομοιότυπα ανταλλακτικά. Με τον τρόπο αυτό θα διασφαλιστεί η διατήρηση της ασφάλειας του ηλεκτρικού εργαλείου.
- Ποτέ μην επιχειρήσετε να επισκευάσετε μόνοι σας τις μπαταρίες που έχουν υποστεί βλάβη. Το σέρβις των μπαταριών πρέπει να εκτελείται μόνο από τον κατασκευαστή ή από εξουσιοδοτημένους τεχνικούς σέρβις.

Οδηγίες ασφαλείας για δραπενοκατσάβιδα μπαταρίας

- Χρησιμοποιήστε βοηθητικές λαβές, εάν παρέχονται με το εργαλείο. Η απώλεια ελέγχου μπορεί να οδηγήσει σε τραυματισμό.
- Κρατάτε το ηλεκτρικό εργαλείο από μονωμένες επιφάνειες πρόσφυσης, όταν εκτελείτε μια εργασία όπου το κοπτικό εξάρτημα/στοιχείο σύνδεσης (βίδα) μπορεί να έρθει σε επαφή με κρυφή καλωδίωση. Τα εξαρτήματα κοπής/στοιχεία σύνδεσης που έρχονται σε επαφή με ηλεκτροφόρα καλώδια μπορεί να καταστήσουν τα εκτεθειμένα μεταλλικά μέρη του ηλεκτρικού εργαλείου ηλεκτροφόρα με αποτέλεσμα να υποστεί ηλεκτροπληξία ο χειριστής.
- Διατηρείτε σταθερό πάτημα ανά πάσα στιγμή. Βεβαιωθείτε ότι δεν βρίσκεται κανείς από κάτω όταν χρησιμοποιείτε το ηλεκτρικό εργαλείο σε υψηλά σημεία.
- Κρατήστε τα χέρια σας μακριά από τα περιστρεφόμενα μέρη.
- Χρησιμοποιείτε το εργαλείο μόνο εφόσον το κρατάτε σταθερά.
- Μην αγγίζετε το τρυπάνι ή το τεμάχιο εργασίας αμέσως μετά τη λειτουργία για την αποφυγή εγκαύματος.
- Ορισμένα υλικά περιέχουν πιθανώς τοξικές χημικές ουσίες. Αποφύγετε την εισπνοή σκόνης και την επαφή με το δέρμα. Ακολουθήστε τα δεδομένα ασφαλείας του προμηθευτή του υλικού.
- Εάν το τρυπάνι δεν μπορεί να αφαιρεθεί ακόμη και αν ανοίξουν οι σιαγόνες του τσοκ, χρησιμοποιήστε πένσα για να το τραβήξετε. Μην αφαιρείτε τρυπάνια με το χέρι για να αποφύγετε τυχόν τραυματισμό του χεριού λόγω επαφής με την αιχμή του τρυπανιού.
- Βεβαιωθείτε ότι δεν υπάρχουν καλώδια, σωλήνες νερού ή αερίου κ.λπ. Η επαφή του τρυπανιού με κρυμμένα καλώδια και σωλήνες μπορεί να οδηγήσει σε τραυματισμό.

Προφυλάξεις ασφαλείας κατά τη χρήση μακρών τρυπανιών

- Η ταχύτητα λειτουργίας δεν πρέπει να είναι μεγαλύτερη από την ονομαστική ταχύτητα του τρυπανιού.
- Ξεκινάτε πάντα τη διάτρηση με χαμηλή ταχύτητα και φέρνετε σε επαφή το άκρο του τρυπανιού με το τεμάχιο εργασίας.
- Εφαρμόζετε πίεση μόνο στο σημείο που είναι ευθυγραμμισμένο με το τρυπάνι και φροντίζετε να μην ασκείτε υπερβολική πίεση.

ΤΕΧΝΙΚΑ ΧΑΡΑΚΤΗΡΙΣΤΙΚΑ

Μοντέλο	BBP5330
Τάση	20 V (Li-ion)
Στροφές χωρίς φορτίο	0-300 / 0-1200 rpm
Μέγιστη ροπή	130 Nm
Τσοκ	16 mm, αντάπτορας M14
Άλλα χαρακτηριστικά	<ul style="list-style-type: none"> • Μοτέρ χωρίς ψήκτρες (brushless) • Ένδειξη ισχύος • Λυχνία LED

* Ο κατασκευαστής διατηρεί το δικαίωμα να πραγματοποιήσει δευτερεύουσες αλλαγές στο σχεδιασμό του προϊόντος και στα τεχνικά χαρακτηριστικά χωρίς προηγούμενη ειδοποίηση, εκτός εάν οι αλλαγές αυτές επηρεάζουν σημαντικά την απόδοση και λειτουργία ασφάλειας των προϊόντων. Τα εξαρτήματα που περιγράφονται / απεικονίζονται στις σελίδες του εγχειριδίου που κρατάτε στα χέρια σας ενδέχεται να αφορούν και σε άλλα μοντέλα της σειράς προϊόντων του κατασκευαστή, με παρόμοια χαρακτηριστικά, και ενδέχεται να μην περιλαμβάνονται στο προϊόν που μόλις αποκτήσατε.

* Για να διασφαλιστεί η ασφάλεια και η αξιοπιστία του προϊόντος καθώς και η ισχύς της εγγύησης όλες οι εργασίες επιδιόρθωσης, ελέγχου, επισκευής ή αντικατάστασης συμπεριλαμβανομένης της συντήρησης και των ειδικών ρυθμίσεων, πρέπει να εκτελούνται μόνο από τεχνικούς του εξουσιοδοτημένου τμήματος Service του κατασκευαστή.

* Χρησιμοποιείτε πάντα το προϊόν με τον παρεχόμενο εξοπλισμό. Η λειτουργία του προϊόντος με μη-προβλεπόμενο εξοπλισμό ενδέχεται να προκαλέσει βλάβη ή ακόμα και σοβαρό τραυματισμό ή θάνατο. Ο κατασκευαστής και ο εισαγωγέας ουδεμία ευθύνη φέρει για τραυματισμούς και βλάβες που προκύπτουν από την χρήση μη προβλεπόμενου εξοπλισμού.

ΟΔΗΓΙΕΣ ΧΡΗΣΗΣ

Φόρτιση της μπαταρίας

• Φορτίστε πλήρως την μπαταρία πριν από την χρήση.

1. Τοποθετήστε τον φορτιστή σε σταθερή θέση και συνδέστε τον σε μια πρίζα.
2. Τοποθετήστε την μπαταρία στον φορτιστή. Η ενδεικτική λυχνία στον φορτιστή θα αρχίσει να αναβοσβήνει με κόκκινο χρώμα για να υποδείξει ότι η φόρτιση βρίσκεται σε εξέλιξη.
3. Όταν ανάψει η πράσινη λυχνία στον φορτιστή, η μπαταρία έχει φορτιστεί πλήρως.

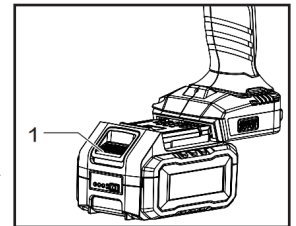
Προσοχή:

- Είναι φυσιολογικό ο φορτιστής και η μπαταρία να θερμαίνονται ελαφρώς κατά την φόρτιση.
- Εάν η μπαταρία δεν χρησιμοποιείται για μεγάλο χρονικό διάστημα, φροντίζετε να την φορτίζετε κάθε έξι μήνες ώστε η διάρκεια ζωής της να παρατείνεται.
- Μην χρησιμοποιείτε μπαταρία που έχει υποστεί ζημιά και μην αποσυναρμολογείτε τον φορτιστή και την μπαταρία.
- Μην ρίχνετε τη μπαταρία στη φωτιά, καθώς θα εκραγεί.
- Μην φορτίζετε την μπαταρία σε εξωτερικούς χώρους και σε περιοχές με υψηλή υγρασία.
- Πριν από τη φόρτιση της μπαταρίας, αποσυνδέστε την από το εργαλείο.
- Μην αποθηκεύετε την μπαταρία σε περιοχές με υψηλή υγρασία.

Τοποθέτηση ή αφαίρεση της μπαταρίας (Σχ. 1)

Προσοχή: Πριν από οποιαδήποτε ρύθμιση ή έλεγχο της λειτουργίας του εργαλείου, φροντίζετε να απενεργοποιείτε το εργαλείο και να βγάζετε την μπαταρία.

- Για να αφαιρέσετε την μπαταρία, πατήστε το κουμπί (1) στο εμπρόσθιο μέρος της μπαταρίας και ταυτόχρονα αφαιρέστε την από το εργαλείο.
- Για να τοποθετήσετε την μπαταρία, ευθυγραμμίστε την με την εγκοπή στο εργαλείο και στη συνέχεια σύρετέ την μέχρι να ασφαλίσει στο εργαλείο.



Σχ. 1

Σκανδάλη ON/OFF

- Για να θέσετε σε λειτουργία το εργαλείο, τραβήξτε τη σκανδάλη ON/OFF.
 - Η ταχύτητα περιστροφής του τρυπανιού αυξάνεται ή μειώνεται ανάλογα με την πίεση που ασκείται στη σκανδάλη.
- Αφήστε τη σκανδάλη για να σταματήσει το εργαλείο.

Επιλογέας ταχύτητας

- Το εργαλείο πρέπει να απενεργοποιείται πρώτα πριν από τη ρύθμιση της ταχύτητάς του.
- Σύρετε τον επιλογέα ταχύτητας στην πλευρά "2" για υψηλή ταχύτητα ή στην πλευρά "1" για χαμηλή ταχύτητα.
- Βεβαιωθείτε ότι ο επιλογέας ταχύτητας έχει τεθεί στη σωστή θέση πριν από τη λειτουργία.

Διακόπτης φοράς περιστροφής

Προσοχή:

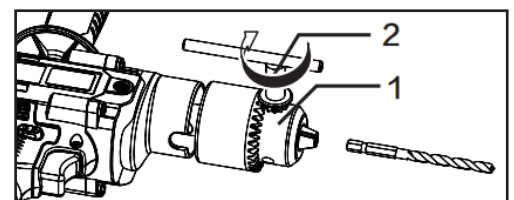
- Ελέγχετε πάντα την κατεύθυνση περιστροφής πριν από τη λειτουργία.
- Χρησιμοποιείτε το διακόπτη κατεύθυνσης περιστροφής μόνο αφού το εργαλείο σταματήσει εντελώς. Η αλλαγή της κατεύθυνσης περιστροφής πριν το εργαλείο σταματήσει ενδέχεται να προκαλέσει ζημιά στο εργαλείο.

Τοποθέτηση τρυπανιού (Σχ. 2)

1. Τοποθετήστε το τρυπάνι στο τσοκ (1) και σπρώξτε το μέσα μέχρι τέρμα.
2. Σφίξτε το τσοκ με το χέρι.
3. Τοποθετήστε το κλειδί του τσοκ (2) στις τρεις οπές και σφίξτε το δεξιόστροφα. Βεβαιωθείτε ότι σφίγγετε ομοιόμορφα τις τρεις οπές του τσοκ.

Αφαίρεση τρυπανιού (Σχ. 2)

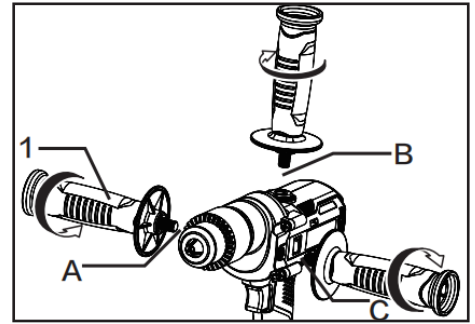
1. Εισάγετε το κλειδί του τσοκ (2) σε μια οπή.
2. Στρέψτε το δεξιόστροφα και έπειτα ξεσφίξτε το τσοκ (1) με το χέρι.



Σχ. 2

Τοποθέτηση της βοηθητικής λαβής (Σχ. 3)

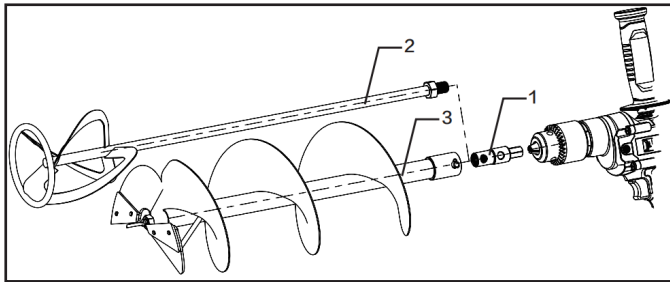
- Φροντίστε να χρησιμοποιείτε την βοηθητική χειρολαβή (1) για την διασφάλιση της ασφαλούς λειτουργίας.
- Το ηλεκτρικό εργαλείο διαθέτει 3 θέσεις τοποθέτησης για την βοηθητική λαβή (A, B, C).
- Τοποθετήστε τη βοηθητική λαβή και γυρίστε την δεξιόστροφα.
- Επιλέγεται το κατάλληλο εξάρτημα ανάλογα τις ανάγκες της εκάστοτε εργασίας.



Σχ. 3

Χρήση άλλων εξαρτημάτων (Σχ. 4)

- Μετά από την στερέωση του συνδέσμου (1) στο εργαλείο, μπορούν να τοποθετηθούν αναδευτήρες (2), τρυπάνια πάγου (3), τρυπάνια εδάφους και άλλα εξαρτήματα στο τσοκ για την εκτέλεση των αντίστοιχων εργασιών.



Σχ. 4

Μακριά βοηθητική λαβή (Σχ. 5-6, στοιχείο 1)

ΣΥΝΤΗΡΗΣΗ

Προσοχή: Πριν από την εκτέλεση οποιασδήποτε εργασίας συντήρησης ή ρύθμισης, καθώς και πριν από την αλλαγή εξαρτημάτων, φροντίστε να αποσυνδέετε το ηλεκτρικό εργαλείο από την πρίζα.

- Το ηλεκτρικό εργαλείο δεν απαιτεί λίπανση.
- Μην χρησιμοποιείτε νερό ή χημικά καθαριστικά μέσα για τον καθαρισμό του ηλεκτρικού εργαλείου. Σκουπίζετε την μονάδα με ένα στεγνό πανί.
- Αποθηκεύετε την μονάδα σε ξηρό μέρος.
- Διατηρείτε τους αεραγωγούς του κινητήρα καθαρούς.
- Να αποφεύγεται η χρήση του ηλεκτρικού εργαλείου σε σκονισμένες περιοχές.

Συμβουλές για την παράταση της διάρκειας ζωής της μπαταρίας

- Φορτίστε την μπαταρία πριν εκφορτιστεί εντελώς. Σταματάτε πάντα τη λειτουργία του εργαλείου και φορτίζετε την μπαταρία όταν παρατηρείτε μειωμένη ισχύ του εργαλείου.
- Ποτέ μην φορτίζετε μια πλήρως φορτισμένη μπαταρία. Η υπερφόρτιση μειώνει τη διάρκεια ζωής της μπαταρίας.
- Φορτίζετε την μπαταρία με θερμοκρασία δωματίου στους 10 °C - 40 °C. Σε περίπτωση που η μπαταρία είναι ζεστή, αφήστε την να κρυώσει πριν την φορτίσετε.
- Φορτίζετε την μπαταρία εάν δεν την έχετε χρησιμοποιήσει για μεγάλο χρονικό διάστημα (πάνω από έξι μήνες).

ΑΠΟΡΡΙΨΗ ΣΤΟ ΠΕΡΙΒΑΛΛΟΝ

Προκειμένου να αποφευχθούν ζημιές κατά τη μεταφορά, το εργαλείο πρέπει να παραδίδεται σε στερεά συσκευασία. Η συσκευασία καθώς και η μονάδα και τα εξαρτήματα είναι κατασκευασμένα από ανακυκλώσιμα υλικά και μπορούν να απορριφθούν αναλόγως. Τα πλαστικά εξαρτήματα του εργαλείου φέρουν σήμανση ανάλογα με το υλικό τους, γεγονός που καθιστά δυνατή την απομάκρυνση φιλικών προς το περιβάλλον και διαφοροποιημένων λόγω των διαθέσιμων εγκαταστάσεων συλλογής.



Μόνο για χώρες της Ευρωπαϊκής Ένωσης

Μην πετάτε τα ηλεκτρικά εργαλεία μαζί με τα οικιακά απορρίμματα!

Σύμφωνα με την Ευρωπαϊκή Οδηγία 2002/96/ΕΚ για τα απόβλητα ηλεκτρικού και ηλεκτρονικού εξοπλισμού και την εφαρμογή της σύμφωνα με την εθνική νομοθεσία, τα ηλεκτρικά εργαλεία που έχουν φτάσει στο τέλος της ζωής τους πρέπει να συλλέγονται χωριστά και να επιστρέφονται σε μια περιβαλλοντικά συμβατή εγκατάσταση ανακύκλωσης.

СИМВОЛИ



Носете предпазни очила.



Носете защита на слуха.



Носете предпазна маска.



Не излагайте устройството на дъжд или влага.



Съхранявайте устройството далеч от огън и силна топлина.

ИНСТРУКЦИИ ЗА БЕЗОПАСНОСТ



Предупреждение: Прочетете внимателно ръководството преди употреба. Неспазването на предупрежденията и инструкциите може да доведе до повреда на устройството и/или физическо нараняване. Съхранявайте ръководството на безопасно място за бъдещи справки.

Общи предупреждения за безопасност на електроинструментите

Безопасност в работната зона

- Поддържайте работната зона чиста и добре осветена. Тъмните или затрупани места могат да доведат до инциденти.
- Не работете с електроинструменти във взривоопасна атмосфера, например в присъствието на запалими течности или изпарения, газове или прах. Електрическите инструменти могат да предизвикат искри, които да възпламенят газовете или изпаренията.
- Докато работите с електроинструмента, дръжте децата и околните на безопасно разстояние.

Електрическа безопасност

- Уверете се, че щепселите на електроинструментите съответстват на контакта. Никога не променяйте щепсела по какъвто и да е начин. Не използвайте адаптерни щепсели със заземени електроинструменти. Използването на немодифицирани щепсели и съответстващи контакти ще намали риска от токов удар.
- Избягвайте контакт на тялото със заземени материали или предмети, като например радиатори, тръби, печки и хладилници. Съществува огромен риск от токов удар, ако тялото ви е заземено или заземено.
- Не излагайте електроинструментите на дъжд или други влажни условия. Навлизането на вода в електроинструмента може да увеличи риска от токов удар.
- Не злоупотребявайте със захранващия кабел. Никога не използвайте кабела за пренасяне, дърпане или изключване на електрически инструмент. Съхранявайте кабела на безопасно разстояние от топлина, масло, остри ръбове и всякакви движещи се части. Повредените или заплетени шнурове ще увеличат риска от токов удар.
- Когато работите с електрически инструмент на открито, използвайте удължител с подходящи спецификации за използване на открито. Използването на удължител, подходящ за употреба на открито, намалява риска от токов удар.
- Ако работата с електроинструмента на влажно място е неизбежна, използвайте захранване, което е защитено с дефектнотокова защита (ДТЗ - RCD). Използването на дефектнотокова защита намалява риска от токов удар.

Лична безопасност

- Бъдете нащрек, внимавайте какво правите и използвайте здрав разум, когато работите с електроинструмента. Не използвайте електроинструмента, ако се чувствате уморени или сте под въздействието на алкохол, наркотици или лекарства. Момент на невнимание по време на работа с електроинструмента може да доведе до сериозно нараняване на хора.
- Използвайте лични предпазни средства. Винаги носете предпазни очила. Защитното оборудване, като например маска против прах, защита на слуха, нехлъзгащи се предпазни обувки или защитни каски, използвани при подходящи условия, ще намалят риска от получаване на лични наранявания.
- Предотвратяване на непреднамерено стартиране. Уверете се, че превключвателят на захранването е в изключено положение, преди да свържете към източника на захранване и/или акумулаторната батерия, да вдигнете или пренесете електроинструмента. Пренасянето на електроинструменти с пръст върху превключвателя на захранването или свързването на електроинструменти, чийто превключвател е във включено положение, към източник на захранване може да доведе до злополуки.
- Преди да включите електроинструмента, извадете всички регулиращи ключове или гаечни ключове. Ключ за регулиране или гаечен ключ, оставен прикрепен към въртяща се част на електроинструмента, може да доведе до телесни повреди.
- Не прекалявайте. Поддържайте равновесие и правилна стойка през цялото време. Това помага на оператора да има по-добър контрол върху електроинструмента в неочаквани ситуации.
- Облечете се подходящо. Не носете свободни дрехи или бижута. Дръжте косата, дрехите и ръкавиците си далеч от движещите се части. Свободните дрехи, бижутата и/или дългата коса могат да бъдат захванати от движещите се части.

Използване и грижа за електроинструменти

- Не насилвайте електроинструмента. Използвайте подходящия електроинструмент за всяко приложение. Правилният електроинструмент винаги ще свърши работата по-добре и по-безопасно, когато се използва по предназначение.
- Не използвайте електроинструмента, ако превключвателят не го активира или деактивира. Всеки електроинструмент, който не може да се управлява с превключвателя, е изключително опасен и трябва да се ремонтира.
- Изключете главния щепсел от източника на захранване и/или акумулаторната батерия от електроинструмента, преди да смените аксесоари, да извършвате каквито и да било настройки или да съхранявате електроинструмента. Тези превантивни мерки за безопасност ще намалят риска от случайно стартиране на електроинструмента.
- Когато електроинструментът не се използва, съхранявайте го на място, недостъпно за деца, и не позволявайте на лица, които не са запознати с електроинструмента или с тези инструкции, да го използват и да работят с него. Електроинструментите са изключително опасни в ръцете на необучени потребители.
- Поддържайте електроинструмента. Проверявайте за несъсност или обвързване на движещите се части, счупване на части, течове и всякакви други проблеми, които могат да повлияят на работата на електроинструмента. Ако е повреден, поправете електроинструмента преди употреба. Много злополуки и наранявания са причинени от лошо поддържани електроинструменти.
- Поддържайте режещите части на електроинструмента остри и чисти. Правилно поддържаните режещи инструменти с остри режещи ръбове е по-малко вероятно да се заклещат и са по-прецизни и по-лесни за управление.
- Винаги използвайте електроинструмента, аксесоарите, накрайниците и др. в съответствие с инструкциите в това ръководство за експлоатация, като се съобразявате с условията на работа и работата, която трябва да се извърши. Използването на електроинструмента за приложения, различни от предвидените, може да доведе до телесни повреди или да причини повреда на електроинструмента.

- Поддържайте дръжките и всички повърхности за хващане на електроинструмента сухи, чисти и без масла и мазнини. Хлъзгавите дръжки и повърхности за хващане не позволяват безопасно боравене с инструмента при неочаквани обстоятелства.

Използване и грижа за акумулаторните инструменти

- Зареждайте батериите само със зарядното устройство, посочено от производителя. Зарядно устройство, което се използва за зареждане на неподходящи батерии, може да създаде риск от пожар.
- Използвайте електроинструмента само със специално предназначения за целта батерии. Използването на други акумулаторни батерии може да доведе до риск от нараняване и пожар.
- Когато батерията не се използва, я дръжте далеч от други метални предмети, като например щипки за хартия, монети, ключове, пирони, винтове или други малки метални предмети, които могат да направят връзка между един и друг терминал. Късото съединяване на клемите на акумулаторната батерия може да доведе до изгаряния или пожар.
- При неблагоприятни условия от батерията може да се изхвърли течност; избягвайте контакт. Ако случайно се стигне до контакт, изплакнете с вода. Ако течността попадне в очите, незабавно потърсете медицинска помощ. Течността, изхвърлена от батерията, може да причини дразнене или изгаряния.
- Не използвайте акумулаторна батерия, която е повредена или модифицирана. Повредените или модифицирани батерии може да не функционират по предназначение, което може да доведе до пожар или експлозия.
- Не излагайте акумулаторната батерия на огън или прекомерни температури. Излагането на огън или на температури над 130°C може да доведе до експлозия.
- Спазвайте всички инструкции за зареждане и не зареждайте батерията извън температурния диапазон, посочен в инструкциите. Неправилното зареждане или зареждането при температури извън посочения диапазон може да повреди батерията и да увеличи риска от пожар.

Сервиз

- Възложете сервизното обслужване на електроинструмента на квалифициран сервизен персонал, като използвате само идентични резервни части. Това ще гарантира запазването на безопасността на електроинструмента.
- Никога не се опитвайте сами да ремонтирате повредени акумулаторни батерии. Сервизното обслужване на акумулаторните батерии трябва да се извършва само от производителя или от оторизирани сервизни техници.

Инструкции за безопасност за акумулаторни бормашини

- Използвайте спомагателната(ите) дръжка(и), ако са доставени с инструмента. Загубата на контрол може да доведе до нараняване на хора.
- Дръжте електроинструмента за изолираните повърхности за захващане, когато извършвате операция, при която режещият аксесоар/крепежът може да влезе в контакт със скрити кабели. Режещите аксесоари/крепежни елементи, които контактуват с проводник под напрежение, могат да направят откритите метални части на електроинструмента "под напрежение" и да причинят на оператора токов удар.
- Поддържайте стабилна основа през цялото време. Уверете се, че никога не се намира отдолу, когато използвате електроинструмента на високи места.
- Дръжте ръцете си далеч от въртящите се части.
- Работете с инструмента само когато го държите здраво.
- Не докосвайте свредлото или обработвания детайл непосредствено след работа, тъй като те могат да бъдат изключително горещи и да изгорят кожата ви.
- Някои материали съдържат химикали, които може да са токсични. Предпазвайте се от вдишване на прах и контакт с кожата. Следвайте данните за безопасност на доставчика на материала.
- Ако свредлото не може да се извади дори при отваряне на челюстите, използвайте клещи, за да го извадите. Не изваждайте свредлото с ръка, за да предотвратите нараняване на ръката поради контакт с острия ръб на свредлото.
- Уверете се, че няма кабели, водопроводи, газопроводи и др. Досегът на свредлото със скрити кабели и тръби може да доведе до нараняване на хора.

Предпазни мерки за безопасност при използване на дълги свредла

- Работната скорост не трябва да е по-висока от номиналната скорост на свредлото.
- Винаги започвайте пробиването с ниска скорост и допирайте края на свредлото до детайла.
- Прилагайте натиск само в позицията, която е в съответствие с пробивното свредло, и не прилагайте прекомерен натиск.

ТЕХНИЧЕСКИ ДАННИ

Модел	BBP5330
Напрежение	20 V (Li-ion)
Обороти на празен ход	0-300 / 0-1200 об/мин
Макс. въртящ момент	130 Nm
Свредлен патронник	16 mm, адаптер M14
Други функции	<ul style="list-style-type: none"> • Безчетков двигател • Дисплей за захранване • LED светлина

* Производителят си запазва правото да прави незначителни промени в дизайна и техническите спецификации на продуктите без предварително уведомление, освен ако тези промени не засягат значително работата и безопасността на продуктите. Частите, описани/илюстрирани на страниците на ръководството, което държите в ръцете си, може да се отнасят и за други модели от продуктовата линия на производителя с подобни характеристики и може да не са включени в току-що придобития от вас продукт.

* За да се гарантира безопасността и надеждността на продукта и валидността на гаранцията, всички дейности по ремонт, проверка или замяна, включително поддръжка и специални настройки, трябва да се извършват само от техници от оторизирания сервиз на производителя.

* Винаги използвайте продукта с доставеното оборудване. Работата на продукта с неосигурено оборудване може да доведе до неизправности или дори до сериозни наранявания или смърт. Производителят и вносителят не носят отговорност за наранявания и щети, възникнали в резултат на използването на несъответстващо на изискванията оборудване.

ИНСТРУКЦИИ ЗА РАБОТА

Зареждане на батерията

- Заредете напълно батерията преди употреба.
1. Поставете зарядното устройство на стабилно място и го включете в електрически контакт.
 2. Поставете батерията. Индикаторът на зарядното устройство ще мига в червено, за да покаже, че зареждането е в ход.
 3. Когато зелената светлина на зарядното устройство светне, зареждането на батерията е приключило.

Внимание:

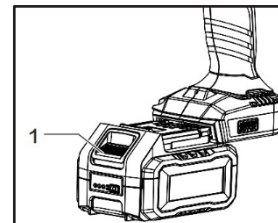
- Нормално е зарядното устройство и батерията да се нагряват леко при зареждане.
- Ако батерията не се използва дълго време, тя трябва да се зарежда веднъж на всеки шест месеца, за да се удължи експлоатационният ѝ живот.
- Не използвайте повредена батерия и не разглобявайте зарядното устройство и батерията.
- Не хвърляйте батерията в огъня, тъй като тя ще се взриви.

- Не зареждайте батерията на открито и във влажни помещения.
- Преди да заредите батерията, изключете я от инструмента.
- Не съхранявайте батерията във влажни помещения.

Монтиране или демониране на батерията (фиг. 1)

Внимание: Преди да регулирате или проверявате функциите на инструмента, задължително изключете инструмента и извадете батерията.

- За да извадите батерията, натиснете бутона (1) в предната част на батерията и я издърпайте от инструмента едновременно.
- За да инсталирате батерията, подравнете я с жлеба на инструмента и я плъзнете, докато се застопори.



Фиг. 1

Спусък за включване/изключване

- За да задействате инструмента, дръпнете спусъка за включване/изключване.
 - Скоростта на въртене на свредлото се увеличава или намалява в зависимост от натиска, упражняван върху спусъка.
- Освободете спусъка, за да спрете инструмента.

Селектор на скоростта

- Преди да регулирате скоростта на инструмента, първо изключете инструмента.
- Плъзнете превключвателя на скоростта към страната "2" за висока скорост или към страната "1" за ниска скорост.
- Преди работа се уверете, че селекторът на скоростта е поставен в правилната позиция.

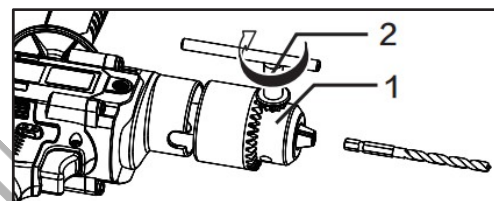
Превключвател за посоката на въртене

Внимание:

- Винаги проверявайте посоката на въртене преди работа.
- Използвайте превключвателя за посоката на въртене само след като инструментът спре напълно. Промяната на посоката на въртене, преди инструментът да е спрял, може да повреди инструмент.

Монтиране на свредло (фиг. 2)

1. Поставете свредлото в патронника (1) и го вкарайте колкото е възможно по-навътре.
2. Затегнете патронника с ръка.
3. Поставете ключа на патронника (2) в трите отвора и го затегнете по посока на часовниковата стрелка. Уверете се, че затягате трите отвора на патронника равномерно.



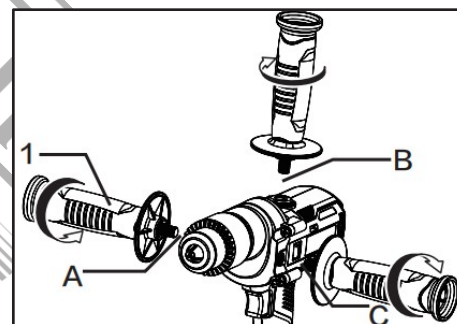
Фиг. 2

Изваждане на свредло (фиг. 2)

1. Поставете ключа на патронника (2) в отвора.
2. Завъртете го по посока на часовниковата стрелка и след това разхлабете патронника (1) с ръка.

Монтиране на спомагателната дръжка (фиг. 3)

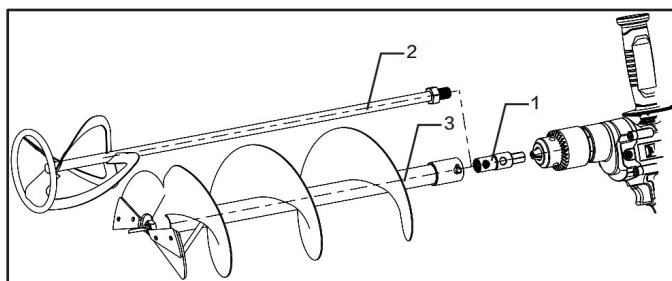
- Задължително използвайте допълнителната дръжка (1), за да осигурите безопасна работа.
- Електроинструментът е оборудван с 3 позиции за монтиране на спомагателната ръкохватка (А, В, С).
- Монтирайте спомагателната ръкохватка и я завъртете по посока на часовниковата стрелка.
- Аксесоарите могат да се избират в зависимост от работните нужди.



Фиг. 3

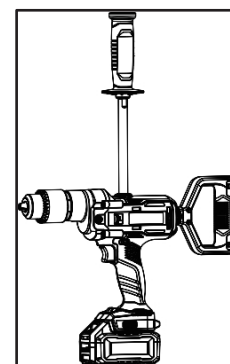
Използване на други аксесоари (фиг. 4)

- След затягане на съединителя (1) патронникът може да използва бъркалка (2), ледобур (3), шлифована бормашина и други аксесоари за извършване на съответната работа.

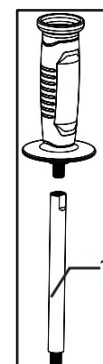


Фиг. 4

Удължена помощна дръжка (Фиг. 5-6, елемент 1)



Фиг. 5



Фиг. 6

ПОДДЪРЖАНЕ

Внимание: Не забравяйте да изключите електроинструмента от електрическата мрежа, преди да извършвате каквато и да е работа по поддръжката или регулирането, както и преди да сменяте аксесоари.

- Електроинструментът не се нуждае от смазване.
- Не използвайте вода или химически почистващи препарати за почистване на електроинструмента. Просто го избършете със суха кърпа.
- Съхранявайте устройството на сухо място.
- Поддържайте вентилационните отвори на двигателя чисти.
- Избягвайте да използвате електроинструмента в запрашени помещения.

Съвети за поддържане на максимален живот на батерията

- Заредете батерията, преди да се е разредила напълно. Винаги спирайте работата на инструмента и зареждайте батерията, когато забележите, че мощността на инструмента намалява.
- Никога не презареждайте напълно заредена батерия. Презареждането скъсява живота на батерията.
- Заредете батерията при стайна температура от 10 °C до 40 °C. Оставете горещата батерия да изстине, преди да я заредите.
- Заредете батерията, ако не е била използвана за дълъг период от време (повече от шест месеца).

ЕКОЛОГИЧНО ОБЕЗВРЕЖДАНЕ

За да се избегнат повреди при транспортиране, инструментът трябва да се достави в здрава опаковка. Опаковката, както и устройството и аксесоарите, са изработени от рециклируеми материали и могат да бъдат изхвърлени по съответния начин. Пластмасовите компоненти на инструмента са маркирани според материала, от който са изработени, което прави възможно отстраняването на екологични и диференцирани поради наличните съоръжения за събиране.



Само за страни от ЕС

Не изхвърляйте електрически инструменти заедно с битови отпадъци!

В съответствие с Европейската директива 2002/96/ЕО относно отпадъците от електрическо и електронно оборудване и нейното прилагане в съответствие с националното законодателство, електрическите инструменти, чийто живот е изтекъл, трябва да се събират отделно и да се връщат в екологично съвместимо съоръжение за рециклиране.



SIMBOLURI



Purtați ochelari de protecție.



Purtați protecție auditivă.



Purtați o mască de protecție.



Nu expuneți aparatul la ploaie sau umiditate.



Păstrați aparatul departe de foc și de căldură intensă.

INSTRUCIUNI DE SIGURANȚĂ



Avertisment: Citiți cu atenție manualul înainte de utilizare. Nerespectarea avertismentelor și instrucțiunilor poate duce la deteriorarea unității și/sau la vătămări corporale. Păstrați manualul într-un loc sigur pentru consultări viitoare.

Avertismente generale de siguranță pentru scule electrice

Siguranța zonei de lucru

- Păstrați zona de lucru curată și bine luminată. Zonele întunecate sau dezordonate pot duce la accidente.
- Nu folosiți uneltele electrice în atmosfere explozive, cum ar fi în prezența unor lichide sau vapori inflamabili, gaze sau praf. Uneltele electrice ar putea crea scântei care ar putea aprinde gazele sau vaporii.
- Păstrați copiii și persoanele aflate în preajmă la o distanță sigură în timpul utilizării sculei electrice.

Siguranța electrică

- Asigurați-vă că fișele de conectare a sculelor electrice se potrivesc cu priza. Nu modificați niciodată fișa în niciun fel. Nu utilizați fișe adaptoare cu uneltele electrice cu împământare. Utilizarea unor fișe nemodificate și a unor prize potrivite va reduce riscul de electrocutare.
- Evitați contactul corpului cu materiale sau obiecte legate la pământ sau împământate, cum ar fi radiatoare, țevi, cuptoare și frigidere. Există un risc enorm de șoc electric dacă corpul dumneavoastră este legat la pământ sau împământat.
- Nu expuneți uneltele electrice la ploaie sau în orice alte condiții de umezeală. Apa care pătrunde într-o unealtă electrică ar putea crește riscul de electrocutare.
- Nu abuzați de cablul de alimentare. Nu utilizați niciodată cablul pentru a transporta, trage sau deconecta scula electrică. Păstrați cablul la o distanță sigură de căldură, ulei, margini ascuțite și orice piese în mișcare. Cablurile deteriorate sau încurcate vor crește riscul de electrocutare.
- Atunci când folosiți o unealtă electrică în aer liber, utilizați un cablu prelungitor care are specificațiile corespunzătoare pentru utilizarea în aer liber. Utilizarea unui cablu prelungitor adecvat pentru utilizarea în exterior reduce riscul de electrocutare.
- În cazul în care este inevitabil să folosiți o unealtă electrică într-o locație umedă, utilizați o sursă de alimentare care este protejată de un dispozitiv de curent diferențial rezidual (DDR). Utilizarea unui astfel de dispozitiv reduce riscul de electrocutare.

Siguranța personală

- Rămâneți în alertă, urmăriți ceea ce faceți și folosiți bunul simț atunci când folosiți scula electrică. Nu utilizați scula electrică dacă v-a simțit obosit sau dacă vă aflați sub influența alcoolului, a drogurilor sau a medicamentelor. Un moment de neatenție în timpul utilizării sculei electrice poate avea ca rezultat vătămări corporale grave.
- Utilizați echipament de protecție personală. Purtați întotdeauna protecție pentru ochi. Echipamentul de protecție, cum ar fi masca de protecție împotriva prafului, protecția auditivă, pantofii de siguranță antiderapați sau căștile de protecție, utilizate în condiții adecvate, vor reduce riscul de a suferi vătămări corporale.
- Preveniți pornirea neintenționată. Asigurați-vă că întrerupătorul de alimentare este în poziția oprit înainte de a conecta la sursa de alimentare și/sau la pachetul de baterii, de a ridica sau de a transporta scula electrică. Transportarea uneltelor electrice cu degetul pe întrerupătorul de alimentare sau conectarea uneltelor electrice care au întrerupătorul în poziția pornit la o sursă de alimentare poate duce la accidente.
- Îndepărtați orice chei sau chei de reglare înainte de a porni scula electrică. O cheie de reglare sau o cheie rămasă atașată la o parte rotativă a sculei electrice poate provoca vătămări corporale.
- Nu exagerați. Păstrați în permanență echilibrul și o poziție corectă. Acest lucru ajută operatorul să aibă un control mai bun al sculei electrice în situații neprevăzute.
- Îmbrăcați-vă corespunzător. Nu purtați haine largi sau bijuterii. Țineți-vă părul, hainele și mănușile departe de orice piese în mișcare. Hainele largi, bijuteriile și/sau părul lung pot fi prinse în piesele în mișcare.

Utilizarea și îngrijirea sculelor electrice

- Nu forțați scula electrică. Folosiți scula electrică potrivit pentru fiecare aplicație. Unealta electrică corectă va face întotdeauna treaba mai bine și mai sigur atunci când este utilizată conform destinației.
- Nu utilizați scula electrică dacă întrerupătorul nu o activează sau dezactivează. Orice unealtă electrică care nu poate fi controlată cu ajutorul comutatorului este extrem de periculoasă și trebuie reparată.
- Deconectați ștecherul principal de la sursa de alimentare și/sau acumulatorul de la scula electrică înainte de a schimba accesoriile, de a face orice reglaje sau de a depozita scula electrică. Astfel de măsuri preventive de siguranță vor reduce riscul de pornire accidentală a sculei electrice.
- Atunci când scula electrică nu este utilizată, păstrați-o departe de copiii și nu permiteți persoanelor care nu cunosc scula electrică sau aceste instrucțiuni să o utilizeze și să o folosească. Uneltele electrice sunt extrem de periculoase în mâinile unor utilizatori neinstruiți.
- Întrețineți scula electrică. Verificați dacă piesele în mișcare nu sunt nealinate sau blocate, dacă piesele sunt rupte, dacă există scurgeri și orice altă problemă care poate afecta funcționarea sculei electrice. Dacă este deteriorată, reparați scula electrică înainte de utilizare. Multe accidente și răni sunt cauzate de uneltele electrice întreținute necorespunzător.
- Păstrați piesele tăietoare ale sculei electrice ascuțite și curate. Uneltele de tăiere întreținute corespunzător, cu muchii de tăiere ascuțite, sunt mai puțin susceptibile de a se bloca și sunt mai precise și mai ușor de controlat.
- Utilizați întotdeauna scula electrică, accesoriile și biții de scule etc. în conformitate cu instrucțiunile din acest manual de instrucțiuni, ținând cont de condițiile de lucru și de lucrările care urmează să fie efectuate. Utilizarea sculei electrice pentru aplicații diferite de cele prevăzute ar putea duce la vătămări corporale sau la deteriorarea sculei electrice.

- Păstrați mânerul și toate suprafețele de prindere ale sculei electrice uscate, curate și lipsite de ulei și grăsime. Mânerul și suprafețele de prindere alunecoase nu permit manevrarea în siguranță a sculei în situații neprevăzute.

Utilizarea și îngrijirea uneltelor cu baterii

- Reîncărcați bateriile numai cu încărcătorul specificat de producător. Un încărcător care este utilizat pentru a încărca baterii nepotrivite poate crea un risc de incendiu.
- Folosiți scula electrică numai cu acumulatorii special prevăzuți. Utilizarea oricăror alte pachete de baterii poate crea un risc de rănire și de incendiu.
- Atunci când acumulatorul nu este utilizat, păstrați-l departe de alte obiecte metalice, cum ar fi agrafe de hârtie, monede, chei, cuie, șuruburi sau alte obiecte metalice mici care pot face o conexiune de la un terminal la altul. Dacă puneți în scurtcircuit bornele bateriei, puteți provoca arsuri sau un incendiu.
- În condiții abuzive, din baterie poate ieși lichid; evitați contactul. Dacă se produce accidental un contact, spălați cu apă. Dacă lichidul intră în contact cu ochii, solicitați imediat asistență medicală. Lichidul ejectat din baterie poate provoca iritații sau arsuri.
- Nu utilizați un acumulator deteriorat sau modificat. Este posibil ca bateriile deteriorate sau modificate să nu funcționeze conform destinației, ceea ce poate duce la incendiu sau explozie.
- Nu expuneți un pachet de baterii la foc sau la temperaturi excesive. Expunerea la foc sau la temperaturi de peste 130°C poate provoca o explozie.
- Respectați toate instrucțiunile de încărcare și nu încărcați acumulatorul în afara intervalului de temperatură specificat în instrucțiuni. Încărcarea necorespunzătoare sau la temperaturi în afara intervalului specificat poate deteriora bateria și crește riscul de incendiu.

Serviciul

- Trimiteți scula electrică la service de către personal calificat, folosind numai piese de schimb identice. Astfel se va asigura menținerea siguranței sculei electrice.
- Nu încercați niciodată să reparați singuri acumulatorii deteriorați. Întreținerea pachetelor de baterii trebuie efectuată numai de către producător sau de către tehnicienii de service autorizați.

Instrucțiuni de siguranță pentru mașinile de găurit fără fir

- Utilizați mânerul (mânerul) auxiliar(e), dacă este (sunt) furnizat(e) împreună cu unealta. Pierderea controlului poate provoca vătămări corporale.
- Țineți scula electrică de suprafețele de prindere izolate, atunci când efectuați o operațiune în care accesoriul de tăiere/fixare poate intra în contact cu cabluri ascunse. Accesoriile de tăiere/fitingurile de fixare care intră în contact cu un fir "sub tensiune" pot face ca părțile metalice expuse ale sculei electrice să fie "sub tensiune" și pot provoca un șoc electric operatorului.
- Păstrați o poziție fermă în permanență. Asigurați-vă că nu se află nimeni dedesubt atunci când folosiți scula electrică în locuri înalte.
- Țineți mâinile departe de piesele rotative.
- Acționați unealta numai dacă o țineți ferm.
- Nu atingeți burghiul sau piesa de prelucrat imediat după utilizare, deoarece acestea pot fi extrem de fierbinți și vă pot arde pielea.
- Unele materiale conțin substanțe chimice care pot fi toxice. Luați măsuri de precauție pentru a preveni inhalarea prafului și contactul cu pielea. Respectați datele de siguranță ale furnizorului de materiale.
- În cazul în care burghiul nu poate fi îndepărtat chiar dacă se deschid fălcile, utilizați un clește pentru a-l scoate. Nu scoateți burghiul cu mâna pentru a preveni rănirea mâinii din cauza contactului cu marginea ascuțită a burghiului.
- Asigurați-vă că nu există cabluri, conducte de apă, conducte de gaz etc. Contactul burghiului cu cabluri și țevi ascunse poate duce la vătămări corporale.

Măsuri de siguranță la utilizarea burghiilor lungi

- Viteza de operare nu trebuie să fie mai mare decât viteza nominală a burghiului.
- Întotdeauna începeți găurirea la viteză redusă și puneți în contact capătul burghiului cu piesa de prelucrat.
- Aplicați presiune numai în poziția aliniată cu burghiul și nu aplicați o presiune excesivă.

DATE TEHNICE

Model	BBP5330
Tensiune	20 V (Li-ion)
Turație de mers în gol	0-300 / 0-1200 rpm
Cuplu maxim	130 Nm
Mandrină de găurit	16 mm, adaptor M14
Alte caracteristici	<ul style="list-style-type: none"> • Motor fără perii • Afișaj de putere • Lumină LED

* Producătorul își rezervă dreptul de a aduce modificări minore la designul și specificațiile tehnice ale produsului fără notificare prealabilă, cu excepția cazului în care aceste modificări afectează în mod semnificativ performanța și siguranța produselor. Piese descrise / ilustrate în paginile manualului pe care îl țineți în mâini pot viza și alte modele din linia de produse ale producătorului cu caracteristici similare și pot să nu fie incluse în produsul pe care tocmai l-ați achiziționat.

* Pentru a asigura siguranța și fiabilitatea produsului, precum și valabilitatea garanției, toate lucrările de reparare, inspecție sau înlocuire, inclusiv întreținerea și reglajele speciale, trebuie efectuate numai de către tehnicienii ai departamentului de service autorizat al producătorului.

* Utilizați întotdeauna produsul cu echipamentul furnizat. Funcționarea produsului cu echipamente care nu sunt furnizate poate cauza defecțiuni sau chiar vătămări grave sau chiar moartea. Producătorul și importatorul nu sunt răspunzători pentru vătămările și daunele rezultate din utilizarea unui echipament neconform.

INSTRUCȚIUNI DE UTILIZARE

Încărcarea bateriei

- Încărcați complet bateria înainte de utilizare.
1. Așezați încărcătorul într-o poziție stabilă și conectați-l la o priză electrică.
 2. Introduceți bateria. Indicatorul luminos de pe încărcător va clipi în roșu pentru a indica faptul că încărcarea este în curs.
 3. Când se aprinde lumina verde de pe încărcător, bateria s-a terminat de încărcat.

Atenție:

- Este normal ca încărcătorul și bateria să se încălzească ușor la încărcare.
- Dacă bateria nu este utilizată pentru o perioadă lungă de timp, aceasta trebuie reîncărcată o dată la șase luni pentru a-i prelungi durata de viață.
- Nu utilizați o baterie deteriorată și nu dezasamblați încărcătorul și bateria.
- Nu aruncați bateria în foc, deoarece aceasta va exploda.

- Nu încărcați bateria în aer liber și în zone umede.
- Înainte de a încărca bateria, deconectați-o de la sculă.
- Nu depozitați bateria în zone umede.

Instalarea sau scoaterea bateriei (Fig. 1)

Atenție: Înainte de a regla sau de a verifica funcția sculei, asigurați-vă că ați oprit scula și ați scos bateria.

- Pentru a scoate acumulatorul, apăsați butonul (1) din partea din față a acumulatorului și scoateți-l din unealtă în același timp.
- Pentru a instala bateria, aliniați-o cu canelura de pe sculă și apoi glisați-o până când se blochează în poziție.

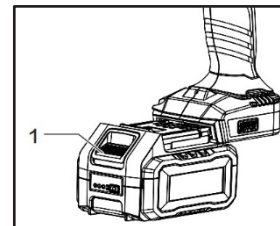


Fig. 1

Trăgaciul ON/OFF

- Pentru a acționa scula, trageți de trăgaciul ON/OFF.
 - Viteza de rotație a burghiului crește sau scade în funcție de presiunea exercitată asupra trăgaciului.
- Eliberați trăgaciul pentru a opri scula.

Selector de viteză

- Înainte de a regla viteza sculei, opriți mai întâi scula.
- Glisați selectorul de viteză în partea "2" pentru viteză mare sau în partea "1" pentru viteză mică.
- Asigurați-vă că selectorul de viteză este setat în poziția corectă înainte de utilizare.

Comutator de direcție de rotație

Atenție:

- Verificați întotdeauna direcția de rotație înainte de utilizare.
- Utilizați comutatorul de direcție de rotație numai după ce scula s-a oprit complet. Schimbarea sensului de rotație înainte ca scula să se oprească poate deteriora scula.

Instalarea unui burghiu (Fig. 2)

1. Introduceți burghiul în mandrină (1) și împingeți-l cât mai mult posibil.
2. Strângeți mandrina cu mâna.
3. Introduceți cheia de mandrină (2) în cele trei găuri și strângeți-o în sensul acelor de ceasornic.
 - Asigurați-vă că strângeți cele trei găuri de mandrină în mod egal.

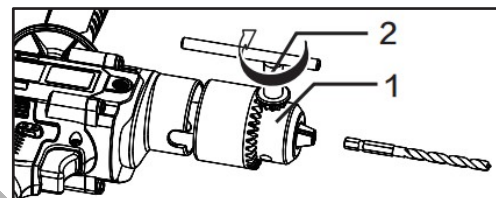


Fig. 2

Îndepărtarea unui burghiu (Fig. 2)

1. Introduceți cheia de mandrină (2) într-o gaură.
2. Rotiți-l în sensul acelor de ceasornic și apoi slăbiți mandrina (1) cu mâna.

Montarea mânerului auxiliar (Fig. 3)

- Asigurați-vă că folosiți mânerul auxiliar (1) pentru a asigura o funcționare sigură.
- Unealta electrică este echipată cu 3 poziții de instalare a mânerului auxiliar (A, B, C).
- Instalați mânerul auxiliar și rotiți-l în sensul acelor de ceasornic.
- Accesoriile pot fi selectate în funcție de nevoile de lucru.

Utilizarea altor accesorii (Fig. 4)

- După fixarea conectorului (1), mandrina poate folosi un agitator (2), un burghiu de gheață (3), un burghiu de rectificat și alte accesorii pentru a efectua lucrările corespunzătoare.

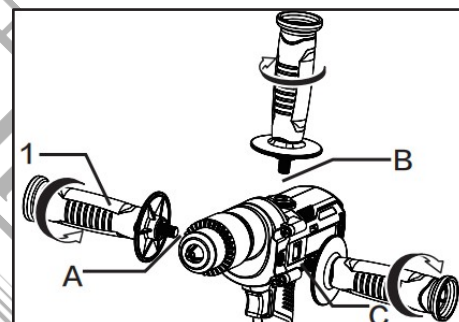


Fig. 3

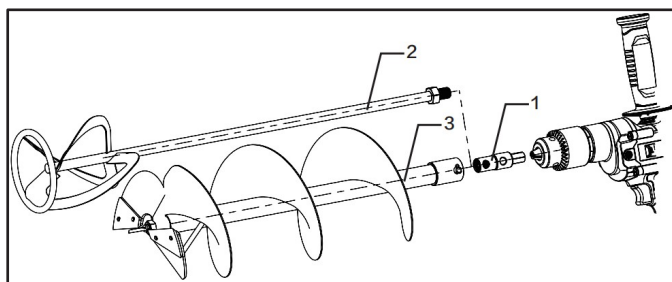


Fig. 4

Mâner auxiliar extins (Fig. 5-6, element 1)

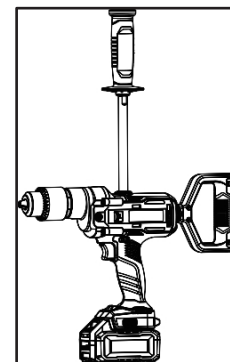


Fig. 5

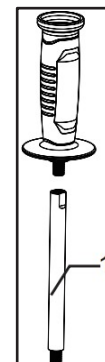


Fig. 6

ÎNTREȚINERE

Atenție: Asigurați-vă că scoateți scula electrică din priză înainte de a efectua orice operație de întreținere sau de reglare, precum și înainte de a schimba accesoriile.

- Unealta electrică nu necesită lubrifiere.
- Nu folosiți apă sau agenți de curățare chimici pentru a curăța scula electrică. Pur și simplu ștergeți-o cu o cârpă uscată.
- Depozitați aparatul într-un loc uscat.
- Păstrați curate orificiile de aerisire ale motorului.
- Evitați utilizarea sculei electrice în zone cu praf.

Sfaturi pentru menținerea unei durate maxime a bateriei

- Încărcați bateria înainte de a o descărca complet. Întrerupeți întotdeauna funcționarea sculei și încărcați acumulatorul atunci când observați o putere mai mică a sculei.
- Nu reîncărcați niciodată o baterie complet încărcată. Supraîncărcarea scurtează durata de viață a bateriei.
- Încărcați bateria la o temperatură ambiantă de 10 °C - 40 °C. Lăsați o baterie fierbinte să se răcească înainte de a o încărca.
- Încărcați bateria dacă nu a fost utilizată pentru o perioadă lungă de timp (mai mult de șase luni).

ELIMINAREA MEDIULUI

Pentru a evita deteriorările în timpul transportului, scula trebuie să fie livrată într-un ambalaj solid. Ambalajul, precum și unitatea și accesoriile sunt fabricate din materiale reciclabile și pot fi eliminate în mod corespunzător. Componentele din plastic ale unelei sunt marcate în funcție de materialul lor, ceea ce face posibilă îndepărtarea ecologică și diferențiată datorită facilităților de colectare disponibile.



Numai pentru țările UE

Nu aruncați sculele electrice împreună cu deșeurile menajere!

În conformitate cu Directiva europeană 2002/96/CE privind deșeurile de echipamente electrice și electronice și cu punerea în aplicare a acesteia în conformitate cu legislația națională, uneltele electrice care au ajuns la sfârșitul duratei lor de viață trebuie colectate separat și returnate la o instalație de reciclare compatibilă cu mediul.

SIMBOLI



Nosite zaštitu za oči.



Nosite zaštitu za sluh.



Nosite sigurnosnu masku.



Ne izlažite uređaj kiši ili vlazi.



Držite uređaj dalje od vatre i jake topline.

UPUTE O SIGURNOSTI



Upozorenje: Pažljivo pročitajte priručnik prije upotrebe. Nepoštivanje upozorenja i uputa može rezultirati oštećenjem uređaja i/ili tjelesnom ozljedom. Čuvajte priručnik na sigurnom mjestu za buduću referencu.

Opća upozorenja o sigurnosti alata na struju

Sigurnost radnog područja

- Držite radno područje čistim i dobro osvijetljenim. Tamna ili zatrpana područja mogu dovesti do nesreća.
- Ne koristite alate na struju u eksplozivnim atmosferama, poput prisutnosti zapaljivih tekućina ili para, plinova ili prašine. Alati na struju mogu stvarati varnice koje mogu zapaliti plinove ili pare.
- Držite djecu i promatrače na sigurnom odstojanju dok koristite alat na struju.

Električna sigurnost

- Provjerite odgovaraju li utikači alata na struju utičnici. Nikada nemojte mijenjati utikač na bilo koji način. Ne koristite adaptere s uzemljenim alatima na struju. Korištenje neizmijenjenih utikača i odgovarajućih utičnica smanjit će rizik od električnog udara.
- Izbjegavajte dodir tijela s uzemljenim materijalima ili objektima, poput radijatora, cijevi, štednjaka i hladnjaka. Postoji ogroman rizik od električnog udara ako je vaše tijelo uzemljeno.
- Ne izlažite alate na struju kiši ili bilo kojim drugim vlažnim uvjetima. Ulazak vode u alat na struju može povećati rizik od električnog udara.
- Ne zlostavljajte kabel za napajanje. Nikada ne koristite kabel za nošenje, povlačenje ili isključivanje električnog alata. Držite kabel na sigurnom odstojanju od topline, ulja, oštih rubova i pokretnih dijelova. Oštećeni ili zapetljani kablovi povećavaju rizik od električnog udara.
- Prilikom korištenja električnog alata na otvorenom, koristite produžni kabel koji ima odgovarajuće specifikacije za vanjsku upotrebu. Korištenje produžnog kabla pogodnog za vanjsku upotrebu smanjuje rizik od električnog udara.
- Ako je rad električnog alata na vlažnom mjestu neizbježan, koristite napajanje koje je zaštićeno zaštitnim uređajem za diferencijalnu struju (RCD). Korištenje takvog uređaja smanjuje rizik od električnog udara.

Osobna sigurnost

- Budite budni, pazite što radite i koristite zdrav razum prilikom korištenja električnog alata. Ne koristite električni alat ako ste umorni ili pod utjecajem alkohola, droga ili lijekova. Trenutak nepažnje prilikom korištenja električnog alata može rezultirati ozbiljnom tjelesnom ozljedom.
- Koristite osobnu zaštitnu opremu. Uvijek nosite zaštitne naočale. Zaštitna oprema poput maske za prašinu, zaštite za sluh, cipela s protukliznim potplatom ili zaštitnih kaciga, korištena u odgovarajućim uvjetima, smanjit će rizik od ozljeda.
- Sprječite nenamjerno pokretanje. Provjerite je li prekidač isključen prije spajanja na izvor napajanja i/ili baterijski paket, podizanja ili nošenja električnog alata. Nošenje električnih alata s prstom na prekidaču ili spajanje električnih alata koji imaju prekidač u uključenoj položaju na izvor napajanja može dovesti do nesreća.
- Uklonite sve ključeve za podešavanje ili ključeve prije uključivanja električnog alata. Ključ za podešavanje ili ključ ostavljen pričvršćen za rotirajući dio električnog alata može rezultirati tjelesnom ozljedom.
- Ne dosežite predaleko. Održavajte ravnotežu i pravilno držanje u svakom trenutku. To pomaže operateru da bolje kontrolira električni alat u neočekivanim situacijama.
- Pravilno se obucite. Ne nosite labavu odjeću ili nakit. Držite kosu, odjeću i rukavice dalje od pokretnih dijelova. Labava odjeća, nakit i/ili duga kosa mogu se uhvatiti u pokretnim dijelovima.

Upotreba i održavanje električnog alata

- Ne prisiljavajte električni alat. Koristite odgovarajući električni alat za svaku primjenu. Pravilno korišteni odgovarajući električni alat uvijek će obaviti posao bolje i sigurnije kada se koristi kako je namijenjeno.
- Ne koristite električni alat ako se prekidač ne može uključiti ili isključiti. Svaki električni alat koji se ne može kontrolirati prekidačem izuzetno je opasan i mora se popraviti.
- Isključite glavni utikač iz izvora napajanja i/ili baterijski paket iz električnog alata prije mijenjanja pribora, vršenja bilo kakvih prilagodbi ili pohrane električnog alata. Takve preventivne sigurnosne mjere smanjit će rizik od slučajnog pokretanja električnog alata.
- Kada se električni alat ne koristi, čuvajte ga izvan doseg djece i ne dopustite osobama koje nisu upoznate s električnim alatom ili ovim uputama da koriste i rukuju električnim alatom. Električni alati su izuzetno opasni u rukama neobučanih korisnika.
- Održavajte električni alat. Provjerite postoji li iskrivljenje ili blokada pokretnih dijelova, lom dijelova, curenje i bilo koji drugi problem koji može utjecati na rad električnog alata. Ako je oštećen, električni alat treba popraviti prije upotrebe. Mnoge nesreće i ozljede uzrokovane su loše održanim električnim alatima.
- Držite oštre i čiste dijelove za rezanje električnog alata. Pravilno održavani alati za rezanje s oštirim rubovima manje su skloni blokiranju i precizniji su i lakši za kontrolu.
- Uvijek koristite električni alat, pribor i alate itd. u skladu s uputama ovog uputstva za upotrebu, uzimajući u obzir radne uvjete i posao koji treba obaviti. Korištenje električnog alata za primjene različite od namijenjenih može rezultirati tjelesnom ozljedom ili oštećenjem električnog alata.

- Držite ručke i sve površine za hvatanje električnog alata suhim, čistim i bez ulja i masti. Klizave ručke i površine za hvatanje ne dopuštaju sigurno rukovanje alatom u neočekivanim situacijama.

Upotreba i održavanje baterijskog alata

- Napunite baterije samo s punjačem koji je naveden od strane proizvođača. Punjač koji se koristi za punjenje neodgovarajućih baterija može stvoriti rizik od požara.
- Koristite električni alat samo s posebno određenim baterijskim paketima. Upotreba bilo kojih drugih baterijskih paketa može stvoriti rizik od ozljeda i požara.
- Kada baterijski paket nije u upotrebi, držite ga dalje od drugih metalnih predmeta, poput spajalica, novčića, ključeva, čavala, vijaka ili drugih malih metalnih predmeta koji mogu napraviti spoj s jednog terminala na drugi. Spajanje terminala baterije može uzrokovati opekline ili požar.
- Pod nasilnim uvjetima, tekućina može biti izbačena iz baterije; izbjegavajte kontakt. Ako dođe do slučajnog kontakta, isperite vodom. Ako tekućina dođe u kontakt s očima, odmah potražite medicinsku pomoć. Tekućina izbačena iz baterije može izazvati iritaciju ili opekline.
- Ne koristite oštećeni ili modificirani baterijski paket. Oštećene ili modificirane baterije možda neće funkcionirati kako je namijenjeno, što može rezultirati požarom ili eksplozijom.
- Ne izlažite baterijski paket vatri ili pretjeranim temperaturama. Izloženost vatri ili temperaturama iznad 130°C može uzrokovati eksploziju.
- Slijedite sve upute za punjenje i ne puniti baterijski paket izvan temperaturnog raspona navedenog u uputama. Nepravilno punjenje ili punjenje na temperaturama izvan navedenog raspona može oštetiti bateriju i povećati rizik od požara.

Servis

- Električni alat servisirajte kod kvalificiranog servisnog osoblja, koristeći samo identične zamjenske dijelove. Time će se osigurati da je sigurnost električnog alata očuvana.
- Nikada ne pokušavajte sami popravljati oštećene baterijske pakete. Servis baterijskih paketa trebao bi obavljati samo proizvođač ili ovlašteni servisni tehničari.

Upute za sigurnost pri korištenju bežičnih bušilica.

- Koristite pomoćnu ručku(e), ako su isporučene s alatom. Gubitak kontrole može uzrokovati ozljede.
- Držite električni alat za izolirane površine za držanje, prilikom obavljanja operacije gdje pribor za rezanje/spajanje može doći u kontakt s skrivenom žicom. Pribor za rezanje/spajanje koji dolazi u kontakt s "živom" žicom može učiniti izložene metalne dijelove električnog alata "živima" i mogao bi dati električni udar operatoru.
- Održavajte čvrsto stajalište u svakom trenutku. Pazite da nema nikoga ispod prilikom korištenja električnog alata na visokim mjestima.
- Držite ruke dalje od rotirajućih dijelova.
- Električni alat koristite samo kada ga čvrsto držite.
- Ne dodirujte svrdlo ili radni komad odmah nakon upotrebe jer mogu biti izuzetno vrući i mogu opeći kožu.
- Neke materijale sadrže kemikalije koje mogu biti otrovne. Pazite da spriječite udisanje prašine i kontakt kože. Slijedite sigurnosne podatke dobavljača materijala.
- Ako svrdlo ne može biti uklonjeno čak i ako su čeljusti otvorene, upotrijebite kliješta da ga izvučete. Ne uklanjajte svrdlo rukom kako biste spriječili ozljedu ruke zbog kontakta s oštrim rubom svrdla.
- Provjerite da nema kabela, vodovodnih cijevi, plinskih cijevi, itd. Dodir svrdla s skrivenim kablom i cijevima može rezultirati osobnom ozljedom.

Sigurnosne mjere opreza prilikom korištenja dugih svrdala

- Radna brzina ne smije biti veća od nazivne brzine svrdla.
- Uvijek započnite bušenje pri niskoj brzini i dovedite kraj svrdla u kontakt s radnim komadom.
- Pritisak primjenjujte samo na poziciji poravnatom sa svrdlom i ne primjenjujte pretjerani pritisak.

TEHNIČKI PODACI

Model	BBP5330
Napon	20 V (Li-ion)
Broj okretaja u praznom hodu	0-300 / 0-1200 o/min
Maks. okretni moment	130 Nm
Stezna glava za svrdlo	16 mm, M14 adapter
Ostale značajke	<ul style="list-style-type: none"> • Bezčestkasti motor • Pokazivač snage • LED svjetlo

* Proizvođač zadržava pravo na manje promjene u dizajnu proizvoda i tehničkim specifikacijama bez prethodne obavijesti, osim ako te promjene značajno ne utječu na performanse i sigurnost proizvoda. Dijelovi opisani / ilustrirani na stranicama priručnika koji držite u rukama također se mogu odnositi na druge modele proizvodne linije proizvođača sličnih značajki i možda nisu uključeni u proizvod koji ste upravo nabavili.

* Kako bi se osigurala sigurnost i pouzdanost proizvoda te valjanost jamstva, svi popravci, inspekcije ili zamjenski radovi, uključujući održavanje i posebne prilagodbe, moraju se obavljati samo od strane tehničara ovlaštenog servisnog odjela proizvođača.

* Uvijek koristite proizvod s isporučenom opremom. Rad proizvoda s opremom koja nije priložena može uzrokovati kvarove ili čak ozbiljne ozljede ili smrt. Proizvođač i uvoznik neće biti odgovorni za ozljede i štete koje proizlaze iz upotrebe neusklađene opreme.

UPUTE ZA RAD

Punjenje baterije

- Prije upotrebe potpuno napunite bateriju.
1. Stavite punjač na stabilno mjesto i priključite ga u utičnicu.
 2. Umetnite bateriju. Indikatorsko svjetlo na punjaču će treptati crveno kako bi pokazalo da je punjenje u tijeku.
 3. Kada se zeleno svjetlo na punjaču upali, baterija je završila s punjenjem.

Pažnja:

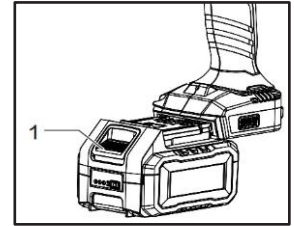
- Normalno je da su punjač i baterija blago zagrijani tijekom punjenja.
- Ako se baterija ne koristi dugo vremena, mora se ponovno napuniti jednom svakih šest mjeseci kako bi se produžio njezin vijek trajanja.
- Ne koristite oštećenu bateriju i ne rastavljajte punjač i bateriju.
- Ne bacajte bateriju u vatru, jer će eksplodirati.

- Ne punite bateriju na otvorenom i na vlažnim područjima.
- Prije punjenja baterije, odspojite je od alata.
- Ne čuvajte bateriju na vlažnim područjima.

Postavljanje ili uklanjanje baterije (Slika 1)

Pažnja: Prije podešavanja ili provjere funkcije alata, obavezno isključite alat i izvadite bateriju.

- Kako biste uklonili bateriju, pritisnite gumb (1) na prednjoj strani baterije i istovremeno je izvucite iz alata.
- Za postavljanje baterije, poravnajte je s utorom na alatu i zatim je kliznite dok se ne zaključa na mjestu.



Slika 1

Prekidač za uključivanje/isključivanje

- Kako biste koristili alat, povucite prekidač za uključivanje/isključivanje.
- Brzina rotacije svrdla se povećava ili smanjuje ovisno o pritisku koji se vrši na prekidač.
- Pustite prekidač kako biste zaustavili alat.

Prekidač za odabir brzine

- Prije podešavanja brzine alata, prvo isključite alat.
- Pomičite prekidač za odabir brzine na "2" stranu za visoku brzinu ili na "1" stranu za nisku brzinu.
- Pazite da je prekidač za odabir brzine postavljen na ispravnu poziciju prije operacije.

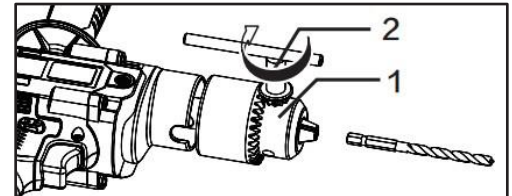
Prekidač za smjer rotacije

Pažnja:

- Uvijek provjerite smjer rotacije prije operacije.
- Prekidač za smjer rotacije koristite tek nakon što se alat potpuno zaustavi. Promjena smjera rotacije prije nego što se alat zaustavi može oštetiti alat.

Postavljanje svrdla (Slika 2)

1. Stavite svrdlo u steznu glavu (1) i gurnite ga što je moguće dublje.
2. Zategnite steznu glavu rukom.
3. Stavite ključ za steznu glavu (2) u tri rupe i zategnite ga u smjeru kazaljke na satu. Pazite da ravnomjerno zategnete tri rupe stezne glave.



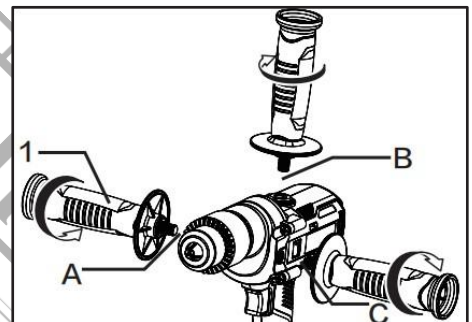
Slika 2

Uklanjanje svrdla (Slika 2)

1. Umetnite ključ za steznu glavu (2) u rupu.
2. Okrenite ga u smjeru kazaljke na satu, a zatim rukom otpustite steznu glavu (1).

Postavljanje pomoćne ručke (Slika 3)

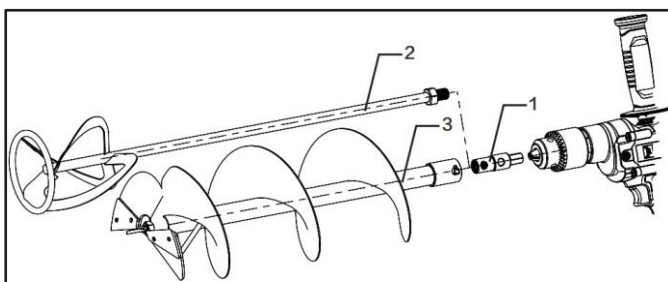
- Obavezno koristite pomoćnu ručku (1) kako biste osigurali sigurnu operaciju.
- Električni alat je opremljen s 3 pozicije za postavljanje pomoćne ručke (A, B, C).
- Postavite pomoćnu ručku i okrenite je u smjeru kazaljke na satu.
- Dodatke možete odabrati prema potrebama rada.



Slika 3

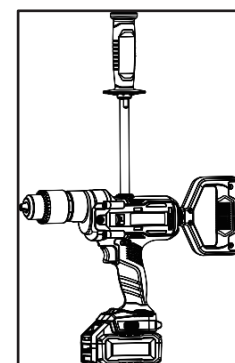
Korištenje drugih dodataka (Slika 4)

- Nakon stezanja priključka (1), stezna glava može koristiti mješalicu (2), bušilicu za led (3), bušilicu i drugi pribor za izvođenje odgovarajućih radova.

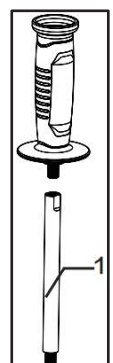


Slika 4

Produžena pomoćna ručka (Slika 5-6, stavka 1)



Slika 5



Slika 6

ODRŽAVANJE

Pazite: Prije obavljanja bilo kakvog održavanja ili podešavanja alata za napajanje, kao i prije mijenjanja pribora, obavezno isključite utikač.

- Električni alat ne zahtijeva podmazivanje.
- Ne koristite vodu ili kemijska sredstva za čišćenje električnog alata. Samo ga obrišite suhom krpom.
- Pohranite jedinicu na suho mjesto.
- Održavajte čiste otvore motora.
- Izbjegavajte korištenje električnog alata na prašnjavim područjima.

Savjeti za održavanje maksimalnog vijeka trajanja baterije

- Napunite bateriju prije potpunog pražnjenja. Uvijek zaustavite rad alata i napunite bateriju kada primijetite manju snagu alata.
- Nikada ne puniti potpuno napunjenu bateriju. Pretjerano punjenje skraćuje vijek trajanja baterije.
- Puniti bateriju na sobnoj temperaturi od 10 °C - 40 °C. Pustite da se vruća baterija ohladi prije punjenja.
- Napunite bateriju ako nije korištena dugo vremena (više od šest mjeseci).

OKOLIŠNO ODLAGANJE

Da bi se izbjegle štete prilikom transporta, alat mora biti dostavljen u čvrstoj ambalaži. Ambalaža, kao i jedinica i pribor, izrađeni su od reciklirajućih materijala i mogu se odlagati prema potrebi. Plastične komponente alata označene su prema njihovom materijalu, što omogućuje ekološko uklanjanje i razlikovanje zbog dostupnih postrojenja za prikupljanje.



Samo za zemlje EU

Ne odbacujte električne alate zajedno s kućnim otpadom!

U skladu s Europskom direktivom 2002/96/EC o otpadnoj električnoj i elektroničkoj opremi i njezinom provedbom sukladno nacionalnom zakonodavstvu, električni alati koji su dosegli kraj svog životnog vijeka moraju se zasebno prikupljati i vratiti u postrojenje za recikliranje koje je ekološki prihvatljivo.



ΕΓΓΥΗΣΗ

EL

Τα ηλεκτρικά εργαλεία έχουν κατασκευαστεί με αυστηρά πρότυπα που έχει θέσει η εταιρεία και συνάδουν με τα ευρωπαϊκά πρότυπα ποιότητας. Για τα ηλεκτρικά εργαλεία της εταιρείας μας παρέχεται περίοδος εγγύησης 24 μηνών για ερασιτεχνική χρήση, 12 μηνών για επαγγελματική χρήση και 12 μηνών για τις μπαταρίες και τους φορτιστές. Η ισχύς της εγγύησης ξεκινά από την ημερομηνία αγοράς του προϊόντος. Αποδεικτικό του δικαιώματος της εγγύησης αποτελεί το παραστατικό αγοράς του εργαλείου (απόδειξη λιανικής ή τιμολόγιο). Σε καμιά περίπτωση η εταιρεία δεν καλύπτει τη σχετική δαπάνη ανταλλακτικών και εργασιών εάν και εφόσον δε συνοδεύεται από αντίγραφο του παραστατικού αγοράς. Σε περίπτωση που η επισκευή πρέπει να γίνει στο service μας η δαπάνη μεταφοράς (από και προς) βαρύνει εξ' ολοκλήρου τον αποστολέα. Τα εργαλεία αποστέλλονται για την επισκευή τους στην εταιρεία ή σε εξουσιοδοτημένο συνεργείο με τον ενδεδειγμένο τρόπο και μέσο μεταφοράς.

ΕΞΑΙΡΕΣΕΙΣ ΚΑΙ ΠΕΡΙΟΡΙΣΜΟΙ ΤΗΣ ΕΓΓΥΗΣΗΣ:

- 1) Ανταλλακτικά που φθείρονται φυσιολογικά από τη χρήση τους (καρβουνάκια, καλώδια, διακόπτες, φορτιστές, τσοκ κ.λπ).
- 2) Εργαλεία που έχουν υποστεί ζημίες από τη μη συμμόρφωση με τις οδηγίες του κατασκευαστή.
- 3) Εργαλεία με ελλιπή συντήρηση.
- 4) Χρήση μη ενδεδειγμένων λιπαντικών ή εξαρτημάτων.
- 5) Εργαλεία που έχουν δοθεί χωρίς επιβάρυνση.
- 6) Βλάβη που οφείλεται σε ηλεκτρική σύνδεση σε τάση διαφορετική από την αναγραφόμενη στην πινακίδα συσκευής.
- 7) Σύνδεση σε μη γειωμένο ρευματοδότη.
- 8) Μεταβολή της τάσης του ρεύματος.
- 9) Βλάβη που προκύπτει από τη χρήση αλμυρού νερού (π.χ πλαστικά, αντλίες).
- 10) Βλάβη ή κακή λειτουργία που έχει προκύψει από πλημμελή καθαρισμό του εργαλείου.
- 11) Επαφή του εργαλείου με χημικά, ή βλάβη από υγρασία, διάβρωση.
- 12) Εργαλεία που έχουν υποστεί τροποποιήσεις – αλλαγές ή έχουν ανοιχτεί από μη εξουσιοδοτημένο συνεργείο.
- 13) Σπασμένα μέρη/εξαρτήματα εξαιτίας μη ορθής χρήσης.
- 14) Εργαλεία που χρησιμοποιούνται για ενοικίαση.

Η εγγύηση καλύπτει αποκλειστικά τη δωρεάν αντικατάσταση του εξαρτήματος που έχει κατασκευαστικό ελάττωμα ή αστοχία υλικού. Σε περίπτωση έλλειψης ανταλλακτικού η εταιρεία διατηρεί το δικαίωμα αντικατάστασης του εργαλείου με άλλο αντίστοιχο μοντέλο. Μετά τη διεκπεραίωση εγγύησης δεν επιμηκύνεται ούτε ανανεώνεται ο χρόνος εγγύησης του εργαλείου. Αντικατάσταση ανταλλακτικού με χρέωση επισκευής, καλύπτεται από 1 χρόνο εγγύησης καλής λειτουργίας, με προϋπόθεση την τήρηση των όρων εγγύησης. Τα ανταλλακτικά ή τα εργαλεία τα οποία αντικαθίστανται παραμένουν στην κατοχή της εταιρείας μας. Άλλες απαιτήσεις, εκτός από αυτές που αναφέρονται σε αυτό το έντυπο εγγύησης επισκευής ή βλαβών ηλεκτρικών εργαλείων, δεν ισχύουν. Για την εγγύηση αυτή ισχύει το ελληνικό δίκαιο.

WARRANTY

EN

The power tools have been manufactured according to strict standards, set by our company, which are aligned with the respective European quality standards. The power tools of our company are provided with a warranty period of 24 months for non-professional use, 12 months for professional use and 12 months for chargers and batteries. The warranty is valid from the date of purchase of the product. Proof of the warranty right is the purchase document of the tool (retail receipt or invoice). Under no circumstances shall the company cover the relevant cost of spare parts and respective required working hours unless a copy of the purchase document is presented. In case the repair has to be done by our service department the cost of transportation (to and from) is entirely borne by the sender (client). The tools must be sent for repair to the company or to an authorized workshop in the appropriate way and means of transport.

WARRANTY EXEMPTIONS AND RESTRICTIONS:

- 1) Spare parts that wear out naturally as a consequence of being used (brushes, cables, switches, chargers, chucks etc.).
- 2) Tools damaged as a result of non-compliance with the instructions of the manufacturer.
- 3) Tools poorly maintained.
- 4) Use of improper lubricants or accessories.
- 5) Tools given to third entities free of charge.
- 6) Damage due to an electrical connection at a voltage other than that indicated on the appliance plate.
- 7) Connection to a non-earthed power supply.
- 8) Change in current voltage.
- 9) Damage resulting from the use of salty water (e.g., washing machines, pumps).
- 10) Damage or malfunction resulting from improper cleaning procedure of the tool.
- 11) Contact of the tool with chemicals, or damage as a result of moisture or corrosion.
- 12) Tools that have been modified or opened by unauthorised personnel.
- 13) Broken parts/components as a result of inappropriate use.
- 14) Tools used for rent.

The warranty covers only the free of charge replacement of the component that presents a manufacturing defect or material failure. In case of lack of a specific spare part the company reserves the right to replace the tool with another corresponding model. After all warranty procedures have been concluded, the warranty period of the tool shall not be extended or renewed. Replacement of a spare part with repair charge is covered by a 1 year warranty of good operation, subject to compliance with the warranty terms. The spare parts or tools that are replaced remain in the possession of our company. Requirements, other than those mentioned in this warranty form, regarding power tools repair or damage thereof, do not apply. Greek law and relative regulations apply to this warranty.

GARANTIE

FR

Les outils électriques sont fabriqués selon des normes strictes, établies par notre société et se sont alignées sur les normes de qualité européennes respectives. Les outils électriques de notre société sont bénéficiés d'une garantie de 24 mois pour une utilisation non professionnelle, 12 mois pour une utilisation professionnelle et de 12 mois pour les batteries et les chargeurs. La garantie est valable à partir de la date d'achat du produit. La preuve du droit à la garantie est le document d'achat de l'outil (ticket de caisse ou facture). En aucun cas, l'entreprise ne couvrira le coût des pièces de rechange et des heures de travail nécessaires si une copie du document d'achat n'est pas présentée. Si la réparation doit être effectuée par notre service après-vente, les frais de transport (aller-retour) sont entièrement à la charge de l'expéditeur (client). Les outils doivent être envoyés pour réparation à l'entreprise ou à un atelier agréé de la manière et avec le moyen de transport appropriée.

EXEMPTIONS ET RESTRICTIONS DE GARANTIE:

- 1) Les pièces de rechange qui s'usent naturellement suite à leur utilisation (balaise, câbles, interrupteurs, chargeurs, mandrins etc.).
- 2) Les outils endommagés à la suite du non-respect des instructions du fabricant.
- 3) Outils mal entretenus.
- 4) Utilisation de lubrifiants ou d'accessoires inappropriés.
- 5) Outils donnés à des tiers à titre gratuit.
- 6) Dommages dus à un mauvais branchement électrique ou à une tension différente de celle indiquée sur la plaque de l'appareil.
- 7) Connexion à une alimentation électrique non reliée à la terre.
- 8) Fluctuation de la tension inacceptable.
- 9) Dommages résultant de l'utilisation d'eau salée (par exemple, machines à laver, pompes).
- 10) Dommages ou dysfonctionnement résultant d'une procédure de nettoyage inadéquate de l'appareil.
- 11) Contact de l'outil avec des produits chimiques, ou dommages résultant de l'humidité ou de la corrosion.
- 12) Les outils qui ont été modifiés ou ouverts par du personnel non autorisé.
- 13) Pièces/composants cassés à la suite d'une utilisation inappropriée.
- 14) Les outils utilisés à location.

La garantie couvre uniquement le remplacement gratuit du composant qui présente un défaut de fabrication ou une défaillance matérielle. En cas d'absence d'une pièce de rechange spécifique, l'entreprise se réserve le droit de remplacer l'outil par un autre modèle correspondant. Après la conclusion de toutes les procédures de garantie, la période de garantie de l'outil ne sera pas prolongée ou renouvelée. Le remplacement d'une pièce de rechange, ainsi que les frais de réparation, sont couverts par une garantie de bon fonctionnement d'un an, sous réserve du respect des conditions de garantie. Les pièces de rechange ou les outils remplacés restent en possession de notre société. Les exigences, autres que celles mentionnées dans ce formulaire de garantie, concernant la réparation des outils électriques ou leur endommagement, ne sont pas applicables. La loi grecque et ses règlements s'appliquent à cette garantie.

GARANZIA

IT

Gli elettrodomestici sono stati fabbricati secondo gli standard rigorosi, stabiliti dalla nostra azienda, che sono allineati con i rispettivi standard di qualità europei. Gli elettrodomestici della nostra azienda sono forniti con un periodo di garanzia di 24 mesi per uso non professionale, 12 mesi per uso professionale e 12 mesi per le batterie e i caricabatterie. La garanzia è valida dalla data di acquisto del prodotto. La prova del diritto di garanzia è il documento di acquisto dell'utensile (scontrino o fattura). In nessun caso l'azienda coprirà il relativo costo dei pezzi di ricambio e delle rispettive ore di lavoro necessarie se non viene presentata una copia del documento di acquisto. Nel caso in cui la riparazione debba essere effettuata dal nostro servizio di assistenza, il costo del trasporto (da e per) è interamente a carico del mittente (cliente). Gli utensili devono essere inviati per la riparazione all'azienda o ad un'officina autorizzata nel modo e nel mezzo di trasporto appropriato.

ECCEZIONI E LIMITAZIONI ALLA GARANZIA:

- 1) Pezzi di ricambio che si deteriorano naturalmente con l'uso (pezzi di consumo).
- 2) Utensili danneggiati dal mancato rispetto delle istruzioni del produttore.
- 3) Strumenti con manutenzione insufficiente.
- 4) Uso di lubrificanti o parti inappropriate.
- 5) Strumenti dati gratuitamente.
- 6) Guasto dovuto a un collegamento dell'aria compressa a una pressione diversa da quella indicata sulla targhetta dei dati tecnici.
- 7) Danni derivanti dall'uso di aria compressa impura e non filtrata.
- 8) Danni o malfunzionamenti derivanti da una pulizia inadeguata dell'utensile.
- 9) Contatto dell'utensile con prodotti chimici, o danni da umidità, corrosione.
- 10) Strumenti che hanno subito modifiche - cambiamenti o sono stati aperti da un'officina non autorizzata.
- 11) Strumenti utilizzati per il noleggio.
- 12) Strumenti che sono stati modificati o aperti da personale non autorizzato.
- 13) Rottura di parti/componenti a causa di un uso improprio.
- 14) Strumenti utilizzati per il noleggio.

La garanzia copre solo la sostituzione gratuita del componente che presenta un difetto di fabbricazione o di materiale. In caso di mancanza di un pezzo di ricambio specifico, l'azienda si riserva il diritto di sostituire l'utensile con un altro modello corrispondente. Una volta concluse tutte le procedure di garanzia, il periodo di garanzia dell'utensile non potrà essere esteso o rinnovato. La sostituzione di un pezzo di ricambio, insieme al costo della riparazione, è coperta da una garanzia di buon funzionamento di 1 anno, a condizione che vengano rispettati i termini della garanzia. I pezzi di ricambio o gli utensili che vengono sostituiti rimangono in possesso della nostra azienda. I requisiti, diversi da quelli menzionati in questo modulo di garanzia, riguardanti la riparazione di utensili elettrici o il loro danneggiamento, non si applicano. La legge greca e i relativi regolamenti si applicano a questa garanzia.

GARANCIA

AL

Mjetet e energjisë janë prodhuar sipas standardeve strikte, të vendosura nga kompania jonë, të cilat janë në përputhje me standardet respektive evropiane të cilësisë. Mjetet e energjisë të kompanisë sonë janë siguruar me një periudhë garancie prej 24 muaj për përdorim jo profesional, 12 muaj për përdorim profesional dhe 12 muaj për bateritë dhe karikuesit. Garancia është e vlefshme nga data e blerjes së produktit. Prova e së drejtës së garancisë është dokumenti i blerjes së mjetit (faturë ose faturë me pakicë). Në asnjë rrethanë ndërmarrja nuk mbulon koston përkatëse të pjesëve të këmbimit dhe orarin përkatës të kërkur të punës, përveç kur është paraqitur një kopje e dokumentit të blerjes. Në rast se riparimi duhet të bëhet nga departamenti ynë i shërbimit kostoja e transportit (për dhe nga) është tërësisht e mbajtur nga dërguesi (klienti). Mjetet duhet të dërgohen për riparim në ndërmarrje ose në një punishte të autorizuar në mënyrën dhe mjetet e duhura të transportit.

PËRJASHTIMET DHE KUFIZIMET E GARANCISË:

- 1) Pjesët rezervë që përdoren në mënyrë natyrale si pasojë e përdorur (furçat, kabllo, ndërruesit, karikuesit, mbytjet etj.).
- 2) Veglat e dëmtuara si rezultat i mosrespektimit të udhëzimeve të prodhuesit.
- 3) Mjetet e mbajtura keq.
- 4) Përdorimi i lubrifikantëve ose aksesorëve të papërshtatshëm.
- 5) Mjetet që u jepen enteve të treta pa pagesë.
- 6) Dëmtimi për shkak të një lidhje elektrike në një tension tjetër nga ai i treguar në plakën e pajisjes.
- 7) Lidhja me furnizimin me energji jo tokësore.
- 8) Ndryshimi i tensionit aktual.
- 9) Dëmtimi që vijnë si pasojë e përdorimit të ujit të kripur (p.sh., lavatrice, pompa).
- 10) Dëmtimi ose mosfunksionimi që rezultojn nga procedura e papërshtatshme e pastrimit të mjetit.
- 11) Kontakti i mjetit me kimikate, ose dëmtimi si pasojë e lagështisë ose korrozionit.
- 12) Mjete që janë modifikuar ose hapur nga personel i paautorizuar.
- 13) Pjesë/përbërës të thyer si rezultat i përdorimit të papërshtatshëm.
- 14) Veglat e përdorura për qira.

Garancia mbulon vetëm zëvendësimin pa pagesë të komponentit që paraqet një defekt prodhues ose dështim material. Në rast të mungesës së një pjesë rezervë specifike kompania rezervuar të drejtën për të zëvendësuar mjetin me një model tjetër përkatës. Pasi të jenë përfunduar të gjitha procedurat e garancisë, periudha e garancisë së mjetit nuk do të zgjatet ose të rinovohet. Zëvendësimi i një pjesë rezervë, së bashku me ngarkesën e riparimit, mbulohet nga një garanci vepri me mirë 1 vit, subjekt i përputhjes me kushtet e garancisë. Pjesët e këmbimit ose mjetet që zëvendësohen mbeten në zotërim të kompanisë sonë. Kërkesat, përveç atyre të përmendura në këtë formë garancie, në lidhje me riparimin ose dëmtimin e mjeteve të energjisë elektrike, nuk zbatohen. Ligji grek dhe rregullat relative zbatohen për këtë garancia.

GARANCIA

SLO

Električna orodja so bila izdelana v skladu s strogimi standardi našega podjetja, ki so usklajeni z ustreznimi evropskimi standardi kakovosti. Električna orodja našega podjetja imajo 24-mesečno garancijsko dobo za neprofesionalno uporabo, 12-mesečno za profesionalno uporabo ter 12-mesečno za polnilnice in baterije. Garancija velja od datuma nakupa izdelka. Dokazilo o pravici do garancije je dokument o nakupu orodja (maloprodajni račun ali račun). Podjetje v nobenem primeru ne krije ustreznih stroškov nadomestnih delov in ustreznih zahtevanih delovnih ur, če ni predložena kopija nakupnega dokumenta. Če mora popravilo opraviti naš servisni oddelek, stroške prevoza (do in nazaj) v celoti krije pošiljatelj (stranka). Orodje je treba poslati v popravilo podjetju ali pooblaščenim delavnicam na ustrezen način in z ustreznimi prevoznimi sredstvi.

GARANCIJSKE IZJEME IN OMEJITVE:

- 1) Rezervni deli, ki se naravno obrabijo zaradi uporabe (ščetke, kablji, stikala, polnilni, vpenjalni glave itd.).
- 2) Orodja, ki so se poškodovala zaradi neupoštevanja navodil proizvajalca.
- 3) Orodja, ki so slabo vzdrževana.
- 4) Uporaba neustreznih maziv ali pripomočkov.
- 5) Orodja, ki so bila brezplačno dana tretjim osebam.
- 6) Poškodbe zaradi električnega priključka pri napetosti, ki ni navedena na ploščici naprave.
- 7) Priključitev na neozemljeno električno omrežje.
- 8) Sprememba trenutne napetosti.
- 9) Poškodbe zaradi uporabe slane vode (npr. pralni stroji, črpalke).
- 10) Poškodba ali okvara, ki je posledica nepravilnega postopka čiščenja orodja.
- 11) Stik orodja s kemikalijami ali poškodbe zaradi vlage ali korozije.
- 12) Orodje, ki ga je spremenilo ali odprlo nepooblaščen osebe.
- 13) Pokvarjeni deli/komponente zaradi neustrezne uporabe.
- 14) Orodja, ki se uporabljajo za najem.

Garancija zajema le brezplačno zamenjavo sestavnega dela, pri katerem se pokaže proizvodna napaka ali okvara materiala. V primeru pomanjkanja določenega rezervnega dela si podjetje pridržuje pravico, da orodje zamenja z drugim ustreznim modelom. Po zaključku vseh garancijskih postopkov se garancijski rok orodja ne podaljša ali obnovi. Za zamenjavo nadomestnega dela z nadomestilom za popravilo velja enoletna garancija za dobro delovanje, če so izpolnjeni garancijski pogoji. Zamenjani nadomestni deli ali orodje ostanejo v lasti našega podjetja. Zahteve, ki niso navedene v tem garancijskem obrazcu, v zvezi s popravilom električnih orodij ali njihovih poškodb, ne veljajo. Za to garancijo velja grška zakonodaja in sorodni predpisi.

GARANCIJE

SR

Električni alati su proizvedeni prema strogim standardima koje je postavila naša kompanija a koji su usklađeni sa odgovarajućim evropskim standardima kvaliteta. Električni alati naše kompanije imaju garantni rok od 24 meseca za neprofesionalnu upotrebu, 12 meseci za profesionalnu upotrebu i 12 meseci za baterije i punjače. Garancija važi od dana kupovine proizvoda. Dokaz za pravo na garanciju je dokument o kupovini električnog alata (maloprodajni račun ili faktura). Ni pod kojim okolnostima kompanija neće pokriti relevantne troškove rezervnih delova i potrebno odgovarajuće radno vreme ako se ne predoči kopija dokumenta o kupovini. U slučaju da popravku treba da uradi naš servis, troškove transporta (do i od) u potpunosti snosi pošiljalac (klijent). Električni alati za popravku se šalju u firmu gde su kupljeni ili u ovlašćeni servis i to tako da budu prikladno upakovani za transport.

IZUZEĆA I OGRANIČENJA GARANCIJE:

- 1) Rezervni delovi koji se prirodno troše kao posledica korišćenja (četkice, kablovi, prekidači, punjači, stezne glave itd).
- 2) Alati oštećeni kao posledica nepoštovanja uputstva proizvođača.
- 3) Alati su loše održavani.
- 4) Upotreba neodgovarajućih maziva ili pribora.
- 5) Alati su dati trećim licima besplatno.
- 6) Oštećenje usled električnog priključka na napon koji nije naznačen na pločici uređaja.
- 7) Povezivanje na neuzemljeno napajanje.
- 8) Promena napona struje.
- 9) Oštećenja nastala upotrebom slane vode (npr. mašine za pranje veša, pumpe).
- 10) Oštećenje ili kvar nastao kao posledica nepravilne procedure čišćenja alata.
- 11) Kontakt alata sa hemikalijama ili oštećenje usled vlage ili korozije.
- 12) Alati koje je modifikovalo ili otvorilo neovlašćeno osoblje.
- 13) Polomljeni delovi/komponente kao rezultat neodgovarajuće upotrebe.
- 14) Alati koji se koriste za iznajmljivanje.

Garancija pokriva samo besplatnu zamenu komponente koja ima fabričku grešku ili materijalne nedostatke. U slučaju nedostatka rezervnog dela, kompanija zadržava pravo zamene električnog alata drugim odgovarajućim modelom. Nakon isteka garantnog roka, garantni rok električnog alata se ne produžava niti obnavlja. Rezervni delovi ili Električni alati koji su zamenjeni ostaju u posedu naše kompanije. Zamena rezervnog dela, zajedno sa naplatom popravke, pokrivena je garancijom za 1 godinu dobrog rada, koja podleže poštovanju uslova garancije. Zahtevi, osim onih navedenih u ovom obrascu garancije, u vezi sa popravkom električnog alata ili njegovim oštećenjem ne važe. Na ovu garanciju se primenjuju grčki zakoni i odgovarajući propisi.

ZÁRUKA

SK

Elektrické náradie bolo vyrobené podľa prísnych noriem stanovených našou spoločnosťou, ktoré sú v súlade s príslušnými európskymi normami kvality. Na elektrické náradie našej spoločnosti poskytujeme záruku 24 mesiacov na neprofesionálne použitie, 12 mesiacov na profesionálne použitie a 12 mesiacov na nabíjačky a batérie. Záruka platí od dátumu zakúpenia výrobku. Dokladom o nároku na záruku je doklad o kúpe náradia (maloobchodný doklad alebo faktúra). Spoločnosť v žiadnom prípade neuhradí príslušné náklady na náhradné diely a príslušné požadované pracovné hodiny, ak nie je predložená kópia dokladu o kúpe. V prípade, že opravu musí vykonať naše servisné oddelenie, náklady na dopravu (tam a späť) znáša v plnej miere odosielateľ (zákazník). Náradie musí byť zaslané na opravu do spoločnosti alebo do autorizovaného servisu vhodným spôsobom a dopravným prostriedkom.

VÝNIMKY A OBMEDZENIA TÝKAJÚCE SA ZÁRUKY:

- 1) Náhradné diely, ktoré sa prirodzene opotrebojú v dôsledku používania (kefky, káble, spínače, nabíjačky, skľučovadlá atď.).
- 2) Náradie poškodené v dôsledku nedodržania pokynov výrobcu.
- 3) Náradie nedostatočne udržiavané.
- 4) Používanie nevhodných mazív alebo príslušenstva.
- 5) Náradie poskytnuté tretím subjektom bezplatne.
- 6) Poškodenie v dôsledku elektrického pripojenia na iné napätie, ako je uvedené na štítku spotrebiča.
- 7) Pripojenie k neuzemnenému zdroju napájania.
- 8) Zmena aktuálneho napätia.
- 9) Poškodenie v dôsledku používania slanej vody (napr. práčky, čerpadlá).
- 10) Poškodenie alebo porucha vyplývajúca z nesprávneho postupu čistenia nástroja.
- 11) Kontakt nástroja s chemikáliami alebo poškodenie v dôsledku vlhkosti alebo korózie.
- 12) Nástroje, ktoré boli upravené alebo otvorené neoprávneným personálom.
- 13) Poškodené diely/komponenty v dôsledku nevhodného používania.
- 14) Náradie používané na prenájom.

Záruka sa vzťahuje len na bezplatnú výmenu súčiastky, ktorá vykazuje výrobnú vadu alebo poruchu materiálu. V prípade nedostatku konkrétneho náhradného dielu si spoločnosť vyhradzuje právo vymeniť náradie za iný zodpovedajúci model. Po ukončení všetkých záručných postupov sa záručná doba náradia nepredlžuje ani neobnovuje. Na výmenu náhradného dielu s poplatkom za opravu sa vzťahuje 1-ročná záruka na dobrú prevádzku pri dodržaní záručných podmienok. Vymenené náhradné diely alebo náradie zostávajú vo vlastníctve našej spoločnosti. Iné požiadavky, ako sú uvedené v tomto záručnom formulári, týkajúce sa opravy elektrického náradia alebo jeho poškodenia, sa neuplatňujú. Na túto záruku sa vzťahujú grécke zákony a príslušné predpisy.

ГАРАНЦИЯ

BG

Електроинструментите са произведени в съответствие със строги стандарти, установени от нашата компания, които са в съответствие със съответните европейски стандарти за качество. Електроинструментите на нашата компания се предоставят с гаранционен срок от 24 месеца за непрофесионална употреба, 12 месеца за професионална употреба и 12 месеца за зарядни устройства и батерии. Гаранцията е валидна от датата на закупуване на продукта. Доказателство за правото на гаранция е документът за закупуване на инструмента (касова бележка от магазин или фактура). В никакъв случай компанията не покрива съответните разходи за резервни части и съответните необходими работни часове, ако не бъде представено копие от документа за покупка. В случай че ремонтът трябва да бъде извършен от нашия сервизен отдел, разходите за транспорт (до и от) се поемат изцяло от изпращача (клиента). Инструментите трябва да бъдат изпратени за ремонт в компанията или в оторизиран сервиз по подходящ начин и с подходящо транспортно средство.

ОСВОБОЖДАВАНЕ ОТ ГАРАНЦИЯ И ОГРАНИЧЕНИЯ:

- 1) Резервни части, които се износват по естествен начин вследствие на използването им (четки, кабели, ключове, зарядни устройства, патронници и др.).
- 2) Инструменти, повредени в резултат на неспазване на инструкциите на производителя.
- 3) Инструменти, които са лошо поддържани.
- 4) Използване на неподходящи смазочни материали или принадлежности.
- 5) Инструменти, предоставени безплатно на трети лица.
- 6) Повреди вследствие на електрическа връзка с напрежение, различно от посоченото на табелката на уреда.
- 7) Свързване към незаземено електрозахранване.
- 8) Промяна на напрежението на тока.
- 9) Повреда в резултат на използването на солена вода (напр. перални машини, помпи).
- 10) Повреда или неизправност в резултат на неправилна процедура за почистване на инструмента.
- 11) Контакт на инструмента с химикали или повреда в резултат на влага или корозия.
- 12) Инструменти, които са били модифицирани или отворени от неупълномощен персонал.
- 13) Счупени части/компоненти в резултат на неподходяща употреба.
- 14) Инструменти, използвани под наем.

Гаранцията покрива само безплатната подмяна на компонента, който представя производствен дефект или повреда на материала. В случай на липса на конкретна резервна част компанията си запазва правото да замени инструмента с друг съответен модел. След приключване на всички гаранционни процедури гаранционният срок на инструмента не се удължава или подновява. Замяната на резервна част с такса за ремонт се покрива от 1-годишна гаранция за добра експлоатация, при спазване на гаранционните условия. Заменените резервни части или инструменти остават във владение на нашата компания. Изисквания, различни от посочените в този гаранционен формуляр, относно ремонта на електроинструменти или повредите по тях, не се прилагат. Гръцкото законодателство и съответните разпоредби се прилагат към тази гаранция.

GARANȚIE

RO

Uneltele electrice au fost fabricate în conformitate cu standarde stricte, stabilite de compania noastră, care sunt alinate la standardele de calitate europene respective. Uneltele electrice ale companiei noastre sunt prevăzute cu o perioadă de garanție de 24 de luni pentru uz neprofesional, 12 luni pentru uz profesional și 12 luni pentru încălțătoare și baterii. Garanția este valabilă de la data achiziționării produsului. Dovada dreptului de garanție este documentul de achiziție a sculei (bon de casă sau factură). În niciun caz societatea nu va acoperi costurile relevante ale pieselor de schimb și ale orelor de lucru necesare respective dacă nu este prezentată o copie a documentului de achiziție. În cazul în care reparația trebuie efectuată de către departamentul nostru de service, costul transportului (dus-întors) este suportat în întregime de către expeditor (client). Unelte trebuie trimise pentru reparații la companie sau la un atelier autorizat în mod și cu mijloace de transport adecvate.

SCUTIRI ȘI RESTRICȚII DE GARANȚIE:

- 1) Piese de schimb care se uzează în mod natural ca urmare a utilizării (perii, cabluri, întrerupătoare, încălțătoare, mandrine etc.).
- 2) Unelte deteriorate ca urmare a nerespectării instrucțiunilor producătorului.
- 3) Unelte prost întreținute.
- 4) Utilizarea de lubrifiant și/sau accesorii necorespunzătoare.
- 5) Unelte oferite gratuit unor terțe entități.
- 6) Deteriorări datorate unei conexiuni electrice la o altă sursă decât cea indicată pe plăcuța aparatului.
- 7) Conectarea la o sursă de alimentare electrică delegată la pământ.
- 8) Schimbarea tensiunii de curent.
- 9) Deteriorări rezultate din utilizarea apei sărate (de exemplu, mașini de spălat, pompe).
- 10) Deteriorări sau defecțiuni rezultate în urma unei proceduri de curățare necorespunzătoare a aparatului.
- 11) Contactul sculei cu substanțe chimice sau deteriorări ca urmare a umidității sau coruziunii.
- 12) Unelte care au fost modificate sau deschise de către personal neautorizat.
- 13) Piese/componente rupte ca urmare a unei utilizări necorespunzătoare.
- 14) Unelte utilizate pentru închiriere.

Garanția acoperă numai înlocuirea gratuită a componentei care prezintă un defect de fabricație sau o defecțiune materială. În cazul lipsei unei piese de schimb specifice, societatea își rezervă dreptul de a înlocui scula cu un alt model corespunzător. După încheierea tuturor procedurilor de garanție, perioada de garanție a sculei nu se prelungește sau se reinnoiește. Înlocuirea unei piese de schimb cu taxă de reparație este acoperită de o garanție de 1 an de bună funcționare, sub rezerva respectării condițiilor de garanție. Piese de schimb sau sculele înlocuite rămân în posesia societății noastre. Nu se aplică cerințe, altele decât cele menționate în acest formular de garanție, privind repararea sculelor electrice sau deteriorarea acestora. Legea greacă și reglementările aferente se aplică acestei garanții.

ГАРАНЦИЈА

MMK

Електрични алатки се произведени според строги стандарти, поставени од нашата компанија, кои се усогласени со соодветните европски стандарти за квалитет. Електрични алатки на нашата компанија се обезбедени со гаранција од 24 месеци за непрофесионална употреба, 12 месеци за професионална употреба и 12 месеци за полначи и батерии. Гаранцијата важи од датумот на купување на производот. Доказ за гаранциското право е документот за купување на алатката (малопродажна потврда или фактура). Под никакви околности компанијата нема да ги покрие соодветните трошоци за резервни делови и соодветно потребно работно време, освен ако не се претстави копија од документот за купување. Во случај поправката да мора да биде направена од нашиот сервизен оддел трошоците за превоз (до и од) е целосно задолжена од испраќачот (клиентот). Алатките мора да бидат испратени за поправка на компанијата или на овластена работилница на соодветен начин и транспортни средства.

ОСЛОБОДУВАЊА И ОГРАНИЧУВАЊА НА ГАРАНЦИЈАТА:

- 1) Резервни делови кои се носат природно како последица на користење (четки, кабли, прекинувачи, полначи, футери итн.).
- 2) Алатки оштетени како резултат на непочитување на инструкциите на производителот.
- 3) Алатките слабо се одржуваат.
- 4) Употреба на неправилно лубриканти или додатоци.
- 5) Алатки дадени на трети ентитети бесплатно.
- 6) Оштетување поради електрично поврзување на напон поинаку од оној што е наведен на плочата на апаратот.
- 7) Поврзување со неземеен напој.
- 8) Промена на напонот на струјата.
- 9) Оштетување како резултат на употребата на солена вода (на пример, машини за перење, пумпи).
- 10) Оштетување или нефункционирање како резултат на неправилно чистење на алатката.
- 11) Контакт на алатката со хемикали, или оштетување како резултат на влага или корозија.
- 12) Алатки кои биле модифицирани или отворени од страна на неовластениот персонал.
- 13) Скршени делови/компоненти како резултат на несоодветна употреба.
- 14) Алатки кои се користат за изнајмување.

Гаранцијата покрива само бесплатна замена на компонентата која претставува производствен дефект или материјален неуспех. Во случај на недостаток на одреден резервен дел, компанијата го задржува правото да ја замени алатката со друг соодветен модел. По завршувањето на сите процедури за гаранција, гарантниот период на алатката не се продолжува или обновува. Замената на резервниот дел со наплата за поправка е покриена со 1 година гаранција за добро работење, под услов да се усогласат условите за гаранција. Резервните делови или алатки кои се заменети остануваат во сопственост на нашата компанија. Барањата, освен оние споменати во оваа гаранција, во врска со поправката или оштетувањето на електрични алатки, не важат. Грчкото право и релативните регулативи важат за оваа гаранција.

GARANCIA

HUN

Az elektromos szerszámok gyártása a vállalatunk által meghatározott szigorú szabványok szerint történik, amelyek összhangban vannak a vonatkozó európai minőségi szabványokkal. Cégünk elektromos szerszámaira nem professzionális használat esetén 24 hónap, professzionális használat esetén 12 hónap, a töltőkre és akkumulátorokra pedig 12 hónap garanciát vállalunk. A garancia a termék megvásárlásának napjától érvényes. A jótállási jog igazolása a szerszám vásárlását igazoló dokumentum (kiskereskedelmi blokk vagy számla). A vállalat semmilyen körülmények között nem fedezi a pótalkatrészek és a megfelelő szükséges munkórák vonatkozó költségeit, ha nem mutatják be a vásárlási dokumentum másolatát. Amennyiben a javítást szervizünknek kell elvégeznie, a szállítás (oda- és visszaszállítás) költségei teljes egészében a feladót (ügyfelet) terhelik. A szerszámokat javításra a megfelelő módon és szállítóeszközzel kell elküldeni a vállalathoz vagy egy erre felhatalmazott műhelybe.

GARANCIÁLIS MENTESSÉGEK ÉS KORLÁTOZÁSOK:

- 1) A használat következtében természetes módon elhasználódó pótalkatrészek (kefék, kábelek, kapcsolók, töltők, tokmányok stb.).
- 2) A gyártó utasításainak be nem tartása következtében sérült szerszámok.
- 3) Rosszul karbantartott szerszámok.
- 4) Nem megfelelő kenőanyagok vagy tartozékok használata.
- 5) Harmadik személyeknek ingyenesen átadott szerszámok.
- 6) A készüléktáblán feltüntetettől eltérő feszültségű elektromos csatlakozásból eredő károk.
- 7) Nem földelt áramforráshoz való csatlakoztatás.
- 8) Az áram feszültségének megváltozása.
- 9) Sós víz használatából eredő károk (pl. mosógépek, szivattyúk).
- 10) A készülék nem megfelelő tisztítási eljárásából eredő károsodás vagy meghibásodás.
- 11) A szerszám vegyi anyagokkal való érintkezése, vagy nedvességből vagy korrózióból eredő károsodás.
- 12) Olyan szerszámok, amelyeket illetéktelen személyek módosítottak vagy nyitottak fel.
- 13) A nem rendeltetésszerű használat következtében eltört alkatrészek/komponensek.
- 14) Bérbeadásra használt szerszámok.

A garancia csak a gyártási hibát vagy anyaghibát mutató alkatrész ingyenes cseréjére terjed ki. Egy adott pótalkatrész hiánya esetén a vállalat fenntartja a jogot, hogy a szerszámot egy másik megfelelő modellre cserélje. Az összes garanciális eljárás lezárását követően a szerszám garanciális ideje nem hosszabbítható meg és nem újítható meg. A javítási díjjal terhelt pótalkatrész cseréjére 1 év jótállás vonatkozik, a jótállási feltételek betartása mellett. A kicserélt pótalkatrészek vagy szerszámok cégünk tulajdonában maradnak. Az elektromos szerszámok javítására vagy sérülésére vonatkozó, a jelen jótállási nyilatkozatban említettéltől eltérő követelmények nem érvényesek. A jelen jótállásra a görög törvények és a vonatkozó előírások vonatkoznak.

GARANZIJA

MLT

L-ghodod tal-enerġija ġew manifatturati skont standards stretti, stabbiliti mill-kumpanija tagħna, li huma allinjati mal-istandards ta' kwalità Ewropej rispettivi. L-ghodod tal-enerġija tal-kumpanija tagħna huma pprovduti b'perjodu ta' 24 xahar għal użu mhux professjonali, 12-il xahar għal użu professjonali u 12-il xahar għal ċarġers u batteriji. Il-garanzija hija valida mid-data tax-xiri tal-prodott. Prova tad-dritt tal-garanzija hija d-dokument tax-xiri tal-ghodda (irċevuta jew fattura bl-innut). Taht l-ebda ċirkostanza l-kumpanija m'għandha tkopri l-ispiża rilevanti tal-ispare parts u s-siġhat tax-xogħol rispettivi meħtieġa sakemm ma tiġix ipprezentata kopja tad-dokument tax-xiri. F'każ li t-tiswija trid issir mid-dipartiment tas-servizz tagħna, l-ispiża tat-trasport (lejn u minn) tiffallas kollha kemm hi mill-mittent (klijent). L-ghodda għandha tintbagħat għat-tiswija lill-kumpanija jew lil hanut tax-xogħol awtorizzat bil-mod u l-mezzi tat-trasport xierqa.

EŻENZIONIJET U RESTRIZZJONIJET TA' GARANZIJA:

- 1) Spare parts li jilbsu b'mod naturali bħala konsegwenza tal-użu (xkupilji, kejbils, swiċċijiet, ċarġers, cökkijiet eċċ.).
- 2) Ghodod bil-ħsara bħala riżultat ta' nuqqas ta' konformità mal-istruzzjonijiet tal-manifattur.
- 3) Ghodod miżmuma hażin.
- 4) Użu ta' lubrikanti jew aċċessorji mhux xierqa.
- 5) Ghodod mogħtija lil entitajiet terzi mingħajr ħlas.
- 6) Danni dovuti għal konnessjoni elettrika b'vultaġġ differenti minn dak indikat fuq il-panja tal-apparat.
- 7) Konnessjoni ma' provvista ta' enerġija mhux ertjata.
- 8) Bidla fil-vultaġġ kurrenti.
- 9) Ħsara li tirriżulta mill-użu ta' ilma melaħ (eż., magni tal-ħasil tal-hwejjeġ, pompi).
- 10) Ħsara jew ħsara li tirriżulta minn proċedura ta' tindif mhux xierqa tal-ghodda.
- 11) Kuntatt ta' l-ghodda ma' kimiċi, jew ħsara bħala riżultat ta' umdiċi jew korrużjoni.
- 12) Ghodod li ġew modifikati jew miftuħa minn persunal mhux awtorizzat.
- 13) Partijiet/komponenti miksura bħala riżultat ta' użu mhux xierqa.
- 14) Ghodod użati għall-kera.

Il-garanzija tkopri biss is-sostituzzjoni mingħajr ħlas tal-komponent li jipprezenta difett fil-manifattura jew ħsara materjali. F'każ ta' nuqqas ta' spare part speċifika, il-kumpanija tirriżerva d-dritt li tissostitwixxi l-ghodda b'modell korrispondenti ieħor. Wara li jkun ġew konklużi l-proċeduri kollha ta' garanzija, il-perjodu ta' garanzija tal-ghodda ma għandux jiġi estit jew imgedded. Is-sostituzzjoni ta' spare part bil-ħlas tat-tiswija hija koperta minn garanzija ta' sena ta' operazzjoni tajba, soġġett għall-konformità mat-termini tal-garanzija. L-ispare parts jew ghodod li jiġu sostitwiti jibqgħu fil-pussess tal-kumpanija tagħna. Rekwiżiti, minbarra dawk imsemmija f'din il-formola ta' garanzija, rigward it-tiswija ta' ghodod tal-enerġija jew ħsara tagħhom, ma japplikawx. Il-liġi Griega u r-regolamenti relattivi japplikaw għal din il-garanzija.

GARANTÍA

ES

Las herramientas eléctricas han sido fabricadas de acuerdo con estrictas normas, establecidas por nuestra empresa, que están alineadas con las respectivas normas de calidad europeas. Las herramientas eléctricas de nuestra empresa tienen un período de garantía de 24 meses para uso no profesional, 12 meses para uso profesional y 12 meses para cargadores y baterías. La garantía es válida a partir de la fecha de compra del producto. La prueba del derecho de garantía es el documento de compra de la herramienta (ticket de compra o factura). La empresa no se hará cargo en ningún caso del coste de las piezas de recambio y de las respectivas horas de trabajo necesarias si no se presenta una copia del documento de compra. En caso de que la reparación tenga que ser realizada por nuestro departamento de servicio, el coste del transporte (ida y vuelta) correrá íntegramente a cargo del remitente (cliente). Las herramientas deberán ser enviadas para su reparación a la empresa o a un taller autorizado en la forma y medio de transporte adecuados.

EXENCIONES Y RESTRICCIONES DE LA GARANTÍA:

- 1) Piezas de recambio que se desgasten de forma natural como consecuencia de su uso (escobillas, cables, interruptores, cargadores, mandriles, etc.).
- 2) Herramientas dañadas como consecuencia del incumplimiento de las instrucciones del fabricante.
- 3) Herramientas mal mantenidas.
- 4) Utilización de lubricantes o accesorios inadecuados.
- 5) Herramientas cedidas gratuitamente a terceros.
- 6) Daños debidos a una conexión eléctrica a una tensión distinta de la indicada en la placa del aparato.
- 7) Conexión a una fuente de alimentación no puesta a tierra.
- 8) Cambio de la tensión de corriente.
- 9) Daños debidos al uso de agua salada (por ejemplo, lavadoras, bombas).
- 10) Daños o mal funcionamiento resultantes de un procedimiento de limpieza inadecuado de la herramienta.
- 11) Contacto de la herramienta con productos químicos, o daños como consecuencia de la humedad o la corrosión.
- 12) Herramientas que hayan sido modificadas o abiertas por personal no autorizado.
- 13) Piezas/componentes rotos como consecuencia de un uso inadecuado.
- 14) Herramientas utilizadas en alquiler.

La garantía cubre únicamente la sustitución gratuita del componente que presente un defecto de fabricación o fallo de material. En caso de falta de un repuesto específico, la empresa se reserva el derecho de sustituir la herramienta por otro modelo correspondiente. Una vez concluidos todos los procedimientos de garantía, el período de garantía de la herramienta no se ampliará ni renovará. La sustitución de una pieza de recambio con cargo de reparación está cubierta por una garantía de 1 año de buen funcionamiento, siempre que se cumplan las condiciones de la garantía. Las piezas de recambio o herramientas sustituidas permanecen en posesión de nuestra empresa. No se aplican otros requisitos, distintos de los mencionados en este formulario de garantía, en relación con la reparación de herramientas eléctricas o sus daños. La ley griega y las normativas relativas se aplican a esta garantía.

GARANCIJE

HR

Električni alati proizvedeni su prema strogim standardima, koje je postavila naša tvrtka i usklađeni su s odgovarajućim europskim standardima kvalitete. Električni alati naše tvrtke dolaze s jamstvom od 24 mjeseca za neprofesionalnu upotrebu, 12 mjeseci za profesionalnu upotrebu i 12 mjeseci za baterije i punjače. Jamstvo vrijedi od dana kupnje proizvoda. Dokaz o jamstvenom pravu je dokument o nabavi alata (potvrda o prodaji ili faktura). Tvrtka ni pod kojim uvjetima neće pokriti troškove rezervnih dijelova i potrebnih radnih sati ako kopija dokumenta o nabavi nije predočena. Ako popravak treba obaviti naša postprodajna služba, troškovi prijevoza (povratno putovanje) u potpunosti su odgovornost pošiljatelja (kupca). Alati se moraju poslati na popravak tvrtki ili ovlaštenoj radionici na odgovarajući način i odgovarajućim prijevoznim sredstvima.

IZUZEĆA I OGRANIČENJA JAMSTVA:

- 1) Rezervni dijelovi koji se prirodno istroše nakon uporabe (metla, kabeli, prekidači, punjači, stezne glave itd.).
- 2) Alati oštećeni kao rezultat nepoštivanja uputa proizvođača.
- 3) Loše održavani alati.
- 4) Upotreba nepravilnih maziva ili pribora.
- 5) Alati koji se besplatno daju trećim stranama.
- 6) Oštećenja zbog nepravilnog električnog priključka ili napona različitog od onog navedenog na pločici uređaja.
- 7) Priključak na nezemaljsko napajanje.
- 8) Neprihvatljiva fluktuacija napona.
- 9) Oštećenja nastala uporabom slane vode (npr. perilice rublja, pumpe).
- 10) Oštećenja ili kvarovi koji su posljedica nepravilnog postupka čišćenja uređaja.
- 11) Kontakt alata s kemikalijama ili oštećenja nastala vlagom ili korozijom.
- 12) Alati koje je modificiralo ili otvorilo neovlašteno osoblje.
- 13) Slomljeni dijelovi/komponente kao rezultat neprikladne uporabe.
- 14) Alati koji se koriste za iznajmljivanje.

Jamstvo pokriva samo besplatnu zamjenu komponente koja ima proizvodni nedostatak ili kvar hardvera. U slučaju da nedostaje određeni rezervni dio, tvrtka zadržava pravo zamijeniti alat drugim odgovarajućim modelom. Nakon završetka svih jamstvenih postupaka, jamstveni rok alata neće se produžiti ili obnoviti. Zamjena rezervnog dijela, kao i troškovi popravka, pokriveni su jednogodišnjim jamstvom na dobro funkcioniranje, uz poštivanje jamstvenih uvjeta. Rezervni dijelovi ili zamijenjeni alati ostaju u posjedu naše tvrtke. Zahtjevi, osim onih navedenih u ovom jamstvenom obrascu, koji se odnose na popravak električnih alata ili njihovo oštećenje, ne primjenjuju se. Grčko pravo i njegovi propisi primjenjuju se na ovo jamstvo.

GWARANCJA

PL

Elektronarzędzia zostały wyprodukowane zgodnie z rygorystycznymi normami ustalonymi przez naszą firmę, które są zgodne z odpowiednimi europejskimi normami jakości. Elektronarzędzia naszej firmy są objęte 24-miesięcznym okresem gwarancyjnym w przypadku użytku profesjonalnego, 12-miesięcznym okresem gwarancyjnym w przypadku użytku profesjonalnego oraz 12-miesięcznym okresem gwarancyjnym w przypadku ładowarek i akumulatorów. Gwarancja jest ważna od daty zakupu produktu. Dowodem prawa do gwarancji jest dokument zakupu narzędzia (paragon lub faktura). W żadnym wypadku firma nie pokryje odpowiednich kosztów części zamiennych i wymaganych godzin pracy, jeśli nie zostanie przedstawiona kopia dokumentu zakupu. W przypadku, gdy naprawa musi zostać wykonana przez nasz dział serwisowy, koszt transportu (do i z) jest w całości ponoszony przez nadawcę (klienta). Narzędzia muszą zostać wysłane do naprawy do firmy lub autoryzowanego warsztatu w odpowiedni sposób i środkami transportu.

WYŁĄCZENIA I OGRANICZENIA GWARANCJI:

- 1) Części zamienne, które zużywają się w sposób naturalny w wyniku użytkowania (szczotki, kable, przełączniki, ładowarki, uchwyty itp.).
- 2) Narzędzia uszkodzone w wyniku nieprzestrzegania instrukcji producenta.
- 3) Narzędzia źle konserwowane.
- 4) Używanie niewłaściwych smarów lub akcesoriów.
- 5) Narzędzia przekazane nieodpłatnie osobom trzecim.
- 6) Uszkodzenia spowodowane podłączeniem elektrycznym o napięciu innym niż wskazane na tabliczce znamionowej urządzenia.
- 7) Podłączenie do niezziemionego źródła zasilania.
- 8) Zmiana napięcia prądu.
- 9) Uszkodzenia wynikające z używania słonej wody (np. pralki, pompy).
- 10) Uszkodzenia lub nieprawidłowe działanie wynikające z niewłaściwego czyszczenia urządzenia.
- 11) Kontakt narzędzia z chemikaliami lub uszkodzenie w wyniku wilgoci lub korozji.
- 12) Narzędzia, które zostały zmodyfikowane lub otwarte przez nieupoważniony personel.
- 13) Uszkodzone części/elementy w wyniku niewłaściwego użytkowania.
- 14) Narzędzia używane do wynajmu.

Gwarancja obejmuje wyłącznie bezpłatną wymianę komponentu, który wykazuje wadę produkcyjną lub awarię materiałową. W przypadku braku określonej części zamiennej firma zastrzega sobie prawo do wymiany narzędzia na inny odpowiedni model. Po zakończeniu wszystkich procedur gwarancyjnych okres gwarancji na narzędzie nie zostanie przedłużony ani odnowiony. Wymiana części zamiennej za opłatą za naprawę jest objęta roczną gwarancją dobrego działania, pod warunkiem przestrzegania warunków gwarancji. Wymienione części zamienne lub narzędzia pozostają w posiadaniu naszej firmy. Wymagania inne niż wymienione w niniejszym formularzu gwarancyjnym, dotyczące naprawy lub uszkodzenia elektronarzędzi, nie mają zastosowania. Do niniejszej gwarancji mają zastosowanie przepisy prawa greckiego i przepisy pokrewne.



The instructions manual is also available in digital format on our website
www.nikolaoutools.com. Find it by entering the product code in the Search "Q" field.

Μπορείτε να βρείτε τις οδηγίες χρήσης και σε ηλεκτρονική μορφή μέσω της ιστοσελίδας μας
www.nikolaoutools.com. Αναζητήστε τις με τον κωδικό προϊόντος στο πεδίο Αναζήτηση "Q".