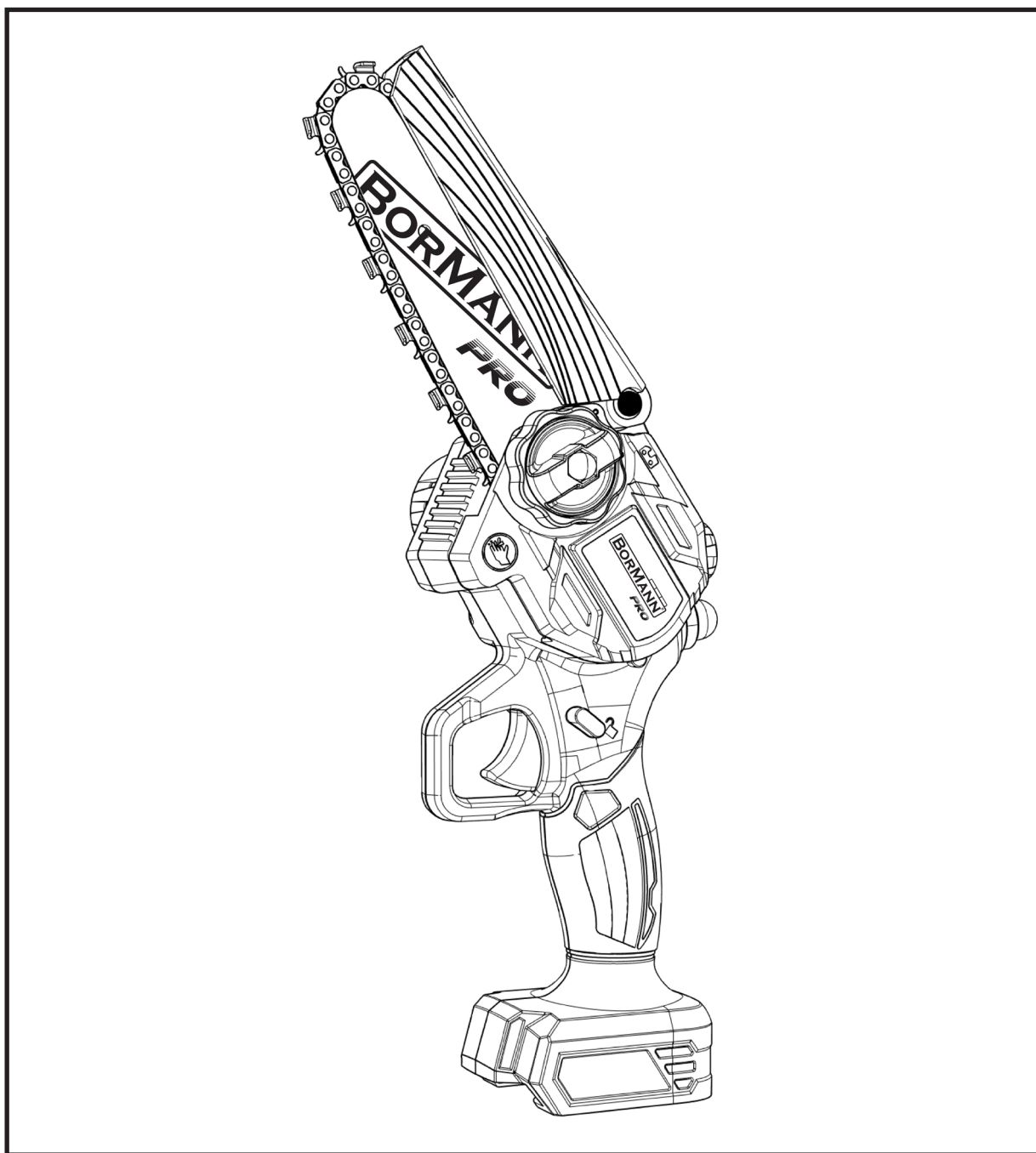


BORMANN *PRO*



BBP3917C
083559

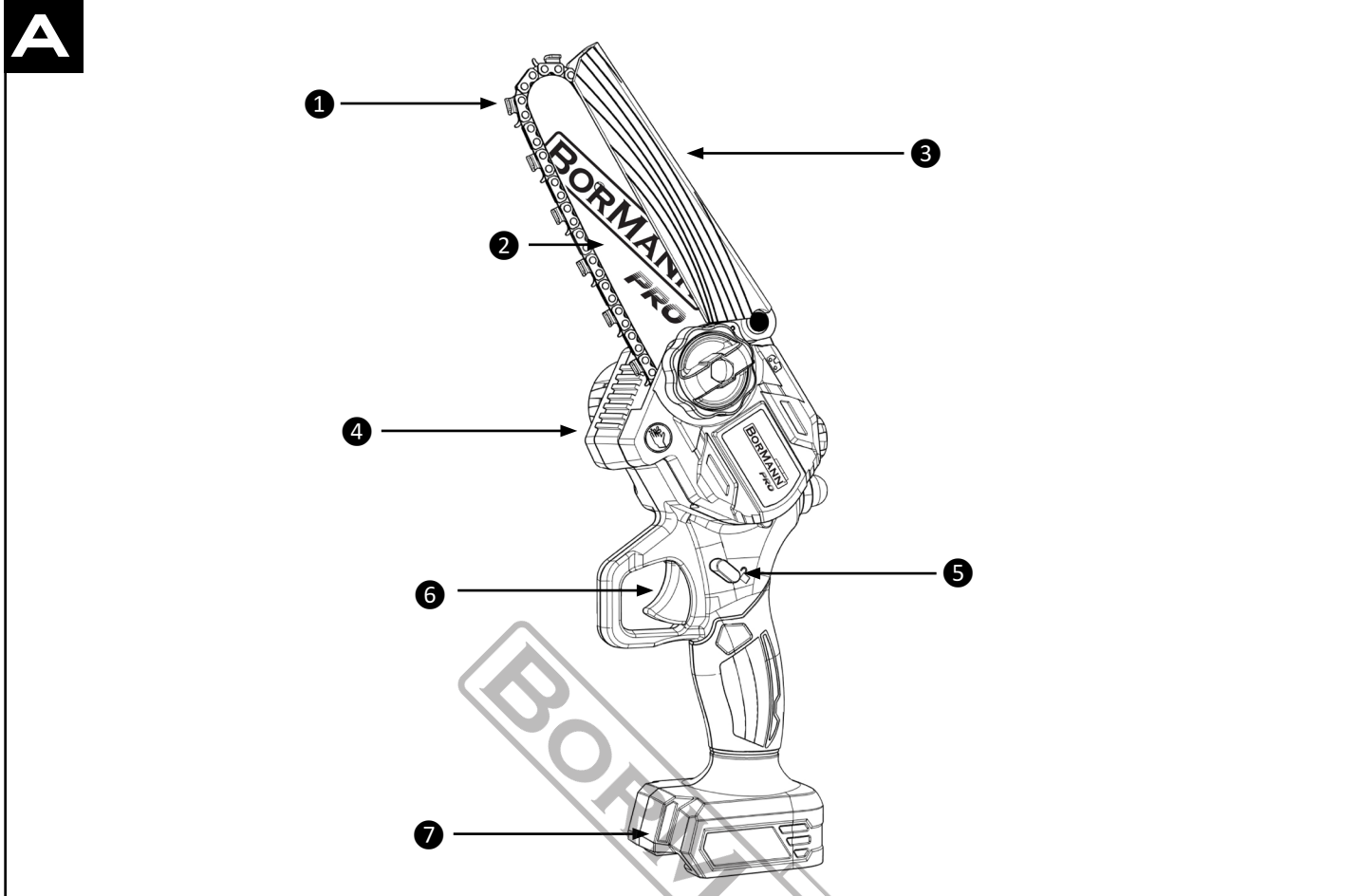
EN IT
EL BG
RO HR
HU



WWW.NIKOLAOOUTOOLS.COM

SCAN ME





EN

- 1.Chain
- 2.Guide bar
- 3.Protective cover
- 4.Plastic cap (on the back side)
- 5.Safety switch
- 6.Speed switch
- 7.Battery placement point

IT

- 1.Catena
- 2.Barra di guida
- 3.Copertura protettiva
- 4.Cappuccio in plastica (sul lato posteriore)
- 5.Interruttore di sicurezza
- 6.Interruttore di velocità
- 7.Punto di inserimento della batteria

EL

- 1.Αλυσίδα
- 2.Λάμα
- 3.Προστατευτικό κάλυμμα
- 4.Πλαστικό καπάκι (στην πίσω πλευρά)
- 5.Διακόπτης ασφαλείας
- 6.Σκανδάλη
- 7.Σημείο τοποθέτησης μπαταρίας

BG

- 1.Верига
- 2.Водач
- 3.Защитен капак
- 4.Пластмасова капачка (от задната страна)
- 5.Прекъсвач
- 6.Превключвател за скорост
- 7.Място за поставяне на батерията

RO

- 1.Lanț
- 2.Bară de ghidare
- 3.Capac de protecție
- 4.Capac din plastic (pe partea din spate)
- 5.Comutator de siguranță
- 6.Comutator de viteză
- 7.Punct de amplasare a bateriei

HR

- 1.Lanac
- 2.Vodič
- 3.Zaštitni poklop
- 4.Plastična kapica (na stražnjoj strani)
- 5.Sigurnosni prekidač
- 6.Prekidač brzine
- 7.Mjesto za bateriju

HU

- 1.Lánc
- 2.Útmutató rúd
- 3.Védőburkolat
- 4.Műanyag sapka (a hátoldalon)
- 5.Biztonsági kapcsoló
- 6.Sebességkapcsoló
- 7.Akkumulátor elhelyezési pont

EN Removing the chain/IT Rimuovere la catena /EL Αφαίρεση αλυσίδας /BG Премахване на веригата /RO Eliminarea lanțului/HR Uklanjanje lanca/HU A lánc eltávolítása



1

Loosen the screw by rotating it counterclockwise.
Allentare la vite ruotandola in senso antiorario.
Χαλαρώστε τη βίδα περιστρέφοντάς την αριστερόστροφα.
Разхлабете винта, като го завъртите обратно на часовниковата стрелка.
Slăbiți șurubul rotindu-l în sens invers acelor de ceasornic.
Olabavite vijak okretanjem u smjeru suprotnom od kazaljke na satu.
Lazítsa meg a csavart az óramutató járásával ellentétes irányba forgatva.



2

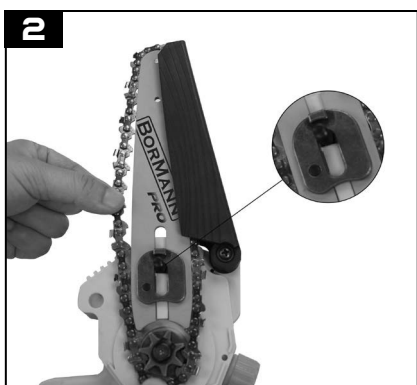
Remove the chain cover, guide bar and chain.
Rimuovere il copricatena, la barra guida e la catena.
Αφαίρεστε το κάλυμμα της αλυσίδας, τη λάμα και την αλυσίδα.
Премахнете капака на веригата, водещата шина и веригата.
Înderărtați capacul lanțului, bara de ghidaj și lanțul.
Uklonite poklopac lanca, vodilicu i lanac.
Távolítsa el a láncvédőt, a vezetőszínt és a láncot.

EN Installing the chain/IT Installazione della catena/EL Εγκατάσταση της αλυσίδας/BG Монтиране на веригата/RO Instalarea lanțului/HR Ugradnja lanca/HU A lánc felszerelése



1

Align the chain with the guide bar and ensure that it is facing the correct direction.
Allineare la catena alla barra di guida e assicurarsi che sia orientata nella direzione corretta.
Ευθυγραμμίστε την αλυσίδα με τη λάμα και βεβαιωθείτε ότι είναι στραμμένη προς τη σωστή κατεύθυνση.
Подравнете веригата с водещата шина и се уверете, че е насочена в правилната посока.
Aliniați lanțul cu șina de ghidaj și asigurați-vă că este orientat în direcția corectă.
Poravnajte lanac s vodilicom i provjerite je li okrenut u pravom smjeru.
Igazítsa a láncot a vezetőszínhez, és győződjön meg róla, hogy a megfelelő irányba néz.



2

Install the guide bar and chain, making sure to align the guide bar with the pin.
Installare la barra guida e la catena, assicurandosi di allineare la barra guida con il perno.
Τοποθετήστε τη λάμα και την αλυσίδα, φροντίζοντας να ευθυγραμμίσετε τη λάμα με τον πείρο.
Монтирайте водещата шина и веригата, като се уверите, че водещата шина е подравнена със щифта.
Montați bara de ghidaj și lanțul, asigurându-vă că bara de ghidaj este aliniată cu bolțul.
Ugradite vodilicu i lanac, pazeci da vodilica bude poravnana s klinom.
Szerelje fel a vezetőszínt és a láncot, ügyelve arra, hogy a vezetőszínt igazítsa a csaphoz.



3

Install the chain cover and turn the knob clockwise to tighten.
Installare il copricatena e girare la manopola in senso orario per stringere.
Τοποθετήστε το κάλυμμα της αλυσίδας και στρέψτε το κομβίο δεξιόστροφα για να συσφίξετε.
Монтирайте капака на веригата и завъртете копчето по часовниковата стрелка, за да затегнете.
Montați capacul lanțului și rotiți butonul în sensul acelor de ceasornic pentru a strânge.
Ugradite poklopac lanca i okrenite gumb u smjeru kazaljke na satu da zategnete.
Szerelje fel a láncvédőt, és forgassa el a gombot az óramutató járásával megegyező irányba a meghúzáshoz.



Put on the screw and tighten it by turning it clockwise.
Inserire la vite e serrarla ruotandola in senso orario.
Τοποθετήστε τη βίδα και σφίξτε την περιστρέφοντάς την δεξιόστροφα.
Поставете винта и го затегнете, като го завъртите по часовниковата стрелка.
Puneți șurubul și strângeți-l rotindu-l în sensul acelor de ceasornic.
Postavite vijak i zategnite ga okretanjem u smjeru kazaljke na satu.
Helyezze fel a csavart, és húzza meg az óramutató járásával megegyező irányba forgatva.

NOTE / NOTA / ΣΗΜΕΙΩΣΗ / ЗАБЕЛЕЖКА/ NOTĂ / NAPOMENA / MEGJEGYZÉS

Check and adjust the chain tension frequently. A loose chain is easy to derail, which can lead to rapid wear of the chain and blade.
Controllare e regolare frequentemente la tensione della catena. Una catena allentata può facilmente deragliarsi, causando un'usura rapida della catena e della lama.

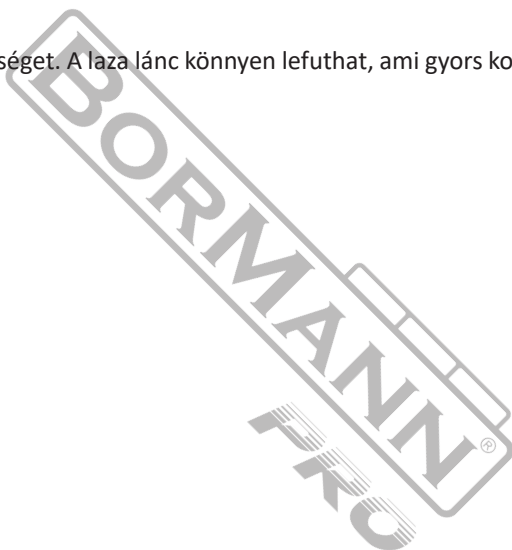
Ελέγχετε και ρυθμίζετε συχνά την τάση της αλυσίδας. Μια χαλαρή αλυσίδα μπορεί εύκολα να εκτραπεί, γεγονός που οδηγεί σε ταχεία φθορά της αλυσίδας και της λάμας.

Проверявайте и регулирайте редовно обтяжката на веригата. Хлабава верига лесно излиза от воденето, което води до бързо износване на веригата и шината.

Verificați și reglați frecvent tensiunea lanțului. Un lanț slăbit poate deraia ușor, ceea ce duce la uzura rapidă a lanțului și a lamei.

Često provjeravajte i podešavajte napetost lanca. Opušten lanac se lako može izbaciti iz ležišta, što može dovesti do brze istrošenosti lanca i vodilice.

Gyakran ellenőrizze és állítsa be a láncfeszességet. A laza lánc könnyen lefuthat, ami gyors kopást okozhat a láncban és a vezető sínben.



SAFETY INSTRUCTIONS



Warning: Read the manual carefully before use. Failure to follow the warnings and instructions may result in tool damage, physical injury and/or damage to property. Store the manual in a safe place for future reference.

Symbols



Wear eye protection.



Wear hearing protection.



Wear safety, non-slip footwear.



Wear protective gloves.



Wear a safety mask.



Wear a safety helmet.

General power tool safety warnings

- Oil the chain regularly. It is highly recommended to use oil for blades.
- Do not cut branches and timber with a diameter of more than 15 cm (6 inches) or materials that are too hard.
- Maintain the chain tension at the proper level. Do not overtighten the chain.
- If you use the tool for a long time and it gets hot, stop.
- Do not use the tool for unintended purposes.
- Do not leave gloves near any plastic surface. The gloves may be burnt at high temperatures.

Work area safety

- Keep the work area clean and well lit. Dark or cluttered areas could lead to accidents.
- Do not operate power tools in explosive atmospheres, such as in the presence of flammable liquids or fumes, gases or dust. Power tools could create sparks which may ignite the gases or fumes.
- Keep children and bystanders at a safe distance while operating the power tool.

Electrical safety

- Make sure that power tool plugs match the outlet. Do not ever modify the plug in any way. Do not use adapter plugs with earthed power tools. Using unmodified plugs and matching outlets will reduce the risk of electric shock.
- Avoid body contact with earthed or grounded materials or objects, such as radiators, pipes, ranges and refrigerators. There is a tremendous risk of electric shock if your body is earthed or grounded.
- Do not expose power tools to rain or any other wet conditions. Water entering a power tool could increase the risk of electric shock.
- Do not abuse the power cord. Never use the cord for carrying, pulling or unplugging the electric tool. Keep the cord in a safe distance from heat, oil, sharp edges and any moving parts. Damaged or entangled cords will increase the risk of electric shock.
- When operating an electric power tool outdoors, use an extension cable which has the appropriate specifications for outdoor use. Use of an extension cable suitable for outdoor use reduces the risk of electric shock.
- If operating a power tool in a damp location cannot be avoided, use a residual current device (RCD) protected supply. Use of an RCD reduces the risk of electric shock.

Personal safety

- Stay alert, watch what you are doing and use common sense when operating the power tool. Do not use the power tool if you are feeling tired or are under the influence of alcohol, drugs, or medication. A moment of inattention while operating the power tool may result in serious personal injury.
- Use personal protective equipment. Always wear eye protection. Protective equipment such as a dust mask, hearing protection, non-skid safety shoes or protective helmets, used in appropriate conditions will reduce the risk of sustaining personal injuries.
- Prevent unintentional starting. Ensure the power switch is in the off-position before connecting to power source and/or battery pack, picking up or carrying the power tool. Carrying power tools with your finger on the power switch or connecting power tools that have the switch in the on position to a power source can lead to accidents.
- Remove any adjusting keys or wrenches before turning on the power tool. An adjusting key or a wrench left attached to a rotating part of the power tool may result in personal injury.
- Do not overreach. Keep balance and proper footing at all times. This helps the operator have better control of the power tool in unexpected situations.
- Dress properly. Do not wear loose clothing or jewellery. Keep your hair, clothing and gloves away from any moving parts. Loose clothes, jewellery and/or long hair can be caught in moving parts.
- If there are devices for dust extraction and collection, make sure they are connected and used correctly. Use of these devices can reduce dust-related hazards.
- Do not let the familiarity gained from frequent use of tools allow you to become complacent and ignore tool safety rules. One careless action can cause serious injury in a split second.

Power tool use and care

- Do not force the power tool. Use the correct power tool for the each application. The correct power tool will always do the job better and safer when used as intended.
- Do not use the power tool if the switch does not turn activate or deactivate it. Any power tool that cannot be controlled with the switch is extremely dangerous and must be repaired.
- Disconnect the main plug from the power source and/or the battery pack from the power tool before changing accessories, making any adjustments, or storing the power tool. Such preventive safety measures will reduce the risk of starting the power tool accidentally.
- When the power tool is not in use, store it out of the reach of children and do not allow persons unfamiliar with the power tool or these instructions to use and operate the power tool. Power tools are extremely dangerous in the hands of untrained users.
- Maintain the power tool. Check for misalignment or binding of moving parts, breakage of parts, leakage and any other issue that may affect the power tool's operation. If damaged, have the power tool repaired before use. Many accidents and injuries are caused by poorly maintained power tools.
- Keep the cutting parts of the power tool sharp and clean. Properly maintained cutting tools with sharp cutting edges are less likely to bind and are more precise and easier to control.
- Always use the power tool, accessories and tool bits etc. in accordance with the instructions of this instruction manual, taking into account the working conditions and the work that is to be performed. Use of the power tool for applications different from those intended could result in personal injury or cause damage to the power tool.
- Keep the handles and any grasping surfaces of the power tool dry, clean and free of oil and grease. Slippery handles and grasping surfaces do not allow for safe handling of the tool in unexpected circumstances.

Battery tool use and care

- Recharge the batteries only with the charger specified by the manufacturer. A charger that is used to charge unsuitable batteries can create a risk of fire.
- Use the power tool only with the specifically designated battery packs. Use of any other battery packs may create a risk of injury and fire.
- When the battery pack is not in use, keep it away from other metal objects, like paper clips, coins, keys, nails, screws or other small metal objects that can make a connection from one terminal to another.
- Shorting the battery terminals together may cause burns or a fire.
- Under abusive conditions, liquid may be ejected from the battery; avoid contact. If contact accidentally occurs, flush with water. If liquid contacts eyes, seek medical help immediately. Liquid ejected from the battery may cause irritation or burns.
- Do not use a battery pack that is damaged or modified. Damaged or modified batteries may not function as intended, resulting in fire or explosion.
- Do not expose a battery pack to fire or excessive temperatures. Exposure to fire or temperatures above 130°C may cause an explosion.
- Follow all charging instructions and do not charge the battery pack outside the temperature range specified in the instructions. Charging improperly or at temperatures outside the specified range may damage the battery and increase the risk of fire.

Service

- Have the power tool serviced by qualified service personnel, using only identical replacement parts. This will ensure that the safety of the power tool is maintained.
- Never attempt to repair damaged battery packs on your own. Service of battery packs should only be performed by the manufacturer or authorized service technicians.

INTENDED USE

This device is suitable for pruning gardens, shrubs, small branches, cutting wood, widely used in gardens, parks, farms, highways, pastures, orchards, greenhouses. Any other use or modification of the machine is considered improper use and may result in serious personal injury.

No liability can be accepted for any damage caused by failure to follow these instructions or any other improper use or mishandling of the device.

TECHNICAL SPECIFICATIONS

Technical data	
Model	BBP3917C
Motor, Voltage	Brushless, 20 V
Guide bar	15 cm
Chain speed	10 m/s
Chain size	1/4" (1.1 mm), 37 links
Chain Lubrication	Yes
Tool weight	1 kg (without battery)

* The manufacturer reserves the right to make minor changes to product design and technical specifications without prior notice unless these changes significantly affect the performance and safety of the products. The parts described / illustrated in the pages of the manual that you hold in your hands may also concern other models of the manufacturer's product line with similar features and may not be included in the product you just acquired.

* To ensure the safety and reliability of the product and the warranty validity, all repair, inspection or replacement work, including maintenance and special adjustments, must only be carried out by technicians of the authorized service department of the manufacturer.

* Always use the product with the supplied equipment. Operation of the product with non-provided equipment may cause malfunctions or even serious injury or death. The manufacturer and the importer shall not be liable for injuries and damages resulting from the use of non-conforming equipment.

* The battery is not included

Cutting

- When the appliance is running, keep your other hand at least 15 cm (6 inches) away from the cutting area of the blade.
- To ensure longer chainsaw life, do not overload the device and do not cut branches larger than 15 cm (6 inches) in diameter.
- To protect the battery from cold or wet weather, place it under waterproof clothing.
- Unplug the battery from the wall outlet after completing the cut.
- Do not use this equipment in rain.

MAINTENANCE AND CLEANING

- ⚠** Before cleaning and maintenance, always switch off the machine and remove the battery from the tool.
- Clean the chain carefully after each use.
 - Wipe the chain with lubricating oil (blade oil or similar types) and spray with metal protection spray.
 - Do not spray the equipment with water.
 - Clean the machine housing regularly with a soft cloth, preferably after each use.
 - Keep the ventilator, engine compartment and tool handle clean.
 - Remove stubborn dirt using a soft cloth dampened with soap. Do not use solvents such as gasoline, alcohol, ammonia, etc. Chemicals such as these will damage synthetic components.
- ⚠** Environment
Defective and/or discarded electrical or electronic equipment should be collected at the appropriate recycling points.

ENVIRONMENTAL DISPOSAL

In order to avoid damages on transportation, the tool has to be delivered in solid packaging. Packaging as well as the unit and accessories are made of recyclable materials and can be disposed accordingly. The tool's plastics components are marked according to their material, which makes it possible to remove environmental friendly and differentiated because of available collection facilities.



Only for EU countries

Do not dispose of electric tools together with household waste material!

In observance of European Directive 2002/96/EC on waste electrical and electronic equipment and its implementation in accordance with national law, electric tools that have reached the end of their life must be collected separately and returned to an environmentally compatible recycling facility.



ΟΔΗΓΙΕΣ ΑΣΦΑΛΕΙΑΣ



Προσοχή: Διαβάστε προσεκτικά το εγχειρίδιο πριν χρησιμοποιήσετε το εργαλείο. Η μη τήρηση των προειδοποιήσεων και των οδηγιών μπορεί να οδηγήσει σε βλάβη του εργαλείου, τραυματισμό ή να προκαλέσει υλική ζημιά. Φυλάξτε το εγχειρίδιο σε ασφαλές μέρος για μελλοντική αναφορά.

Σύμβολα



Φοράτε γυαλιά ασφαλείας.



Φοράτε προστατευτικά ακοής.



Φοράτε αντιολισθητικές μπότες ασφαλείας.



Φοράτε γάντια προστασίας.



Φοράτε μάσκα προστασίας.



Φοράτε κράνος προστασίας.

Γενικές προειδοποιήσεις ασφάλειας για τα ηλεκτρικά εργαλεία

- Λαδώνετε τακτικά την αλυσίδα. Συνιστάται ιδιαίτερα η χρήση λαδιού για λάμες.
- Μην κόβετε κλαδιά και ξύλα με διάμετρο μεγαλύτερη από 15 cm ή πολύ σκληρά υλικά.
- Διατηρείτε την τάνυση της αλυσίδας στο κατάλληλο επίπεδο. Μην σφίγγετε υπερβολικά την αλυσίδα.
- Εάν χρησιμοποιείτε το εργαλείο για πολλή ώρα και αυτό ζεσταθεί, σταματήστε.
- Μη χρησιμοποιείτε το εργαλείο για μη προβλεπόμενους σκοπούς.
- Μην αφήνετε τα γάντια κοντά σε οποιαδήποτε πλαστική επιφάνεια. Τα γάντια μπορεί να καούν σε μεγάλες θερμοκρασίες.

Ασφάλεια στον χώρο εργασίας

- Διατηρείτε τον χώρο εργασίας καθαρό και επαρκώς φωτισμένο. Η ακαταστασία και η ανεπαρκώς φωτισμένες περιοχές εργασίας μπορεί να οδηγήσουν σε ατυχήματα και τραυματισμό.
- Μην εργάζεστε με το ηλεκτρικό εργαλείο σε χώρους όπου υπάρχει κίνδυνος έκρηξης, στο οποίο υπάρχουν εύφλεκτα υγρά, αέρια ή σκόνη.
- Τα ηλεκτρικά εργαλεία ενδέχεται να δημιουργήσουν σπινθήρες οι οποίοι μπορούν να αναφλέξουν τη σκόνη ή τα αέρια.
- Όταν χρησιμοποιείτε το ηλεκτρικό εργαλείο κρατάτε τα παιδιά και άλλους παρευρισκόμενους σε ασφαλή απόσταση. Η απόσταση της προσοχής μπορεί να οδηγήσει στην απώλεια ελέγχου του εργαλείου/μηχανήματος.

Ηλεκτρική ασφάλεια

- Το βύσμα του καλωδίου του ηλεκτρικού εργαλείου πρέπει να είναι συμβατό με την πρίζα. Δεν επιτρέπεται η οποιαδήποτε μετατροπή του βύσματος.
- Μη χρησιμοποιείτε μετατροπείς σε συνδυασμό με γειωμένα ηλεκτρικά εργαλεία. Η χρήση βυσμάτων με συμβατές πρίζες μειώνουν τον κίνδυνο ηλεκτροπληξίας.
- Αποφεύγετε την επαφή με γειωμένες επιφάνειες όπως με σωλήνες, θερμαντικά σώματα (καλοριφέρ), κουζίνες ή ψυγεία. Όταν το σώμα σας γειώνεται αυξάνεται ο κίνδυνος ηλεκτροπληξίας.
- Μην εκθέτετε τα μηχανήματα και τα εργαλεία στη βροχή ή σε υψηλή υγρασία. Η διείσδυση νερού στο ηλεκτρικό εργαλείο αυξάνει τον κίνδυνο ηλεκτροπληξίας.
- Μη χρησιμοποιείτε το καλώδιο για να μεταφέρετε ή να μετακινήσετε το ηλεκτρικό εργαλείο, ή για να βγάλετε το βύσμα από την πρίζα. Κρατάτε το καλώδιο μακριά από πηγές υψηλής θερμοκρασίας, κοφτερά αντικείμενα και από κινούμενα εξαρτήματα. Τα καλώδια που έχουν υποστεί οποιαδήποτε ζημιά αυξάνουν τον κίνδυνο ηλεκτροπληξίας.
- Όταν εργάζεστε μ' ένα ηλεκτρικό εργαλείο σε εξωτερικό χώρο, χρησιμοποιείτε καλώδια προέκτασης (μπαλαντζές) που είναι κατάλληλα για χρήση σε εξωτερικούς χώρους. Η χρήση καλωδίων προέκτασης κατάλληλων για εξωτερικούς χώρους μειώνει τον κίνδυνο ηλεκτροπληξίας.
- Όταν η χρήση του ηλεκτρικού εργαλείου σε χώρους με υψηλή υγρασία ή με υγρά είναι αναπόφευκτη, τότε χρησιμοποιήστε μια διάταξη προστασίας έναντι ρεύματος διαρροής (ρελέ διαρροής - RCD). Η χρήση ενός ρελέ διαρροής μειώνει τον κίνδυνο ηλεκτροπληξίας.

Προσωπική ασφάλεια

- Να είστε πάντοτε προσεκτικοί, να δίνετε προσοχή στην εργασία που εκτελείτε και να χειρίζεστε το μηχάνημα με σύνεση. Μη χρησιμοποιείτε το ηλεκτρικό εργαλείο αν νιώθετε κόπωση ή αν βρίσκεστε υπό την επήρεια αλκοόλ ή άλλων ουσιών. Μια στιγμή απροσεξίας κατά τον χειρισμό του ηλεκτρικού εργαλείου μπορεί να οδηγήσει σε σοβαρό τραυματισμό.
- Φοράτε κατάλληλο εξοπλισμό ατομικής προστασίας. Επιλέξτε τον κατάλληλο εξοπλισμό προστασίας, για παράδειγμα μια μάσκα σκόνης, αντιολισθητικές μπότες ασφαλείας, κράνος προστασίας, προστατευτικά ακοής, ανάλογα με το εκάστοτε εργαλείο και τη χρήση του, έτσι ώστε να μειωθεί ο κίνδυνος τραυματισμού.
- Λάβετε μέτρα για να αποφύγετε την ακούσια εκκίνηση. Βεβαιωθείτε ότι το κουμπί ενεργοποίησης του εργαλείου βρίσκεται στη θέση OFF πριν συνδέσετε το βύσμα του καλωδίου στην πρίζα, πριν τοποθετήσετε τις μπαταρίες στο εργαλείο, και πριν το μεταφέρετε και το κουβαλήσετε. Μην μεταφέρετε το ηλεκτρικό εργαλείο με το δάκτυλό σας να ακουμπάει τον διακόπτη ON/OFF και μην συνδέετε το εργαλείο με την πηγή ρεύματος αν ο διακόπτης βρίσκεται στη θέση ON.
- Αφαιρείτε από τα ηλεκτρικά εργαλεία τυχόν εργαλεία ρύθμισης πριν θέσετε το ηλεκτρικό εργαλείο σε λειτουργία. Ένα εργαλείο ρύθμισης που βρίσκεται συνδεδεμένο σ' ένα κινούμενο τμήμα μπορεί να οδηγήσει σε τραυματισμό.
- Μην τεντώνετε, γέρνετε ή σκύβετε υπερβολικά κατά τη χρήση του εργαλείου. Διατηρήστε την ισορροπία σας και φροντίστε να στέκεστε με σωστή στάση σώματος έτσι ώστε να είστε σε θέση να αντιμετωπίσετε απροσδόκητες περιστάσεις.
- Ντυθείτε με τα κατάλληλα ενδύματα. Μη φοράτε ρούχα με χαλαρή εφαρμογή ή κοσμήματα. Κρατήστε τα μαλλιά, τα ρούχα και τα χέρια σας σε ασφαλή απόσταση από τα κινούμενα εξαρτήματα.

Ορθότητα χειρισμού και συντήρηση ηλεκτρικών εργαλείων

- Μην ασκείτε υπερβολική πίεση στο εργαλείο. Χρησιμοποιήστε το κατάλληλο εργαλείο για τον σκοπό για τον οποίο προορίζεται. Η χρήση του σωστού εργαλείου για τον σκοπό για τον οποίο προορίζεται θα καταστήσει την εργασία ασφαλέστερη.
- Μη χρησιμοποιήσετε ποτέ ένα εργαλείο αν το κουμπί ενεργοποίησής του δεν λειτουργεί. Ένα ηλεκτρικό εργαλείο το οποίο δεν μπορεί πλέον να ενεργοποιηθεί ή/και να απενεργοποιηθεί με το εν λόγω κουμπί είναι επικίνδυνο και πρέπει να επισκευαστεί.
- Αποσυνδέστε το βύσμα του καλωδίου από την πρίζα και/ή αφαιρέστε την μπαταρία πριν προβείτε σε εργασίες συντήρησης ή αντικατάστασης εξαρτήματος του εργαλείου ή όταν πρόκειται να φυλάξετε το εργαλείο. Αυτά τα μέτρα πρόληψης μειώνουν τον κίνδυνο της ακούσιας εκκίνησης του ηλεκτρικού εργαλείου.
- Όταν δεν χρησιμοποιείται, φυλάξτε το ηλεκτρικό εργαλείο σε σημείο μη προσβάσιμο από παιδιά.
- Συντηρήστε το ηλεκτρικό εργαλείο. Ελέγχετε, αν τα κινούμενα εξαρτήματα λειτουργούν σωστά, αν υπάρχει κάποιο μπλοκάρισμα, ή αν έχουν σπάσει σε κάποιο σημείο ή φθαρεί εξαρτήματα τα οποία ενδέχεται να επηρεάσουν αρνητικά την λειτουργία του ηλεκτρικού εργαλείου. Η λανθασμένη συντήρηση των ηλεκτρικών εργαλείων προκαλεί ατυχήματα.
- Διατηρείτε τα εργαλεία κοπής αιχμηρά και σε καλή κατάσταση. Τα επαρκώς συντηρημένα κοπτικά εργαλεία είναι πιο δύσκολο να μπλοκαριστούν και έχουν υψηλότερη απόδοση.
- Χρησιμοποιείτε όλα τα τμήματα του εξοπλισμού και το ίδιο το εργαλείο σύμφωνα με τις οδηγίες του εγχειριδίου. Λαμβάνετε επίσης υπόψη σας τους εξωτερικούς παράγοντες και τις συνθήκες της εκάστοτε εργασίας.
- Η χρήση του ηλεκτρικού εργαλείου για εργασίες άλλες από τις προβλεπόμενες μπορεί να οδηγήσει σε ατύχημα.
- Διατηρείτε τις λαβές και τις επιφάνειες πρόσφυσης του ηλεκτρικού εργαλείου στεγνές, καθαρές και απαλλαγμένες από λάδια και γράσα. Οι ολισθηρές λαβές και επιφάνειες πρόσφυσης καταστύουν αδύνατο τον ασφαλή χειρισμό του εργαλείου σε απρόβλεπτες περιστάσεις.

Οδηγίες ασφαλείας για εργαλεία με μπαταρίες

- Επαναφορτίζετε τις μπαταρίες μόνο με τον φορτιστή που ορίζει ο κατασκευαστής. Ένας φορτιστής που χρησιμοποιείται για τη φόρτιση ακατάλληλων μπαταριών μπορεί να δημιουργήσει κίνδυνο πυρκαγιάς.
- Χρησιμοποιείτε το ηλεκτρικό εργαλείο μόνο με τις προβλεπόμενες μπαταρίες. Η χρήση άλλων μπαταριών μπορεί να δημιουργήσει κίνδυνο τραυματισμού και πυρκαγιάς.
- Όταν η μπαταρία δεν χρησιμοποιείται, κρατήστε το μακριά από μεταλλικά αντικείμενα όπως συνδετήρες, κέρματα, κλειδιά, καρφιά, βίδες ή άλλα μικρά μεταλλικά αντικείμενα που μπορούν να κάνουν σύνδεση από τον έναν ακροδέκτη στον άλλον.
- Το βραχυκύκλωμα των ακροδεκτών της μπαταρίας μπορεί να προκαλέσει εγκαύματα ή πυρκαγιά.
- Υπό συνθήκες κακομεταχείρισης, μπορεί να εκτοξευτεί υγρό από την μπαταρία. Αποφύγετε την επαφή με το υγρό της μπαταρίας. Σε περίπτωση επαφής με το υγρό, ξεπλύνετε με νερό. Εάν το υγρό έρθει σε επαφή με τα μάτια, αναζητήστε αμέσως ιατρική βοήθεια. Το υγρό που εκτοξεύεται από την μπαταρία μπορεί να προκαλέσει ερεθισμό ή εγκαύματα.
- Μην χρησιμοποιείτε μπαταρία που έχει υποστεί ζημιά ή έχει τροποποιηθεί. Οι κατεστραμμένες ή τροποποιημένες μπαταρίες ενδέχεται να μην λειτουργούν όπως προβλέπεται, με αποτέλεσμα να προκληθεί πυρκαγιά ή έκρηξη.
- Μην εκθέτετε την μπαταρία σε φωτιά ή σε πολύ υψηλές θερμοκρασίες. Η έκθεση σε φωτιά ή σε θερμοκρασίες άνω των 130°C μπορεί να προκαλέσει έκρηξη.
- Ακολουθήστε όλες τις οδηγίες φόρτισης και μην φορτίζετε την μπαταρία εκτός του εύρους θερμοκρασιών που καθορίζεται στις οδηγίες. Η ακατάλληλη φόρτιση ή η φόρτιση σε θερμοκρασίες εκτός του καθορισμένου εύρους μπορεί να προκαλέσει ζημιά στη μπαταρία και να αυξήσει τον κίνδυνο πυρκαγιάς.

Service

- Αναθέστε τη συντήρηση και την επισκευή του ηλεκτρικού εργαλείου σε εξειδικευμένο προσωπικό σέρβις, χρησιμοποιώντας μόνο παανομιότυπα ανταλλακτικά. Με τον τρόπο αυτό θα διασφαλιστεί η διατήρηση της ασφάλειας του ηλεκτρικού εργαλείου.
- Ποτέ μην επιχειρήσετε να επισκευάσετε μόνοι σας τις μπαταρίες που έχουν υποστεί βλάβη. Το σέρβις των μπαταριών πρέπει να εκτελείται μόνο από τον κατασκευαστή ή από εξουσιοδοτημένους τεχνικούς σέρβις.

ΣΚΟΠΟΥΜΕΝΗ ΧΡΗΣΗ

Αυτή η συσκευή είναι κατάλληλη για το κλάδεμα κήπων, θάμνων, μικρών κλαδιών, την κοπή ξύλου, που χρησιμοποιείται ευρέως σε κήπους, πάρκα, αγροκτήματα, αυτοκινητόδρομους, βοσκοτόπια, οπωρώνες, θερμοκήπια. Οποιαδήποτε άλλη χρήση ή τροποποίηση του μηχανήματος θεωρείται ακατάλληλη χρήση και μπορεί να οδηγήσει σε σοβαρό σωματικό τραυματισμό.

Καμία ευθύνη δεν μπορεί να αποδοθεί για οποιαδήποτε ζημιά που προκαλείται από τη μη τήρηση αυτών των οδηγιών ή από οποιαδήποτε άλλη ακατάλληλη χρήση ή κακό χειρισμό της συσκευής.

ΤΕΧΝΙΚΕΣ ΠΡΟΔΙΑΓΡΑΦΕΣ

Τεχνικά χαρακτηριστικά	
Μοντέλο	BBP3917C
Μοτέρ, Τάση	Brushless, 20 V
Μήκος λάμας	15 cm
Ταχύτητα αλυσίδας	10 m/s
Αλυσίδα	1/4" (1,1 mm), 37 οδ.
Λίπανση αλυσίδας	Ναι
Βάρος χωρίς μπαταρία	1 kg

* Η μπαταρία δεν περιλαμβάνεται

* Ο κατασκευαστής διατηρεί το δικαίωμα να πραγματοποιήσει δευτερεύουσες αλλαγές στο σχεδιασμό του προϊόντος και στα τεχνικά χαρακτηριστικά χωρίς προηγούμενη ειδοποίηση, εκτός εάν οι αλλαγές αυτές επηρεάζουν σημαντικά την απόδοση και λειτουργία ασφάλειας των προϊόντων. Τα εξαρτήματα που περιγράφονται / απεικονίζονται στις σελίδες του εγχειριδίου που κρατάτε στα χέρια σας ενδέχεται να αφορούν και σε άλλα μοντέλα της σειράς προϊόντων του κατασκευαστή, με παρόμοια χαρακτηριστικά, και ενδέχεται να μην περιλαμβάνονται στο προϊόν που μόλις αποκτήσατε.

* Για να διασφαλιστεί η ασφάλεια και η αξιοπιστία του προϊόντος καθώς και η ισχύς της εγγύησης όλες οι εργασίες επιδιόρθωσης, ελέγχου, επισκευής ή αντικατάστασης συμπεριλαμβανομένης της συντήρησης και των ειδικών ρυθμίσεων, πρέπει να εκτελούνται μόνο από τεχνικούς του εξουσιοδοτημένου τμήματος Service του κατασκευαστή.

* Χρησιμοποιείτε πάντα το προϊόν με τον παρεχόμενο εξοπλισμό. Η λειτουργία του προϊόντος με μη-προβλεπόμενο εξοπλισμό ενδέχεται να προκαλέσει βλάβη ή ακόμα και σοβαρό τραυματισμό ή θάνατο. Ο κατασκευαστής και ο εισαγωγέας ουδεμία ευθύνη φέρει για τραυματισμούς και βλάβες που προκύπτουν από την χρήση μη προβλεπόμενου εξοπλισμού.

Κοπή

- Όταν η συσκευή βρίσκεται σε λειτουργία, κρατήστε το άλλο σας χέρι τουλάχιστον 15 cm μακριά από την περιοχή κοπής της λάμας.
- Για να εξασφαλίσετε μεγαλύτερη διάρκεια ζωής του αλυσοπρίονου, μην υπερφορτώνετε τη συσκευή και μην κόβετε κλαδιά με διάμετρο μεγαλύτερη από 15 cm.
- Για να προστατέψετε την μπαταρία από τον κρύο ή τον υγρό καιρό, τοποθετήστε την κάτω από αδιάβροχα ρούχα.
- Αποσυνδέστε την μπαταρία από την πρίζα μετά την ολοκλήρωση της κοπής.
- Μην χρησιμοποιείτε αυτό το εργαλείο στη βροχή.

ΣΥΝΤΗΡΗΣΗ ΚΑΙ ΚΑΘΑΡΙΣΜΟΣ

- ⚠** Πριν από τον καθαρισμό και τη συντήρηση, να απενεργοποιείτε πάντα το μηχάνημα και να αφαιρείτε τη μπαταρία από το εργαλείο.
- Καθαρίζετε προσεκτικά την αλυσίδα μετά από κάθε χρήση.
 - Σκουπίστε την αλυσίδα με λυπαντικό λάδι (λάδι για λάμες ή παρόμοιους τύπους) και ψεκάστε με σπρέι προστασίας μετάλλων.
 - Μην ψεκάζετε τον εξοπλισμό με νερό.
 - Καθαρίζετε τακτικά το περίβλημα του μηχανήματος με ένα μαλακό πανί, κατά προτίμηση μετά από κάθε χρήση.
 - Διατηρείτε τον εξαεριστήρα, τον χώρο του κινητήρα και τη λαβή του εργαλείου καθαρά.
 - Απομακρύνετε την επίμονη βρωμιά χρησιμοποιώντας ένα μαλακό πανί βρεγμένο με σαπούνι. Μην χρησιμοποιείτε διαλυτικά όπως βενζίνη, οινόπνευμα, αμμωνία κ.λπ. Χημικές ουσίες όπως αυτές θα καταστρέψουν τα συνθετικά εξαρτήματα.
- ⚠** Περιβάλλον
Οι ελαττωματικές ή/και απορριφθείσες ηλεκτρικές ή ηλεκτρονικές συσκευές πρέπει να συλλέγονται στα κατάλληλα σημεία ανακύκλωσης.

ΑΠΟΡΡΙΨΗ ΣΤΟ ΠΕΡΙΒΑΛΛΟΝ

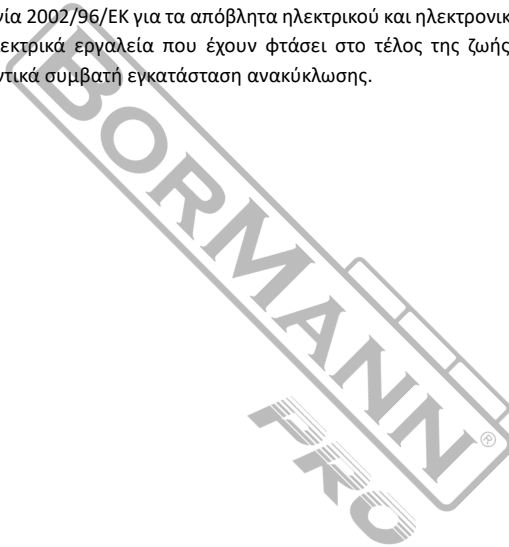
Προκειμένου να αποφευχθούν ζημιές κατά τη μεταφορά, το εργαλείο πρέπει να παραδίδεται σε στερεά συσκευασία. Η συσκευασία καθώς και η μονάδα και τα εξαρτήματα είναι κατασκευασμένα από ανακυκλώσιμα υλικά και μπορούν να απορριφθούν αναλόγως. Τα πλαστικά εξαρτήματα του εργαλείου φέρουν σήμανση ανάλογα με το υλικό τους, γεγονός που καθιστά δυνατή την απομάκρυνση φιλικών προς το περιβάλλον και διαφοροποιημένων λόγω των διαθέσιμων εγκαταστάσεων συλλογής.



Μόνο για χώρες της Ευρωπαϊκής Ένωσης

Μην πετάτε τα ηλεκτρικά εργαλεία μαζί με τα οικιακά απορρίμματα!

Σύμφωνα με την Ευρωπαϊκή Οδηγία 2002/96/ΕΚ για τα απόβλητα ηλεκτρικού και ηλεκτρονικού εξοπλισμού και την εφαρμογή της σύμφωνα με την εθνική νομοθεσία, τα ηλεκτρικά εργαλεία που έχουν φτάσει στο τέλος της ζωής τους πρέπει να συλλέγονται χωριστά και να επιστρέφονται σε μια περιβαλλοντικά συμβατή εγκατάσταση ανακύκλωσης.



ISTRUZIONI DI SICUREZZA



Attenzione: Leggere attentamente il manuale prima dell'uso. La mancata osservanza delle avvertenze e delle istruzioni può causare danni all'utensile, lesioni fisiche e/o danni alle cose. Conservare il manuale in un luogo sicuro per future consultazioni.

Simboli



Indossare una protezione per gli occhi.



Indossare protezioni per l'udito.



Indossare calzature di sicurezza e antiscivolo.



Indossare guanti di protezione.



Indossare una maschera di sicurezza.



Indossare un casco di sicurezza.

Avvertenze generali sulla sicurezza degli utensili elettrici

- Oliate regolarmente la catena. Si consiglia vivamente di utilizzare l'olio per le lame.
- Non tagliare rami e legname con un diametro superiore a 15 cm o materiali troppo duri.
- Mantenere la tensione della catena al livello corretto. Non stringere eccessivamente la catena.
- Se l'utensile viene utilizzato a lungo e si surriscalda, fermarsi.
- Non utilizzare lo strumento per scopi non previsti.
- Non lasciare i guanti vicino a superfici in plastica. I guanti possono bruciarsi ad alte temperature.

Sicurezza dell'area di lavoro

- Mantenere l'area di lavoro pulita e ben illuminata. Aree buie o disordinate possono causare incidenti.
- Non utilizzare gli utensili elettrici in atmosfere esplosive, ad esempio in presenza di liquidi o fumi infiammabili, gas o polveri. Gli utensili elettrici potrebbero creare scintille che potrebbero incendiare i gas o i fumi.
- Tenere i bambini e gli astanti a distanza di sicurezza durante l'uso dell'elettro utensile.

Sicurezza elettrica

- Assicurarsi che le spine degli utensili elettrici corrispondano alla presa di corrente. Non modificare mai la spina in alcun modo. Non utilizzare spine adattatrici con utensili elettrici dotati di messa a terra. L'uso di spine non modificate e di prese corrispondenti riduce il rischio di scosse elettriche.
- Evitare il contatto del corpo con materiali o oggetti collegati a terra, come radiatori, tubi, cucine e frigoriferi. C'è un enorme rischio di scosse elettriche. scossa se il corpo è collegato a terra.
- Non esporre gli utensili elettrici alla pioggia o ad altre condizioni di umidità. L'ingresso di acqua in un elettro utensile può aumentare il rischio di scosse elettriche.
- Non abusare del cavo di alimentazione. Non utilizzare mai il cavo per trasportare, tirare o scollegare l'utensile elettrico. Tenere il cavo a distanza di sicurezza da calore, olio, bordi taglienti e parti in movimento. I cavi danneggiati o aggrovigliati aumentano il rischio di scosse elettriche.
- Quando si utilizza un utensile elettrico all'aperto, utilizzare un cavo di prolunga con le specifiche adeguate per l'uso all'aperto. L'uso di una prolunga Il cavo adatto all'uso esterno riduce il rischio di scosse elettriche.
- Se non è possibile evitare di utilizzare un utensile elettrico in un luogo umido, utilizzare un'alimentazione protetta da un dispositivo di corrente residua (RCD). L'uso di un RCD riduce il rischio di scossa elettrica.

Sicurezza personale

- Rimanere vigili, fare attenzione a ciò che si fa e usare il buon senso quando si utilizza l'elettro utensile. Non utilizzare l'elettro utensile in caso di stanchezza o sotto l'effetto di alcol, droghe o farmaci. Un momento di disattenzione durante l'uso dell'elettro utensile può causare gravi lesioni personali.
- Utilizzare dispositivi di protezione personale. Indossare sempre una protezione per gli occhi. Dispositivi di protezione come maschere antipolvere, protezioni per l'udito, scarpe di sicurezza antiscivolo o caschi di protezione, utilizzati in condizioni adeguate, ridurranno il rischio di lesioni personali.
- Prevenire l'avviamento involontario. Assicurarsi che l'interruttore di alimentazione sia in posizione off prima di collegare l'utensile alla fonte di alimentazione e/o alla batteria, di sollevarlo o di trasportarlo. Il trasporto di utensili elettrici con il dito sull'interruttore di alimentazione o il collegamento di utensili elettrici con l'interruttore in posizione di accensione a una fonte di alimentazione possono causare incidenti.
- Togliere le chiavi di regolazione o le chiavi inglesi prima di accendere l'elettro utensile. Una chiave di regolazione o una chiave lasciata attaccata a una parte rotante dell'elettro utensile può provocare lesioni personali.
- Non sporgersi eccessivamente. Mantenere sempre l'equilibrio e l'appoggio corretto. Questo aiuta l'operatore a controllare meglio l'elettro utensile in situazioni impreviste.
- Vestirsi in modo adeguato. Non indossare abiti larghi o gioielli. Tenere i capelli, gli indumenti e i guanti lontani dalle parti in movimento. Vestiti larghi, gioielli e/o capelli lunghi possono impigliarsi nelle parti in movimento.
- Se sono presenti dispositivi per l'aspirazione e la raccolta della polvere, accertarsi che siano collegati e utilizzati correttamente. L'uso di questi dispositivi può ridurre i rischi legati alla polvere.
- Non lasciate che la familiarità acquisita con l'uso frequente degli utensili vi permetta di diventare compiacenti e di ignorare le regole di sicurezza degli utensili. Un'azione incauta può causare gravi lesioni in una frazione di secondo.

Uso e cura degli elettrotensili

- Non forzare l'elettrotensile. Utilizzare l'elettrotensile corretto per ogni applicazione. L'utensile corretto svolge sempre il lavoro in modo migliore e più sicuro quando viene utilizzato come previsto.
- Non utilizzare l'elettrotensile se l'interruttore non lo attiva o lo disattiva. Qualsiasi utensile elettrico che non può essere controllato con l'interruttore è estremamente pericoloso e deve essere riparato.
- Scollegare la spina principale dalla fonte di alimentazione e/o il pacco batteria dall'elettrotensile prima di cambiare gli accessori, effettuare regolazioni o riporre l'elettrotensile. Queste misure di sicurezza preventive riducono il rischio di avviamento accidentale dell'elettrotensile.
- Quando l'elettrotensile non è in uso, riporlo fuori dalla portata dei bambini e non permettere a persone che non conoscono l'elettrotensile o le presenti istruzioni di utilizzarlo e farlo funzionare. Gli utensili elettrici sono estremamente pericolosi nelle mani di utenti non addestrati.
- Manutenzione dell'elettrotensile. Verificare che non vi siano disallineamenti o impedimenti delle parti mobili, rotture di parti, perdite e qualsiasi altro problema che possa influire sul funzionamento dell'elettrotensile. Se danneggiato, far riparare l'elettrotensile prima dell'uso. Molti incidenti e infortuni sono causati da una cattiva manutenzione degli utensili elettrici.
- Mantenere le parti taglienti dell'elettrotensile affilate e pulite. Gli utensili da taglio sottoposti a una corretta manutenzione e dotati di bordi di taglio affilati hanno minori probabilità di piegarsi e sono più precisi e facili da controllare.
- Utilizzare sempre l'elettrotensile, gli accessori e le punte per utensili ecc. in conformità alle istruzioni del presente manuale, tenendo conto delle condizioni di lavoro e dell'attività da svolgere. L'uso dell'elettrotensile per applicazioni diverse da quelle previste potrebbe causare lesioni personali o danni all'elettrotensile.
- Mantenere le impugnature e le superfici di presa dell'elettrotensile asciutte, pulite e prive di olio e grasso. Impugnature e superfici di presa scivolose non consentono di maneggiare l'utensile in modo sicuro in circostanze impreviste.

Uso e cura della batteria

- Ricaricare le batterie solo con il caricabatterie specificato dal produttore. Un caricabatterie utilizzato per caricare batterie non adatte può creare un rischio di incendio.
- Utilizzare l'elettrotensile solo con le batterie specificatamente indicate. L'uso di altri pacchi batteria può comportare il rischio di lesioni e incendi.
- Quando il pacco batteria non è in uso, tenerlo lontano da altri oggetti metallici, come graffette, monete, chiavi, chiodi, viti o altri piccoli oggetti metallici che possono creare un collegamento da un terminale all'altro.
- Il cortocircuito dei terminali della batteria può causare ustioni o incendi.
- In caso di condizioni difficili, dalla batteria può fuoriuscire del liquido; evitare il contatto. In caso di contatto accidentale, sciacquare con acqua. Se il liquido entra in contatto con gli occhi, rivolgersi immediatamente a un medico. Il liquido espulso dalla batteria può causare irritazioni o ustioni.
- Non utilizzare batterie danneggiate o modificate. Le batterie danneggiate o modificate potrebbero non funzionare come previsto e causare incendi o esplosioni.
- Non esporre il pacco batteria al fuoco o a temperature eccessive. L'esposizione al fuoco o a temperature superiori a 130°C può causare un'esplosione.
- Seguire tutte le istruzioni di carica e non caricare il pacco batteria al di fuori dell'intervallo di temperatura specificato nelle istruzioni. Una carica non corretta o a temperature non comprese nell'intervallo specificato può danneggiare la batteria e aumentare il rischio di incendio.

Servizio

- Far riparare l'elettrotensile da personale qualificato, utilizzando solo parti di ricambio identiche. In questo modo si garantisce la sicurezza dell'elettrotensile mantenuto.
- Non tentare mai di riparare da soli i pacchi batteria danneggiati. La manutenzione dei pacchi batteria deve essere eseguita solo dal produttore o da un servizio di assistenza autorizzato tecnici.

USO PREVISTO

Questo apparecchio è adatto per la potatura di giardini, arbusti, piccoli rami, taglio del legno, ampiamente utilizzato in giardini, parchi, fattorie, autostrade, pascoli, frutteti, serre. Qualsiasi altro uso o modifica dell'apparecchio è da considerarsi improprio e può provocare gravi lesioni personali.

Si declina ogni responsabilità per eventuali danni causati dalla mancata osservanza di queste istruzioni o da qualsiasi altro uso improprio o errata manipolazione del dispositivo.

SPECIFICHE TECNICHE

Dati tecnici	
Modello	BBP3917C
Motore, Tensione	Brushless (senza spazzole), 20 V
Barra	15 cm
Velocità della catena	10 m/s
Dimensione della catena	1/4" (1,1 mm), 37 maglie
Sistema di lubrificazione	Si
Peso senza batteria	1 kg

* La batteria non è inclusa.

Taglio

- Quando l'apparecchio è in funzione, tenere l'altra mano ad almeno 15 cm di distanza dall'area di taglio della lama.
- Per garantire una maggiore durata della motosega, non sovraccaricare il dispositivo e non tagliare rami di diametro superiore a 15 cm.
- Per proteggere la batteria dal freddo o dall'umidità, riporla sotto indumenti impermeabili.
- Al termine del taglio, scollegare la batteria dalla presa di corrente.
- Non utilizzare l'apparecchiatura in caso di pioggia.

* Il produttore si riserva il diritto di apportare modifiche minori al design e alle specifiche tecniche del prodotto senza preavviso, a meno che tali modifiche non influiscano significativamente sulle prestazioni e sulla sicurezza dei prodotti. Le parti descritte/illustrate nelle pagine del manuale che avete tra le mani possono riguardare anche altri modelli della linea di prodotti del produttore con caratteristiche simili e potrebbero non essere incluse nel prodotto appena acquistato.

* Per garantire la sicurezza e l'affidabilità del prodotto e la validità della garanzia, tutti gli interventi di riparazione, ispezione o sostituzione, compresa la manutenzione e le regolazioni speciali, devono essere eseguiti esclusivamente da tecnici del servizio di assistenza autorizzato dal produttore.

* Utilizzare sempre il prodotto con l'attrezzatura fornita. L'utilizzo del prodotto con apparecchiature non in dotazione può causare malfunzionamenti o addirittura lesioni gravi o morte. Il produttore e l'importatore non sono responsabili per lesioni e danni derivanti dall'uso di apparecchiature non conformi.

MANUTENZIONE E PULIZIA

- ⚠** Prima della pulizia e della manutenzione, spegnere sempre la macchina e rimuovere la batteria dall'utensile.
- Pulire accuratamente la catena dopo ogni utilizzo.
 - Pulire la catena con olio lubrificante (olio per lame o tipi simili) e spruzzare uno spray protettivo per metalli.
 - Non spruzzare l'apparecchiatura con acqua.
 - Pulire regolarmente l'alloggiamento della macchina con un panno morbido, preferibilmente dopo ogni utilizzo.
 - Mantenere puliti il ventilatore, il vano motore e l'impugnatura dell'attrezzo.
 - Rimuovere lo sporco ostinato con un panno morbido inumidito con sapone. Non utilizzare solventi come benzina, alcol, ammoniaca, ecc. Tali sostanze chimiche danneggiano i componenti sintetici.
- ⚠** Ambiente
Le apparecchiature elettriche o elettroniche difettose e/o dismesse devono essere raccolte presso gli appositi punti di riciclaggio.

SMALTIMENTO AMBIENTALE

Per evitare danni durante il trasporto, l'utensile deve essere consegnato in un imballaggio solido. L'imballaggio, l'unità e gli accessori sono realizzati con materiali riciclabili e possono essere smaltiti di conseguenza. I componenti in plastica dell'utensile sono contrassegnati in base al materiale di cui sono composti, il che rende possibile l'eliminazione dei rifiuti ecologici e differenziati grazie alle strutture di raccolta disponibili.



Solo per i paesi dell'UE

Non smaltire gli utensili elettrici insieme ai rifiuti domestici!

In conformità alla direttiva europea 2002/96/CE sui rifiuti di apparecchiature elettriche ed elettroniche e alla sua attuazione in conformità alla legislazione nazionale, gli utensili elettrici giunti a fine vita devono essere raccolti separatamente e conferiti a un impianto di riciclaggio compatibile con l'ambiente.

BORMANN
PRO

ИНСТРУКЦИИ ЗА БЕЗОПАСНОСТ



Предупреждение: Прочетете внимателно ръководството преди употреба. Неспазването на предупрежденията и инструкциите може да доведе до повреда на инструмента, физически наранявания и/или материални щети. Съхранявайте ръководството на безопасно място за бъдещи справки.

Символи



Носете предпазни очила.



Носете защита на слуха.



Носете безопасни, нехлъзгащи се обувки.



Носете защитни ръкавици.



Носете предпазна маска.



Носете предпазна каска.

Общи предупреждения за безопасност на електроинструментите

- Редовно смазвайте веригата. Препоръчва се използването на масло за остриетата.
- Не режете клони и дървен материал с диаметър повече от 15 cm или материали, които са твърде твърди.
- Поддържайте напрежението на веригата на подходящо ниво. Не престягайте веригата.
- Ако използвате инструмента продължително време и той се нагорещи, спрете.
- Не използвайте инструмента за непреднамерени цели.
- Не оставяйте ръкавици в близост до пластмасови повърхности. Ръкавиците могат да бъдат изгорени при високи температури.

Безопасност в работната зона

- Поддържайте работната зона чиста и добре осветена. Тъмните или затрупани места могат да доведат до инциденти.
- Не работете с електроинструменти във взривоопасна атмосфера, например в присъствието на запалими течности или изпарения, газове или прах. Електрическите инструменти могат да предизвикат искри, които да възпламенят газовете или изпаренията.
- Докато работите с електроинструмента, дръжте децата и околните на безопасно разстояние.

Електрическа безопасност

- Уверете се, че щепселите на електроинструментите съответстват на контакта. Никога не променяйте щепсела по какъвто и да е начин. Не използвайте адаптерни щепсели със заземени електроинструменти. Използването на немодифицирани щепсели и съответстващи контакти ще намали риска от токов удар.
- Избягвайте контакт на тялото със заземени материали или предмети, като например радиатори, тръби, печки и хладилници. Съществува огромен риск от електрически удар, ако тялото ви е заземено.
- Не излагайте електроинструментите на дъжд или други влажни условия. Навлизането на вода в електроинструмента може да увеличи риска от токов удар.
- Не злоупотребявайте със захранващи кабел. Никога не използвайте кабела за пренасяне, дърпане или изключване на електрическия инструмент. Съхранявайте кабела на безопасно разстояние от топлина, масло, остри ръбове и всякакви движещи се части. Повредените или заплетени шнурове ще увеличат риска от токов удар.
- Когато работите с електрически инструмент на открито, използвайте удължител с подходящи спецификации за използване на открито. Използване на удължител кабел, подходящ за използване на открито, намалява риска от токов удар.
- Ако работата с електроинструмента на влажно място не може да бъде избегната, използвайте захранване, защитено с устройство за защита от остатъчен ток (RCD). Използването на RCD намалява риска от токов удар.

Лична безопасност

- Бъдете нащрек, внимавайте какво правите и използвайте здрав разум, когато работите с електроинструмента. Не използвайте електроинструмента, ако се чувствате уморени или сте под въздействието на алкохол, наркотици или лекарства. Момент на невнимание по време на работа с електроинструмента може да доведе до сериозно нараняване на хора.
- Използвайте лични предпазни средства. Винаги носете предпазни очила. Защитното оборудване, като маска против прах, защита на слуха, нехлъзгащи се предпазни обувки или защитни каски, използвани при подходящи условия, ще намалят риска от получаване на лични наранявания.
- Предотвратяване на непреднамерено стартиране. Уверете се, че превключвателят на захранването е в изключено положение, преди да свържете към източника на захранване и/или акумулаторната батерия, да вдигнете или пренесете електроинструмента. Пренасянето на електроинструменти с пръст върху превключвателя на захранването или свързването на електроинструменти, чийто превключвател е във включено положение, към източник на захранване може да доведе до злополуки.
- Преди да включите електроинструмента, извадете всички регулиращи ключове или гаечни ключове. Ключ за регулиране или гаечен ключ, оставен прикрепен към въртяща се част на електроинструмента, може да доведе до телесни повреди.
- Не прекалявайте. Поддържайте равновесие и правилна стойка през цялото време. Това помага на оператора да има по-добър контрол върху електроинструмента в неочаквани ситуации.
- Облечете се подходящо. Не носете свободни дрехи или бижута. Дръжте косата, дрехите и ръкавиците си далеч от движещите се части. Свободните дрехи, бижутата и/или дългата коса могат да бъдат захванати от движещите се части.
- Ако има устройства за извличане и събиране на прах, уверете се, че те са свързани и се използват правилно. Използването на тези устройства може да намали опасностите, свързани с праха.
- Не позволявайте на познанието, придобито от честото използване на инструментите, да ви позволи да станете самодоволни и да пренебрегнете правилата за безопасност на инструментите. Едно невнимателно действие може да доведе до сериозно нараняване за част от секундата.

Използване и грижа за електроинструменти

- Не насилвайте електроинструмента. Използвайте подходящия електроинструмент за всяко приложение. Правилният електроинструмент винаги ще свърши работата по-добре и по-безопасно, когато се използва както е предвидено.
- Не използвайте електроинструмента, ако превключвателят не го активира или деактивира. Всеки електроинструмент, който не може да се управлява с превключвателя, е изключително опасен и трябва да се ремонтира.
- Изключете главния щепсел от източника на захранване и/или акумулаторната батерия от електроинструмента, преди да сменят аксесоари, да извършват каквито и да било настройки или да съхраняват електроинструмента. Тези превантивни мерки за безопасност ще намалят риска от случайно стартиране на електроинструмента.
- Когато електроинструментът не се използва, съхранявайте го на място, недостъпно за деца, и не позволявайте на лица, които не са запознати с електроинструмента или с тези инструкции, да го използват и да работят с него. Електроинструментите са изключително опасни в ръцете на необучени потребители.
- Поддържайте електроинструмента. Проверявайте за несъсност или обвързване на движещите се части, счупване на части, течове и всякакви други проблеми, които могат да повлияят на работата на електроинструмента. Ако е повреден, поправете електроинструмента преди употреба. Много злополуки и наранявания са причинени от лошо поддържани електроинструменти.
- Поддържайте режещите части на електроинструмента остри и чисти. Правилно поддържаните режещи инструменти с остри режещи ръбове е по-малко вероятно да се заклещат и са по-прецизни и по-лесни за управление.
- Винаги използвайте електроинструмента, принадлежностите, крайниците и т.н. в съответствие с инструкциите в това ръководство за експлоатация, като се съобразявате с условията на работа и работата, която трябва да се извърши. Използването на електроинструмента за приложения, различни от предвидените, може да доведе до телесни повреди или да причини повреда на електроинструмента.
- Поддържайте дръжките и всички повърхности за хващане на електроинструмента сухи, чисти и без масла и мазнини. Хлъзгавите дръжки и повърхности за хващане не позволяват безопасно боравене с инструмента при неочаквани обстоятелства.

Използване и грижа за акумулаторните инструменти

- Зареждайте батериите само със зарядното устройство, посочено от производителя. Зарядно устройство, което се използва за зареждане на неподходящи батерии, може да създаде риск от пожар.
- Използвайте електроинструмента само със специално предназначения за целта батерии. Използването на други акумулаторни батерии може да доведе до риск от нараняване и пожар.
- Когато батерията не се използва, я дръжте далеч от други метални предмети, като например щипки за хартия, монети, ключове, пирони, винтове или други малки метални предмети, които могат да направят връзка между един и друг терминал.
- Късото съединяване на клемите на акумулатора може да доведе до изгаряния или пожар.
- При неблагоприятни условия от батерията може да се изхвърли течност; избягвайте контакт. Ако случайно се стигне до контакт, изплакнете с вода. Ако течността попадне в очите, незабавно потърсете медицинска помощ. Течността, изхвърлена от батерията, може да причини дразнене или изгаряния.
- Не използвайте акумулаторна батерия, която е повредена или модифицирана. Повредените или модифицирани батерии може да не функционират по предназначение, което може да доведе до пожар или експлозия.
- Не излагайте акумулаторната батерия на огън или прекомерни температури. Излагането на огън или на температури над 130°C може да доведе до експлозия.
- Спазвайте всички инструкции за зареждане и не зареждайте батерията извън температурния диапазон, посочен в инструкциите. Неправилното зареждане или зареждането при температури извън посочения диапазон може да повреди батерията и да увеличи риска от пожар.

Услуга

- Възложете сервизното обслужване на електроинструмента на квалифициран сервизен персонал, като използвате само идентични резервни части. Това ще гарантира, че безопасността на електроинструмента е поддържана.
- Никога не се опитвайте сами да ремонтирате повредени акумулаторни батерии. Сервизното обслужване на акумулаторните батерии трябва да се извършва само от производителя или от оторизиран сервиз техника.

ПРЕДНАЗНАЧЕНА ПОЛЗА

Това устройство е подходящо за подрязване на градини, храсти, малки клони, рязане на дървесина, широко използвано в градини, паркове, ферми, магистрали, пасища, овощни градини, оранжерии. Всяка друга употреба или модификация на машината се счита за неправилна употреба и може да доведе до сериозни телесни повреди.

Не се поема отговорност за щети, причинени от неспазване на тези инструкции или от друга неправилна употреба или неправилно боравене с устройството.

ТЕХНИЧЕСКИ СПЕЦИФИКАЦИИ

Технически данни	
Модел	BVP3917C
Мотор, напрежение	Brushless (безчетков), 20V
Ширина	15 см
Скорост на веригата	10 m/s
Размер на веригата	1/4" (1,1 мм), 37 връзки
Система за смазване	да
Тегло на машината	1 кг (без батерия)

*Батерия не е включена.

* Производителят си запазва правото да прави незначителни промени в дизайна и техническите спецификации на продуктите без предварително уведомление, освен ако тези промени не засягат значително работата и безопасността на продуктите. Частите, описани/илюстрирани на страниците на ръководството, което държите в ръцете си, може да се отнасят и за други модели от продуктовата линия на производителя с подобни характеристики и може да не са включени в току-що придобития от вас продукт.

* За да се гарантира безопасността и надеждността на продукта и валидността на гаранцията, всички работи по ремонт, проверка или замяна, включително поддръжка и специални настройки, трябва да се извършват само от техници от оторизирания сервизен отдел на производителя.

* Винаги използвайте продукта с доставеното оборудване. Работата на продукта с оборудване, което не е доставено, може да доведе до неизправности или дори до сериозни наранявания или смърт. Производителят и вносителят не носят отговорност за наранявания и щети, възникнали в резултат на използването на несъответстващо на изискванията оборудване.

Рязане

- Когато уредът работи, дръжте другата си ръка на разстояние най-малко 15 см от зоната на рязане на острието.
- За да осигурите по-дълъг живот на верижния трион, не претоварвайте устройството и не режете клони с диаметър, по-голям от 15 см.
- За да предпазите батерията от студено или влажно време, поставете я под непромокаемо облекло.
- След приключване на рязането изключете батерията от електрическия контакт.
- Не използвайте това оборудване при дъжд.

ПОДДРЪЖКА И ПОЧИСТВАНЕ



Преди почистване и поддръжка винаги изключвайте машината и изваждайте батерията от инструмента.

- Почиствайте внимателно веригата след всяка употреба.
- Избършете веригата със смазочно масло (масло за остриета или подобен тип) и я напръскайте със спрей за защита на метала.
- Не пръскайте оборудването с вода.
- Почиствайте редовно корпуса на машината с мека кърпа, за предпочитане след всяка употреба.
- Поддържайте вентилатора, отделението на двигателя и дръжката на инструмента чисти.
- Отстранете упоритите замърсявания с мека кърпа, навлажнена със сапун. Не използвайте разтворители като бензин, алкохол, амоняк и др.
- Подобни химикали ще повредят синтетичните компоненти.



Околна среда

Дефектното и/или излязло от употреба електрическо или електронно оборудване трябва да се събира в съответните пунктове за рециклиране.

ЕКОЛОГИЧНО ОБЕЗВРЕЖДАНЕ

За да се избегнат повреди при транспортиране, инструментът трябва да се достави в здрава опаковка. Опаковката, както и устройството и аксесоарите, са изработени от рециклируеми материали и могат да бъдат изхвърлени по съответния начин. Пластмасовите компоненти на инструмента са маркирани според материала, от който са изработени, което прави възможно отстраняването на екологични и диференцирани поради наличните съоръжения за събиране.



Само за страни от ЕС

Не изхвърляйте електрически инструменти заедно с битови отпадъци!

В съответствие с Европейската директива 2002/96/ЕО относно отпадъците от електрическо и електронно оборудване и нейното прилагане в съответствие с националното законодателство, електрическите инструменти, чийто живот е изтекъл, трябва да се събират отделно и да се връщат в екологично съвместимо съоръжение за рециклиране.



INSTRUCȚIUNI DE SIGURANȚĂ



Avertisment: Citiți cu atenție manualul înainte de utilizare. Nerespectarea avertismentelor și instrucțiunilor poate duce la deteriorarea sculei, vătămări corporale și/sau daune materiale. Păstrați manualul într-un loc sigur pentru consultări viitoare.

Simboluri



Purtați ochelari de protecție.



Purtați protecție auditivă.



Purtați încălțăminte de siguranță, antiderapantă.



Purtați mănuși de protecție.



Purtați o mască de protecție.



Purtați o cască de protecție.

Avertismente generale de siguranță pentru scule electrice

- Ungeți lanțul cu ulei în mod regulat. Este foarte recomandat să folosiți ulei pentru lame.
- Nu tăiați ramuri și lemne cu diametrul mai mare de 15 cm sau materiale prea dure.
- Mențineți tensiunea lanțului la nivelul corespunzător. Nu strângeți excesiv lanțul.
- Dacă utilizați unealta pentru o perioadă lungă de timp și se încălzește, opriți-vă.
- Nu utilizați instrumentul în scopuri neintenționate.
- Nu lăsați mănușile în apropierea oricărei suprafețe din plastic. Mănușile pot fi arse la temperaturi ridicate.

Siguranța zonei de lucru

- Păstrați zona de lucru curată și bine luminată. Zonele întunecate sau dezordonate pot duce la accidente.
- Nu folosiți uneltele electrice în atmosfere explozive, cum ar fi în prezența unor lichide sau vapori inflamabili, gaze sau praf. Uneltele electrice ar putea crea scânteii care ar putea aprinde gazele sau vaporii.
- Păstrați copiii și persoanele aflate în preajmă la o distanță sigură în timpul utilizării sculei electrice.

Siguranța electrică

- Asigurați-vă că fișele de conectare a sculelor electrice se potrivesc cu priza. Nu modificați niciodată fișa în niciun fel. Nu utilizați fișe adaptoare cu uneltele electrice cu împământare. Utilizarea unor fișe nemodificate și a unor prize potrivite va reduce riscul de electrocutare.
- Evitați contactul corpului cu materiale sau obiecte legate la pământ sau împământate, cum ar fi radiatoare, țevi, cuptoare și frigidere. Există un risc enorm de electrocutare șoc dacă corpul dumneavoastră este legat la pământ sau împământat.
- Nu expuneți uneltele electrice la ploaie sau în orice alte condiții de umezeală. Apa care pătrunde într-o unealtă electrică ar putea crește riscul de electrocutare.
- Nu abuzați de cablul de alimentare. Nu utilizați niciodată cablul pentru a transporta, trage sau deconecta scula electrică. Păstrați cablul la o distanță sigură de căldură, ulei, margini ascuțite și orice piese în mișcare. Cablurile deteriorate sau încurcate vor crește riscul de electrocutare.
- Atunci când folosiți o unealtă electrică în aer liber, utilizați un cablu prelungitor care are specificațiile corespunzătoare pentru utilizarea în aer liber.
- Utilizarea unui prelungitor cablu adecvat pentru utilizare în aer liber reduce riscul de electrocutare.
- Dacă nu se poate evita utilizarea unei scule electrice într-un loc umed, utilizați o sursă de alimentare protejată de un dispozitiv de curent rezidual (RCD). Utilizarea unui RCD reduce riscul de șoc electric.

Siguranța personală

- Rămâneți în alertă, urmăriți ceea ce faceți și folosiți bunul simț atunci când folosiți scula electrică. Nu utilizați scula electrică dacă vă simțiți obosit sau dacă vă aflați sub influența alcoolului, a drogurilor sau a medicamentelor. Un moment de neatenție în timpul utilizării sculei electrice poate avea ca rezultat vătămări corporale grave.
- Utilizați echipament de protecție personală. Purtați întotdeauna protecție pentru ochi. Echipamentul de protecție, cum ar fi masca de protecție împotriva prafului, protecția auditivă, pantofii de siguranță antiderapanți sau căștile de protecție, utilizate în condiții adecvate, vor reduce riscul de a suferi vătămări corporale.
- Preveniți pornirea neintenționată. Asigurați-vă că întrerupătorul de alimentare este în poziția oprit înainte de a conecta la sursa de alimentare și/sau la pachetul de baterii, de a ridica sau de a transporta scula electrică. Transportarea uneltelor electrice cu degetul pe întrerupătorul de alimentare sau conectarea uneltelor electrice care au întrerupătorul în poziția pornit la o sursă de alimentare poate duce la accidente.
- Îndepărtați orice chei sau chei de reglare înainte de a porni scula electrică. O cheie de reglare sau o cheie rămasă atașată la o parte rotativă a sculei electrice poate provoca vătămări corporale.
- Nu exagerați. Păstrați în permanență echilibrul și o poziție corectă. Acest lucru ajută operatorul să aibă un control mai bun al sculei electrice în situații neprevăzute.
- Îmbrăcați-vă corespunzător. Nu purtați haine largi sau bijuterii. Țineți-vă părul, hainele și mănușile departe de orice piese în mișcare. Hainele largi, bijuteriile și/sau părul lung pot fi prinse în piesele în mișcare.
- În cazul în care există dispozitive de aspirare și colectare a prafului, asigurați-vă că acestea sunt conectate și utilizate corect. Utilizarea acestor dispozitive poate reduce pericolele legate de praf.
- Nu lăsați ca familiaritatea dobândită prin utilizarea frecventă a uneltelor să vă permită să vă lăsați în voia întâmplării și să ignorați regulile de siguranță. O singură acțiune neglijentă poate provoca vătămări grave într-o fracțiune de secundă.

Utilizarea și îngrijirea sculelor electrice

- Nu forțați scula electrică. Folosiți scula electrică potrivită pentru fiecare aplicație. Unealta electrică corectă va face întotdeauna treaba mai bine și mai sigur atunci când este utilizată așa cum era prevăzut.
- Nu utilizați scula electrică dacă întrerupătorul nu o activează sau dezactivează. Orice unealtă electrică care nu poate fi controlată cu ajutorul comutatorului este extrem de periculoasă și trebuie reparată.
- Deconectați ștecherul principal de la sursa de alimentare și/sau acumulatorul de la scula electrică înainte de a schimba accesoriile, de a face orice reglaje sau de a depozita scula electrică. Astfel de măsuri preventive de siguranță vor reduce riscul de pornire accidentală a sculei electrice.
- Atunci când scula electrică nu este utilizată, depozitați-o în afara razei de acțiune a copiilor și nu permiteți persoanelor care nu sunt familiarizate cu scula electrică sau cu aceste instrucțiuni să utilizeze și să opereze scula electrică. Unelele electrice sunt extrem de periculoase în mâinile unor utilizatori neinstruiți.
- Întrețineți scula electrică. Verificați dacă piesele în mișcare nu sunt nealiniate sau blocate, dacă piesele sunt rupte, dacă există scurgeri și orice altă problemă care poate afecta funcționarea sculei electrice. Dacă este deteriorată, reparați scula electrică înainte de utilizare. Multe accidente și răni sunt cauzate de unelele electrice întreținute necorespunzător.
- Păstrați piesele tăietoare ale sculei electrice ascuțite și curate. Unelele de tăiere întreținute corespunzător, cu muchii de tăiere ascuțite, sunt mai puțin susceptibile de a se bloca și sunt mai precise și mai ușor de controlat.
- Utilizați întotdeauna scula electrică, accesoriile și biții de scule etc. în conformitate cu instrucțiunile din acest manual de instrucțiuni, ținând cont de condițiile de lucru și de lucrările care urmează să fie efectuate. Utilizarea sculei electrice pentru aplicații diferite de cele prevăzute ar putea duce la vătămări corporale sau la deteriorarea sculei electrice.
- Păstrați mânerul și toate suprafețele de prindere ale sculei electrice uscate, curate și lipsite de ulei și grăsime. Mânerul și suprafețele de prindere alunecoase nu permit manevrarea în siguranță a sculei în circumstanțe neprevăzute.

Utilizarea și îngrijirea uneltelor cu baterii

- Reîncărcați bateriile numai cu încărcătorul specificat de producător. Un încărcător care este utilizat pentru a încărca baterii nepotrivite poate crea un risc de incendiu.
- Folosiți scula electrică numai cu acumulatorii special prevăzuți. Utilizarea oricărui alte pachete de baterii poate crea un risc de rănire și de incendiu.
- Atunci când acumulatorul nu este utilizat, păstrați-l departe de alte obiecte metalice, cum ar fi agrafe de hârtie, monede, chei, cuie, șuruburi sau alte obiecte metalice mici care pot face o conexiune de la un terminal la altul.
- Scurtcircuitarea terminalelor bateriei poate provoca arsuri sau incendii.
- În condiții abuzive, din baterie poate ieși lichid; evitați contactul. Dacă se produce accidental un contact, spălați cu apă. Dacă lichidul intră în contact cu ochii, solicitați imediat asistență medicală. Lichidul ejectat din baterie poate provoca iritații sau arsuri.
- Nu utilizați un acumulator deteriorat sau modificat. Este posibil ca bateriile deteriorate sau modificate să nu funcționeze conform destinației, ceea ce poate duce la incendiu sau explozie.
- Nu expuneți un pachet de baterii la foc sau la temperaturi excesive. Expunerea la foc sau la temperaturi de peste 130°C poate provoca o explozie.
- Respectați toate instrucțiunile de încărcare și nu încărcați acumulatorul în afara intervalului de temperatură specificat în instrucțiuni. Încărcarea necorespunzătoare sau la temperaturi în afara intervalului specificat poate deteriora bateria și crește riscul de incendiu.

Serviciul

- Trimiteți scula electrică la service de către personal calificat, folosind numai piese de schimb identice. Acest lucru va asigura că siguranța sculei electrice este menținut.
- Nu încercați niciodată să reparați singuri acumulatorii deteriorați. Întreținerea pachetelor de baterii trebuie efectuată numai de către producător sau de către un service autorizat tehnicieni.

UTILIZARE INTENȚIONATĂ

Acest dispozitiv este potrivit pentru tăierea grădinilor, a arbuștilor, a ramurilor mici, a lemnului de tăiere, utilizat pe scară largă în grădini, parcuri, ferme, autostrăzi, pășuni, livezi, sere. Orice altă utilizare sau modificare a aparatului este considerată utilizare necorespunzătoare și poate duce la vătămări corporale grave. Nu poate fi acceptată nicio răspundere pentru orice daune cauzate de nerespectarea acestor instrucțiuni sau de orice altă utilizare necorespunzătoare sau manipulare necorespunzătoare a dispozitivului.

SPECIFICAȚII TEHNICE

Date tehnice	
Model	BBP3917C
Motor, Tensiune	Brushless (fără perii), 20 V
Lama	15 cm
Viteza lanțului	10 m/s
Dimensiunea lanțului	1/4" (1,1 mm), 37 de legături
Sistem de lubrifiere	Da
Greutatea mașinii	1 kg (fără bateria)

* Producătorul își rezervă dreptul de a aduce modificări minore la designul și specificațiile tehnice ale produsului fără notificare prealabilă, cu excepția cazului în care aceste modificări afectează în mod semnificativ performanța și siguranța produselor. Piesele descrise / ilustrate în paginile manualului pe care îl țineți în mâini pot viza și alte modele din linia de produse ale producătorului cu caracteristici similare și pot să nu fie incluse în produsul pe care tocmai l-ați achiziționat.

* Pentru a asigura siguranța și fiabilitatea produsului, precum și valabilitatea garanției, toate lucrările de reparații, inspecții sau înlocuiri, inclusiv întreținerea și reglajele speciale, trebuie să fie efectuate numai de către tehnicieni ai departamentului de service autorizat al producătorului.

* Utilizați întotdeauna produsul cu echipamentul furnizat. Utilizarea produsului cu echipamente care nu sunt furnizate poate cauza defecțiuni sau chiar vătămări grave sau chiar moartea. Producătorul și importatorul nu sunt răspunzători pentru vătămările și daunele rezultate din utilizarea unui echipament neconform.

*Fără baterie inclusă

Tăiere

- Când aparatul este în funcțiune, țineți cealaltă mână la cel puțin 15 cm distanță de zona de tăiere a lamei.
- Pentru a asigura o durată de viață mai lungă a motoferăstrăului, nu suprasolicitați dispozitivul și nu tăiați ramuri cu diametrul mai mare de 15 cm.
- Pentru a proteja bateria de vremea rece sau umedă, puneți-o sub haine impermeabile.
- Deconectați bateria de la priza de perete după ce ați terminat tăierea.
- Nu utilizați acest echipament pe ploaie.

ÎNTREȚINERE ȘI CURĂȚARE

- ⚠** Înainte de curățare și întreținere, opriți întotdeauna mașina și scoateți bateria din sculă.
- Curățați lanțul cu grijă după fiecare utilizare.
 - Ștergeți lanțul cu ulei de lubrifiere (ulei de lamă sau alte tipuri similare) și pulverizați cu spray de protecție a metalelor.
 - Nu pulverizați echipamentul cu apă.
 - Curățați periodic carcasa aparatului cu o cârpă moale, de preferință după fiecare utilizare.
 - Păstrați curat ventilatorul, compartimentul motorului și mânerul sculei.
 - Îndepărtați murdăria persistentă cu ajutorul unei cârpe moi umezite cu săpun. Nu utilizați solvenți precum benzina, alcoolul, amoniacul etc. Astfel de substanțe chimice vor deteriora componentele sintetice.
- ⚠** Mediu
Echipamentele electrice sau electronice defecte și/sau scoase din uz trebuie colectate la punctele de reciclare corespunzătoare.

ELIMINAREA MEDIULUI

Pentru a evita deteriorările în timpul transportului, scula trebuie să fie livrată într-un ambalaj solid. Ambalajul, precum și unitatea și accesoriile sunt fabricate din materiale reciclabile și pot fi eliminate în mod corespunzător. Componentele din plastic ale uneltei sunt marcate în funcție de materialul lor, ceea ce face posibilă îndepărtarea ecologică și diferențiată datorită facilităților de colectare disponibile.



Numai pentru țările UE

Nu aruncați sculele electrice împreună cu deșeurile menajere!

În conformitate cu Directiva europeană 2002/96/CE privind deșeurile de echipamente electrice și electronice și cu punerea în aplicare a acestora în conformitate cu legislația națională, uneltele electrice care au ajuns la sfârșitul duratei lor de viață trebuie colectate separat și returnate la o instalație de reciclare compatibilă cu mediul.



SIGURNOSNE UPUTE



Upozorenje: Pažljivo pročitajte priručnik prije uporabe. Nepoštivanje upozorenja i uputa može rezultirati oštećenjem alata, fizičkim ozljedama i/ili oštećenjem imovine. Pohanite priručnik na sigurno mjesto za buduću upotrebu.

Simboli



Nosite zaštitu za oči.



Nosite zaštitu za sluh.



Nosite sigurnosnu obuću koja se ne kliže.



Nosite zaštitne rukavice.



Nosite sigurnosnu masku.



Nosite zaštitnu kacigu.

Opća sigurnosna upozorenja za električni alat

- Redovito podmazujte lanac. Vrlo je preporučljivo koristiti ulje za oštrice.
- Ne režite grane i drvo promjera većeg od 15 cm ili pretvrde materijale.
- Održavajte napetost lanca na odgovarajućoj razini. Nemojte previše zatezati lanac.
- Ako dugo koristite alat i postane vruć, prestanite.
- Nemojte koristiti alat u nepredviđene svrhe.
- Ne ostavljajte rukavice blizu plastične površine. Rukavice se mogu opeći na visokim temperaturama.

Sigurnost radnog područja

- Održavajte radni prostor čistim i dobro osvijetljenim. Tamna ili pretrpana područja mogu dovesti do nezgoda.
- Nemojte raditi s električnim alatima u eksplozivnoj atmosferi, kao što je prisutnost zapaljivih tekućina ili para, plinova ili prašine. Električni alati mogu stvoriti iskre koje mogu zapaliti plinove ili pare.
- Držite djecu i promatrače na sigurnoj udaljenosti tijekom rada s električnim alatom.

Električna sigurnost

- Provjerite odgovaraju li utikači električnog alata utičnici. Nikada ni na koji način ne mijenjajte utikač. Ne koristite adapterske utikače s uzemljenim električnim alatima. Korištenje nepromijenjenih utikača i odgovarajućih utičnica smanjit će rizik od strujnog udara.
- Izbjegavajte kontakt tijela s uzemljenim ili uzemljenim materijalima ili predmetima, kao što su radijatori, cijevi, štednjaci i hladnjaci. Postoji ogroman rizik od strujnog udara ako je vaše tijelo uzemljeno.
- Ne izlažite električne alate kiši ili drugim vlažnim uvjetima. Ulazak vode u električni alat može povećati rizik od strujnog udara.
- Ne zlorabite kabel za napajanje. Nikada nemojte koristiti kabel za nošenje, povlačenje ili isključivanje električnog alata. Držite kabel na sigurnoj udaljenosti od topline, ulja, oštrih rubova i bilo kojih pokretnih dijelova. Oštećeni ili zapetljani kabeli povećavaju rizik od strujnog udara.
- Kada radite s električnim alatom na otvorenom, koristite produžni kabel koji ima odgovarajuće specifikacije za vanjsku uporabu. Korištenje produžnog kabela prikladnog za vanjsku upotrebu smanjuje rizik od strujnog udara.
- Ako se rad električnog alata na vlažnom mjestu ne može izbjeći, koristite napajanje zaštićeno uređajem za zaostalu struju (RCD). Korištenje RCD-a smanjuje rizik od strujnog udara.

Osobna sigurnost

- Budite oprezni, pazite što radite i koristite zdrav razum dok radite s električnim alatom. Nemojte koristiti električni alat ako se osjećate umorno ili ste pod utjecajem alkohola, droga ili lijekova. Trenutak nepažnje tijekom rada s električnim alatom može rezultirati ozbiljnom ozljedom.
- Koristite osobnu zaštitnu opremu. Uvijek nosite zaštitu za oči. Zaštitna oprema kao što je maska za prašinu, zaštita za sluh, sigurnosne cipele koje se ne kližu ili zaštitne kacige, koja se koristi u odgovarajućim uvjetima, smanjit će rizik od osobnih ozljeda.
- Spriječite nenamjerno pokretanje. Prije spajanja na izvor napajanja i/ili baterije, podizanja ili nošenja električnog alata provjerite je li prekidač napajanja u isključenom položaju. Nošenje električnih alata s prstom na prekidaču ili spajanje električnih alata koji imaju prekidač u položaju uključeno na izvor struje može dovesti do nezgoda.
- Uklonite sve ključeve za podešavanje ili ključeve prije nego što uključite električni alat. Ključ za podešavanje ili ključ ostavljen na rotirajućem dijelu električnog alata može dovesti do ozljeda.
- Nemojte pretjerivati. Održavajte ravnotežu i pravilan oslonac cijelo vrijeme. To pomaže operateru da ima bolju kontrolu nad električnim alatom u neočekivanim situacijama.
- Odjenite se kako treba. Ne nosite široku odjeću ili nakit. Držite kosu, odjeću i rukavice dalje od pokretnih dijelova. Široka odjeća, nakit i/ili duga kosa mogu biti zahvaćeni pokretnim dijelovima.
- Ako postoje uređaji za usisavanje i sakupljanje prašine, provjerite jesu li pravilno priključeni i koriste li se. Korištenje ovih uređaja može smanjiti opasnosti povezane s prašinom.
- Ne dopustite da vam poznavanje stečeno čestom uporabom alata omogući da postanete samozadovoljni i zanemarite pravila o sigurnosti alata. Jedan nepažljiv postupak može uzrokovati ozbiljne ozljede u djeliću sekunde.

Upotreba i njega električnih alata

- Ne forsirajte električni alat. Koristite ispravan električni alat za svaku primjenu. Ispravan električni alat uvijek će bolje i sigurnije obaviti posao ako se koristi prema namjeni.
- Ne koristite električni alat ako se prekidač ne okreće za uključivanje ili isključivanje. Svaki električni alat koji se ne može kontrolirati prekidačem izuzetno je opasan i mora se popraviti.
- Isključite glavni utikač iz izvora napajanja i/ili bateriju iz električnog alata prije mijenjanja pribora, bilo kakvih podešavanja ili spremanja električnog alata. Takve preventivne sigurnosne mjere smanjit će rizik od slučajnog pokretanja električnog alata.
- Kada električni alat nije u uporabi, pohranite ga izvan dohvata djece i ne dopustite osobama koje nisu upoznate s električnim alatom ili ovim uputama da koriste i rukuju električnim alatom. Električni alati su izuzetno opasni u rukama neobučanih korisnika.
- Održavajte električni alat. Provjerite neusklađenost ili zaglavljivanje pokretnih dijelova, lomljenje dijelova, curenje i sve druge probleme koji mogu utjecati na rad električnog alata. Ako je električni alat oštećen, dajte ga popraviti prije uporabe. Mnoge nesreće i ozljede uzrokuju loše održavani električni alati.
- Održavajte rezne dijelove električnog alata oštima i čistima. Pravilno održavani rezni alati s oštrim reznim rubovima manje će se zaglaviti, precizniji su i lakši za upravljanje.
- Uvijek koristite električni alat, pribor i alate itd. u skladu s uputama ovog priručnika s uputama, uzimajući u obzir radne uvjete i posao koji treba obaviti. Korištenje električnog alata za namjene koje nisu predviđene može rezultirati ozljedama ili oštetiti električni alat.
- Držite ručke i sve površine za hvatanje električnog alata suhima, čistima i bez ulja i masti. Skliske ručke i površine za hvatanje ne dopuštaju sigurno rukovanje alatom u neočekivanim okolnostima.

Korištenje i održavanje baterijskog alata

- Baterije punite samo punjačem koji je naveo proizvođač. Punjač koji se koristi za punjenje neprikladnih baterija može stvoriti opasnost od požara.
- Koristite električni alat samo sa za to predviđenim baterijama. Korištenje bilo kojeg drugog paketa baterija može stvoriti opasnost od ozljeda i požara.
- Kada se baterija ne koristi, držite je podalje od drugih metalnih predmeta, poput spjalica, kovanica, ključeva, čavala, vijaka ili drugih malih metalnih predmeta koji mogu uspostaviti vezu s jednog terminala na drugi.
- Kratki spoj polova baterije može izazvati opekline ili požar.
- U uvjetima zlouporabe, iz baterije može iscuriti tekućina; izbjegavajte kontakt. Ako slučajno dođe do kontakta, isperite vodom. Ako tekućina dođe u kontakt s očima, odmah potražite liječničku pomoć. Tekućina koja izlazi iz baterije može izazvati iritaciju ili opekline.
- Nemojte koristiti bateriju koja je oštećena ili modificirana. Oštećene ili modificirane baterije možda neće raditi kako treba, što može dovesti do požara ili eksplozije.
- Ne izlažite bateriju vatri ili visokim temperaturama. Izlaganje vatri ili temperaturama iznad 130°C može izazvati eksploziju.
- Slijedite sve upute za punjenje i nemojte puniti bateriju izvan temperaturnog raspona navedenog u uputama. Neispravno punjenje ili punjenje na temperaturama izvan navedenog raspona može oštetiti bateriju i povećati rizik od požara.

Servis

- Neka električni alat servisira kvalificirano servisno osoblje, koristeći samo identične zamjenske dijelove. To će osigurati očuvanje sigurnosti električnog alata.
- Nikada ne pokušavajte sami popraviti oštećene baterije. Servisiranje baterijskih paketa smije obavljati samo proizvođač ili ovlašteni serviser.

NAMIJENJENU UPOTREBU

Ovaj uređaj je prikladan za obrezivanje vrtova, grmlja, malih grana, rezanje drva, široko se koristi u vrtovima, parkovima, farmama, autocestama, pašnjacima, voćnjacima, staklenicima. Svaka druga uporaba ili modifikacija stroja smatra se nepravilnom uporabom i može dovesti do ozbiljnih osobnih ozljeda.

Ne može se prihvatiti nikakva odgovornost za bilo kakvu štetu uzrokovanu nepoštivanjem ovih uputa ili bilo kakvom drugom nepravilnom uporabom ili lošim rukovanjem uređajem.

TEHNIČKE SPECIFIKACIJE

Tehnički podaci	
Model	BBP3917C
Motor, Napon	Brushless (bez četkica), 20 V
Vodilica	15 cm
Brzina lanca	10 m/s
Veličina lanca	1/4" (1,1 mm), 37 karika
Sustav podmazivanja	Da
Težina stroja	1 kg, bez baterije

* Proizvođač zadržava pravo na manje izmjene u dizajnu proizvoda i tehničkim specifikacijama bez prethodne najave, osim ako te promjene značajno utječu na performanse i sigurnost proizvoda. Dijelovi opisani / ilustrirani na stranicama priručnika koje držite u rukama također se mogu odnositi na druge modele proizvođačeve linije proizvoda sa sličnim značajkama i možda neće biti uključeni u proizvod koji ste upravo nabavili.

* Kako bi se osigurala sigurnost i pouzdanost proizvoda i valjanost jamstva, sve popravke, inspeksijske ili zamjenske radove, uključujući održavanje i posebne prilagodbe, smiju obavljati samo tehničari ovlaštenog servisnog odjela proizvođača.

* Uvijek koristite proizvod s isporučenom opremom. Rad proizvoda s neiskorištenom opremom može uzrokovati kvarove ili čak ozbiljne ozljede ili smrt. Proizvođač i uvoznik nisu odgovorni za ozljede i štete nastale uporabom nesukladne opreme.

*Baterija nije uključena.

Rezanje

- Kada uređaj radi, drugu ruku držite najmanje 15 cm od područja rezanja oštrice.
- Kako biste osigurali duži vijek trajanja motorne pile, nemojte preopteretiti uređaj i ne režite grane veće od 15 cm u promjeru.
- Kako biste bateriju zaštitili od hladnog ili vlažnog vremena, stavite je pod vodootpornu odjeću.
- Isključite bateriju iz zidne utičnice nakon završetka rezanja.
- Ne koristite ovu opremu po kiši.

ODRŽAVANJE I ČIŠĆENJE

- ⚠** Prije čišćenja i održavanja uvijek isključite stroj i izvadite bateriju iz alata.
- Pažljivo očistite lanac nakon svake uporabe.
 - Obrišite lanac uljem za podmazivanje (uljem za oštrice ili sličnim vrstama) i poprskajte sprejom za zaštitu metala.
 - Ne prskajte opremu vodom.
 - Kućište stroja redovito čistite mekom krpom, najbolje nakon svake uporabe.
 - Održavajte ventilator, motorni prostor i ručku alata čistima.
 - Uklonite tvrdokornu prljavštinu mekom krpom navlaženom sapunom. Nemojte koristiti otapala poput benzina, alkohola, amonijaka itd. Kemikalije poput ovih oštetiće sintetičke komponente.
- ⚠** Okoliš
Neispravnu i/ili odbačenu električnu ili elektroničku opremu treba prikupiti na odgovarajućim mjestima za recikliranje.

EKOLOŠKO ODLAGANJE

Kako bi se izbjegla oštećenja tijekom transporta, alat se mora isporučiti u čvrstoj ambalaži. Pakiranje, kao i jedinica i pribor izrađeni su od materijala koji se mogu reciklirati i mogu se na odgovarajući način zbrinuti. Plastične komponente alata označene su prema materijalu iz kojeg su izrađene, što omogućuje ekološki prihvatljivo i različito uklanjanje zbog dostupnih objekata za prikupljanje.



Samo za zemlje EU

Ne odlažite električne alate zajedno s kućnim otpadom!

U skladu s europskom Direktivom 2002/96/EC o otpadnoj električnoj i elektroničkoj opremi i njenom provedbom u skladu s nacionalnim zakonom, električni alati koji su došli do kraja svog životnog vijeka moraju se skupljati odvojeno i vraćati u ekološki prihvatljivo postrojenje za recikliranje.



BIZTONSÁGI UTASÍTÁSOK



Figyelmeztetés: Használat előtt figyelmesen olvassa el a használati útmutatót. A figyelmeztetések és utasítások figyelmen kívül hagyása a szerszám sérülését, testi sérülést és/vagy anyagi kárt okozhat. Tárolja a kézikönyvet biztonságos helyen a későbbi használatra.

Szimbólumok



Viseljen szemvédőt.



Viseljen hallásvédőt.



Viseljen biztonsági, csúszásmentes lábbelit.



Viseljen védőkesztyűt.



Viseljen védőmaszkot.



Viseljen védősisakot.

Általános figyelmeztetések az elektromos szerszámok biztonságára

- Rendszeresen olajozza be a láncot. A pengékhez erősen ajánlott olajat használni.
- Ne vágjon 15 cm-nél (6 hüvelyknél) nagyobb átmérőjű ágakat és faanyagokat, illetve túl kemény anyagokat.
- Tartsa a láncfeszességet a megfelelő szinten. Ne feszítse túl a láncot.
- Ha sokáig használja a szerszámot, és az felforrósodik, hagyja abba.
- Ne használja az eszközt nem rendeltetésszerű célokra.
- Ne hagyjon kesztyűt semmilyen műanyag felület közelében. A kesztyű magas hőmérsékleten megéghet.

Munkaterület biztonsága

- Tartsa a munkaterület tisztán és jól megvilágítva. A sötét vagy rendetlen területek balesetekhez vezethetnek.
- Ne működtesse az elektromos szerszámokat robbanásveszélyes környezetben, például gyúlékony folyadékok vagy füstök, gázok vagy por jelenlétében. Az elektromos szerszámok szikrákat hozhatnak létre, amelyek meggyújthatják a gázokat vagy füstöket.
- Az elektromos szerszám működtetése közben tartsa a gyermekeket és a közelben állókat biztonságos távolságban.

Elektromos biztonság

- Győződjön meg arról, hogy az elektromos szerszámok dugaszai illeszkednek a konnektorhoz. Soha ne módosítsa a dugót semmilyen módon. Ne használjon adapterdugót földelt elektromos szerszámokkal. A változatlan dugók és a megfelelő konnektorok használata csökkenti az áramütés veszélyét.
- Kerülje a test érintkezését földelt vagy földelt anyagokkal vagy tárgyakkal, például radiátorokkal, csövekkel, tűzhelyekkel és hűtőszekrényekkel. Óriási az elektromos áram veszélye. áramütés, ha a teste földelt vagy földelt.
- Ne tegye ki az elektromos szerszámokat esőnek vagy más nedves körülményeknek. Az elektromos szerszámba kerülő víz növelheti az áramütés veszélyét.
- Ne éljen vissza a tápkábelrel. Soha ne használja a kábelt az elektromos szerszám hordozására, húzására vagy kihúzására. Tartsa a kábelt biztonságos távolságban a hőtől, olajtól, éles szélektől és minden mozgó alkatrésztől. A sérült vagy összegabalyodott zsinór növeli az áramütés veszélyét.
- Ha elektromos szerszámot használ kültéren, olyan hosszabbító kábelt használjon, amely a kültéri használatra vonatkozó előírásoknak megfelel. Hosszabbító használata kültéri használatra alkalmas kábel csökkenti az áramütés veszélyét.
- Ha az elektromos szerszám nedves helyen történő üzemeltetése nem kerülhető el, használjon hibaáram-védett áramforrást (RCD). Az RCD használata csökkenti a következők kockázatát áramütés.

Személyes biztonság

- Maradjon éber, figyeljen arra, hogy mit csinál, és használja a józan esztét, amikor az elektromos szerszámot kezeli. Ne használja az elektromos szerszámot, ha fáradtnak érzi magát, vagy alkohol, kábítószer vagy gyógyszer hatása alatt áll. Egy pillanatnyi figyelmetlenség az elektromos szerszám működtetése közben súlyos személyi sérülést okozhat.
- Használjon egyéni védőfelszerelést. Mindig viseljen szemvédőt. A megfelelő körülmények között használt védőfelszerelések, mint például aporvédő maszk, a hallásvédelem, a csúszásmentes biztonságcipő vagy a védősisak, csökkenti a személyi sérülések kockázatát.
- Megakadályozza a véletlen indítást. Győződjön meg róla, hogy a hálózati kapcsoló kikapcsolt helyzetben van, mielőtt csatlakoztatja az áramforrást és/vagy az akkumulátort, felveszi vagy hordozza az elektromos szerszámot. Az elektromos szerszámok hordozása úgy, hogy az ujj a hálózati kapcsolón van, vagy olyan elektromos szerszámok csatlakoztatása áramforráshoz, amelyeknél a kapcsoló bekapcsolt helyzetben van, balesethez vezethet.
- Az elektromos szerszám bekapcsolása előtt távolítsa el a beállító kulcsokat vagy kulcsokat. Az elektromos szerszám forgó részéhez rögzített beállítókulcs vagy kulcs személyi sérülést okozhat.
- Ne essünk túlzásokba. tartsa meg az egyensúlyt és a megfelelő lábtartást. Ez segít a kezelőnek abban, hogy váratlan helyzetekben jobban tudja irányítani az elektromos szerszámot.
- Öltözzön megfelelően. Ne viseljen bő ruházatot vagy ékszereket. Tartsa távol haját, ruházatát és kesztyűjét a mozgó alkatrészekről. A laza ruhák, ékszerek és/vagy hosszú haj beakadhat a mozgó alkatrészekbe.
- Ha vannak porfelszívó és -gyűjtő eszközök, győződjön meg arról, hogy azok megfelelően vannak csatlakoztatva és használva. Ezen eszközök használata csökkentheti a porral kapcsolatos veszélyeket.
- Ne engedje, hogy a szerszámok gyakori használatából eredő ismeretség önelégültté váljon, és figyelmen kívül hagyja a szerszámok biztonsági szabályait. Egyetlen óvatlan mozdulat a másodperc tört része alatt súlyos sérülést okozhat.

Elektromos szerszámok használata és gondozása

- Ne erőltesse az elektromos szerszámot. Használja a megfelelő elektromos szerszámot az egyes alkalmazásokhoz. A megfelelő elektromos szerszám mindig jobban és biztonságosabban végzi el a munkát, ha a megfelelőt használja ahogyan azt tervezték.
- Ne használja az elektromos szerszámot, ha a kapcsoló nem kapcsolja be vagy ki. Minden olyan elektromos szerszám, amelyet nem lehet a kapcsolóval vezérelni, rendkívül veszélyes, és meg kell javítani.
- A tartozékok cseréje, bármilyen beállítás elvégzése vagy az elektromos szerszám tárolása előtt húzza ki a főcsatlakozót az áramforrásból és/vagy az akkumulátort az elektromos szerszámából. Az ilyen megelőző biztonsági intézkedések csökkentik az elektromos szerszám véletlenszerű beindításának kockázatát.
- Amikor az elektromos szerszámot nem használja, tárolja azt gyermekek számára elérhetetlen helyen, és ne engedje, hogy az elektromos szerszámot vagy a jelen használati utasítást nem ismerő személyek használják és kezeljék az elektromos szerszámot. Az elektromos szerszámok rendkívül veszélyesek a képzetlen felhasználók kezében.
- Karbantartja az elektromos szerszámot. Ellenőrizze a mozgó alkatrészek helytelen beállítását vagy kötését, az alkatrészek törését, szivárgást és minden más olyan problémát, amely befolyásolhatja az elektromos szerszámot. Sérülés esetén használat előtt javíttassa meg az elektromos szerszámot. Sok balesetet és sérülést okoznak a rosszul karbantartott elektromos szerszámok.
- Tartsa élesen és tisztán az elektromos szerszám vágó részeit. A megfelelően karbantartott, éles vágóélel rendelkező vágószerszámok kevésbé hajlamosak megakadni, pontosabbak és könnyebben irányíthatók.
- Az elektromos szerszámot, a tartozékokat és a szerszámhegyeket stb. mindig a jelen használati utasításban foglaltaknak megfelelően használja, figyelembe véve a munkakörülményeket és az elvégzendő munkát. Az elektromos szerszám rendeltetésétől eltérő felhasználása személyi sérülést okozhat, vagy az elektromos szerszám károsodását okozhatja.
- Tartsa az elektromos szerszám fogantyúit és fogófelületeit szárazon, tisztán, olaj- és zsímentesen. A csúszós fogantyúk és fogófelületek nem teszik lehetővé a szerszám biztonságos kezelését váratlan körülmények között.

Akkumulátoros szerszámok használata és ápolása

- Az akkumulátorokat csak a gyártó által megadott töltővel töltsse fel. A nem megfelelő akkumulátorok töltésére használt töltő tűzveszélyt okozhat.
- Az elektromos szerszámot csak a kifejezetten erre a célra szolgáló használja. Más akkumulátorcsomagok használata sérülés- és tűzveszélyt okozhat.
- Amikor az akkumulátor nem használatban van, tartsa távol más fémtárgyaktól, például gemkapcsoktól, érméktől, kulcsoktól, szögektől, csavaroktól vagy más apró fémtárgyaktól, amelyek kapcsolatot teremthetnek az egyik csatlakozóról a másikra.
- Az akkumulátor pólusainak rövidre zárása égési sérüléseket vagy tüzet okozhat.
- Visszaélészerű körülmények között az akkumulátorból folyadék ürülhet ki; kerülje az érintkezést. Ha véletlenül érintkezés történik, öblítse le vízzel. Ha a folyadék szembe kerül, azonnal forduljon orvoshoz. Az akkumulátorból kilövellő folyadék irritációt vagy égési sérüléseket okozhat.
- Ne használjon sérült vagy módosított akkumulátorcsomagot. A sérült vagy módosított akkumulátorok nem működhetnek rendeltetészerűen, ami tüzet vagy robbanást okozhat.
- Ne tegye ki az akkumulátorcsomagot tűznek vagy túlzott hőmérsékletnek. Tűznek vagy 130 °C feletti hőmérsékletnek való kitétel robbanást okozhat.
- Kövesse az összes töltési utasítást, és ne töltsse az akkumulátorcsomagot az utasításban megadott hőmérsékleti tartományon kívül. A nem megfelelő vagy a megadott tartományon kívüli hőmérsékleten történő töltés károsíthatja az akkumulátort, és növelheti a tűzveszélyt.

Szolgáltatás

- Az elektromos szerszámot csak azonos cserealkatrészek felhasználásával, szakképzett szervizszeméllyel szervizeltesse. Ez biztosítja az elektromos szerszám biztonságát. fenntartva.
- Soha ne próbálja meg saját maga megjavítani a sérült akkumulátorokat. Az akkumulátorok szervizelését csak a gyártó vagy a hivatalos szerviz végezheti el. technikusok.

SZÁNDÉKOS FELHASZNÁLÁS

Ez a készülék alkalmas kertek, bokrok, kis ágak, fa vágására, széles körben használt kertekben, parkokban, gazdaságokban, autópályákon, legelőkn, gyümölcsösökben, üvegházakban. A gép bármilyen más használata vagy módosítása nem rendeltetészerű használatnak minősül, és súlyos személyi sérülést okozhat. A jelen utasítások be nem tartása, illetve a készülék nem rendeltetészerű használata vagy helytelen kezelése miatt keletkezett károkkért felelősséget nem vállalunk.

MŰSZAKI ELŐÍRÁSOK

Műszaki adatok	
Modell	BBP3917C
Motor, feszültség	Kefe nélküli (brushless), 20 V
Vezető rúd	15 cm
Láncsebesség	10 m/s
Lánc mérete	1/4" (1,1 mm), 37 láncszem
Kenőrendszer	Tartály
A gép súlya	1,1 kg

*Az akkumulátor nincs mellékelve

* A gyártó fenntartja a jogot, hogy előzetes értesítés nélkül kisebb változtatásokat eszközöljön a termék kialakításában és műszaki specifikációiban, kivéve, ha ezek a változtatások jelentősen befolyásolják a termékek teljesítményét és biztonságát. A kézikönyv kezében tartott oldalakon leírt/illusztrált alkatrészek a gyártó termékcsaládjának más, hasonló tulajdonságokkal rendelkező modelljeit is érinthetik, és előfordulhat, hogy az Ön által most megvásárolt termék nem tartalmazza azokat.

* A termék biztonságának és megbízhatóságának, valamint a garancia érvényességének biztosítása érdekében minden javítási, ellenőrzési vagy csere munkát, beleértve a karbantartást és a speciális beállításokat is, kizárólag a gyártó hivatalos szervizének szakemberei végezhetnek.

* A terméket mindig a mellékelt felszereléssel használja. A termék nem mellékelt felszereléssel történő üzemeltetése meghibásodást, vagy akár súlyos sérülést vagy halált is okozhat. A gyártó és az importőr nem vállal felelősséget a nem megfelelő felszerelés használatából eredő sérülésekért és károkkért.

Vágás

- Amikor a készülék működik, a másik kezét legalább 15 cm távolságra tartsa a penge vágási területétől.
- A láncfűrész hosszabb élettartamának biztosítása érdekében ne terhelje túl a készüléket, és ne vágjon 15 cm átmérőjűnél nagyobb ágakat.
- Az akkumulátor hideg vagy nedves időjárástól való védelme érdekében helyezze vízálló ruházat alá.
- A vágás befejezése után húzza ki az akkumulátort a konnektorból.
- Ne használja ezt a berendezést esőben.

KARBANTARTÁS ÉS TISZTÍTÁS

- ⚠** Tisztítás és karbantartás előtt mindig kapcsolja ki a gépet, és vegye ki az akkumulátort a szerszámból.
- Minden használat után gondosan tisztítsa meg a láncot.
 - Törölje át a láncot kenőolajjal (pengeolaj vagy hasonló típusú), és fújja be fémvédő spray-vel.
 - Ne permetezze a berendezést vízzel.
 - Rendszeresen, lehetőleg minden használat után puha ruhával tisztítsa meg a gépházát.
 - Tartsa tisztán a szellőzőt, a motortérben és a szerszámfogantyút.
 - A makacs szennyeződések szappannal megnedvesített puha ruhával távolítsa el. Ne használjon oldószereket, például benzint, alkoholt, ammóniát stb. Az ilyen vegyi anyagok károsítják a szintetikus alkatrészeket.
- ⚠** Környezetvédelem
A meghibásodott és/vagy kiselejtezett elektromos vagy elektronikus berendezéseket a megfelelő újrahasznosítási pontokon kell gyűjteni.

KÖRNYEZETVÉDELMI ÁRTALMATLANÍTÁS

A szállítási sérülések elkerülése érdekében a szerszámot szilárd csomagolásban kell szállítani. A csomagolás, valamint a készülék és a tartozékok újrahasznosítható anyagokból készülnek, és ennek megfelelően ártalmatlaníthatók. A szerszám műanyag alkatrészei anyaguk szerint jelölve vannak, ami lehetővé teszi a környezetbarát és megkülönböztetett eltávolítást a rendelkezésre álló gyűjtőberendezések miatt.



Csak az uniós országok esetében

Ne dobja ki az elektromos szerszámokat a háztartási együtt!

Az elektromos és elektronikus berendezések hulladékairól szóló 2002/96/EK európai irányelv és annak a nemzeti jogszabályokkal összhangban történő végrehajtása értelmében az élettartamuk végét elérő elektromos szerszámokat elkülönítve kell gyűjteni, és egy környezetbarát újrahasznosító létesítménybe kell visszavinni.

ΕΓΓΥΗΣΗ

EL

Τα ηλεκτρικά εργαλεία έχουν κατασκευαστεί με αυστηρά πρότυπα που έχει θέσει η εταιρεία και συνάδουν με τα ευρωπαϊκά πρότυπα ποιότητας. Για τα ηλεκτρικά εργαλεία της εταιρείας μας παρέχεται περίοδος εγγύησης 24 μηνών για ερασιτεχνική χρήση και 12 μηνών για επαγγελματική χρήση. Η ισχύς της εγγύησης ξεκινά από την ημερομηνία αγοράς του προϊόντος. Αποδεικτικό του δικαιώματος της εγγύησης αποτελεί το παραστατικό αγοράς του εργαλείου (απόδειξη λιανικής ή τιμολόγιο). Σε καμιά περίπτωση η εταιρεία δεν καλύπτει τη σχετική δαπάνη ανταλλακτικών και εργασιών εάν και εφόσον δε συνοδεύεται από αντίγραφο του παραστατικού αγοράς. Σε περίπτωση που η επισκευή πρέπει να γίνει στο service μας η δαπάνη μεταφοράς (από και προς) βαρύνει εξ' ολοκλήρου τον αποστολέα. Τα εργαλεία αποστέλλονται για την επισκευή τους στην εταιρεία ή σε εξουσιοδοτημένο συνεργείο με τον ενδεδειγμένο τρόπο και μέσο μεταφοράς.

ΕΞΑΙΡΕΣΕΙΣ ΚΑΙ ΠΕΡΙΟΡΙΣΜΟΙ ΤΗΣ ΕΓΓΥΗΣΗΣ:

- 1) Ανταλλακτικά που φθείρονται φυσιολογικά από τη χρήση τους (καρβουνάκια, καλώδιο, διακόπτες, τσοκ κ.λ.π).
- 2) Εργαλεία που έχουν υποστεί ζημίες από τη μη συμμόρφωση με τις οδηγίες του κατασκευαστή.
- 3) Εργαλεία με ελλιπή συντήρηση.
- 4) Χρήση μη ενδεδειγμένων λιπαντικών ή εξαρτημάτων.
- 5) Εργαλεία που έχουν δοθεί χωρίς επιβάρυνση.
- 6) Βλάβη που οφείλεται σε ηλεκτρική σύνδεση σε τάση διαφορετική από την αναγραφόμενη στην πινακίδα συσκευής.
- 7) Σύνδεση σε μη γειωμένο ρευματοδότη.
- 8) Μεταβολή της τάσης του ρεύματος.
- 9) Βλάβη που προκύπτει από τη χρήση αλμυρού νερού (π.χ πλυστικά, αντλίες).
- 10) Βλάβη ή κακή λειτουργία που έχει προκύψει από πλημμελή καθαρισμό του εργαλείου.
- 11) Επαφή του εργαλείου με χημικά, ή βλάβη από υγρασία, διάβρωση.
- 12) Εργαλεία που έχουν υποστεί τροποποιήσεις – αλλαγές ή έχουν ανοιχτεί από μη εξουσιοδοτημένο συνεργείο.
- 13) Σπασμένα μέρη/εξαρτήματα εξαιτίας του ορθής χρήσης.
- 14) Εργαλεία που χρησιμοποιούνται για ενοίκιαση.

Η εγγύηση καλύπτει αποκλειστικά τη δωρεάν αντικατάσταση του εξαρτήματος που έχει κατασκευαστικό ελάττωμα ή αστοχία υλικού. Σε περίπτωση έλλειψης ανταλλακτικού η εταιρεία διατηρεί το δικαίωμα αντικατάστασης του εργαλείου με άλλο αντίστοιχο μοντέλο. Μετά τη διεκπεραίωση εγγύησης δεν επιμνηνύεται ούτε ανανεώνεται ο χρόνος εγγύησης του εργαλείου. Αντικατάσταση ανταλλακτικού με χρέωση επισκευής, καλύπτεται από 1 χρόνο εγγύησης καλής λειτουργίας, με προϋπόθεση την τήρηση των όρων εγγύησης. Τα ανταλλακτικά ή τα εργαλεία τα οποία αντικαθίστανται παραμένουν στην κατοχή της εταιρείας μας. Άλλες απαιτήσεις, εκτός από αυτές που αναφέρονται σε αυτό το έντυπο εγγύησης επισκευής ή βλαβών ηλεκτρικών εργαλείων, δεν ισχύουν. Για την εγγύηση αυτή ισχύει το ελληνικό δίκαιο.

WARRANTY

EN

The power tools have been manufactured according to strict standards, set by our company, which are aligned with the respective European quality standards. The power tools of our company are provided with a warranty period of 24 months for non-professional use and 12 months for professional use. The warranty is valid from the date of purchase of the product. Proof of the warranty right is the purchase document of the tool (retail receipt or invoice). Under no circumstances shall the company cover the relevant cost of spare parts and respective required working hours unless a copy of the purchase document is presented. In case the repair has to be done by our service department the cost of transportation (to and from) is entirely borne by the sender (client). The tools must be sent for repair to the company or to an authorized workshop in the appropriate way and means of transport.

WARRANTY EXEMPTIONS AND RESTRICTIONS:

- 1) Spare parts that wear out naturally as a consequence of being used (brushes, cables, switches, chucks etc.).
- 2) Tools damaged as a result of non-compliance with the instructions of the manufacturer.
- 3) Tools poorly maintained.
- 4) Use of improper lubricants or accessories.
- 5) Tools given to third entities free of charge.
- 6) Damage due to an electrical connection at a voltage other than that indicated on the appliance plate.
- 7) Connection to a non-earthed power supply.
- 8) Change in current voltage.
- 9) Damage resulting from the use of salty water (e.g., washing machines, pumps).
- 10) Damage or malfunction resulting from improper cleaning procedure of the tool.
- 11) Contact of the tool with chemicals, or damage as a result of moisture or corrosion.
- 12) Tools that have been modified or opened by unauthorized personnel.
- 13) Broken parts/components as a result of inappropriate use.
- 14) Tools used for rent.

The warranty covers only the free of charge replacement of the component that presents a manufacturing defect or material failure. In case of lack of a specific spare part the company reserves the right to replace the tool with another corresponding model. After all warranty procedures have been concluded, the warranty period of the tool shall not be extended or renewed. Replacement of a spare part with repair charge is covered by a 1 year warranty of good operation, subject to compliance with the warranty terms. The spare parts or tools that are replaced remain in the possession of our company. Requirements, other than those mentioned in this warranty form, regarding power tools repair or damage thereof, do not apply. Greek law and relative regulations apply to this warranty.

GARANTIE

FR

Les outils électriques sont fabriqués selon des normes strictes, établies par notre société et se sont alignées sur les normes de qualité européennes respectives. Les outils électriques de notre société sont bénéficiés d'une garantie de 24 mois pour une utilisation non professionnelle et de 12 mois pour une utilisation professionnelle. La garantie est valable à partir de la date d'achat du produit. La preuve du droit à la garantie est le document d'achat de l'outil (ticket de caisse ou facture). En aucun cas, l'entreprise ne couvrira le coût des pièces de rechange et des heures de travail nécessaires si une copie du document d'achat n'est pas présentée. Si la réparation doit être effectuée par notre service après-vente, les frais de transport (aller- retour) sont entièrement à la charge de l'expéditeur (client). Les outils doivent être envoyés pour réparation à l'entreprise ou à un atelier agréé de la manière et avec le moyen de transport appropriée.

EXEMPTIONS ET RESTRICTIONS DE GARANTIE:

- 1) Les pièces de rechange qui s'usent naturellement suite à leur utilisation (balaise, câbles, interrupteurs, mandrins etc.).
- 2) Les outils endommagés à la suite du non-respect des instructions du fabricant.
- 3) Outils mal entretenus.
- 4) Utilisation de lubrifiants ou d'accessoires inappropriés.
- 5) Outils donnés à des tiers à titre gratuit.
- 6) Dommages dus à un mauvais branchement électrique ou à une tension différente de celle indiquée sur la plaque de l'appareil.
- 7) Connexion à une alimentation électrique non reliée à la terre.
- 8) Fluctuation de la tension inacceptable.
- 9) Dommages résultant de l'utilisation d'eau salée (par exemple, machines à laver, pompes).
- 10) Dommages ou dysfonctionnement résultant d'une procédure de nettoyage inadéquate de l'appareil.
- 11) Contact de l'outil avec des produits chimiques, ou dommages résultant de l'humidité ou de la corrosion.
- 12) Les outils qui ont été modifiés ou ouverts par du personnel non autorisé.
- 13) Pièces/composants cassés à la suite d'une utilisation inappropriée.
- 14) Les outils utilisés à location.

La garantie couvre uniquement le remplacement gratuit du composant qui présente un défaut de fabrication ou une défaillance matérielle. En cas d'absence d'une pièce de rechange spécifique, l'entreprise se réserve le droit de remplacer l'outil par un autre modèle correspondant. Après la conclusion de toutes les procédures de garantie, la période de garantie de l'outil ne sera pas prolongée ou renouvelée. Le remplacement d'une pièce de rechange, ainsi que les frais de réparation, sont couverts par une garantie de bon fonctionnement d'un an, sous réserve du respect des conditions de garantie. Les pièces de rechange ou les outils remplacés restent en possession de notre société. Les exigences, autres que celles mentionnées dans ce formulaire de garantie, concernant la réparation des outils électriques ou leur endommagement, ne sont pas applicables. La loi grecque et ses règlements s'appliquent à cette garantie.

GARANZIA

IT

Gli elettrodomestici sono stati fabbricati secondo gli standard rigorosi, stabiliti dalla nostra azienda, che sono allineati con i rispettivi standard di qualità europei. Gli elettrodomestici della nostra azienda sono forniti con un periodo di garanzia di 24 mesi per uso non professionale e di 12 mesi per uso professionale. La garanzia è valida dalla data di acquisto del prodotto. La prova del diritto di garanzia è il documento di acquisto dell'utensile (scontrino o fattura). In nessun caso l'azienda coprirà il relativo costo dei pezzi di ricambio e delle rispettive ore di lavoro necessarie se non viene presentata una copia del documento di acquisto. Nel caso in cui la riparazione debba essere effettuata dal nostro servizio di assistenza, il costo del trasporto (da e per) è interamente a carico del mittente (cliente). Gli utensili devono essere inviati per la riparazione all'azienda o ad un'officina autorizzata nel modo e nel mezzo di trasporto appropriato.

ECCEZIONI E LIMITAZIONI ALLA GARANZIA:

- 1) Pezzi di ricambio che si deteriorano naturalmente con l'uso (pezzi di consumo).
- 2) Utensili danneggiati dal mancato rispetto delle istruzioni del produttore.
- 3) Strumenti con manutenzione insufficiente.
- 4) Uso di lubrificanti o parti inappropriate.
- 5) Strumenti dati gratuitamente.
- 6) Guasto dovuto a un collegamento dell'aria compressa a una pressione diversa da quella indicata sulla targhetta dei dati tecnici.
- 7) Danni derivanti dall'uso di aria compressa impura e non filtrata.
- 8) Danni o malfunzionamenti derivanti da una pulizia inadeguata dell'utensile.
- 9) Contatto dell'utensile con prodotti chimici, o danni da umidità, corrosione.
- 10) Strumenti che hanno subito modifiche - cambiamenti o sono stati aperti da un'officina non autorizzata.
- 11) Strumenti utilizzati per il noleggio.
- 12) Strumenti che sono stati modificati o aperti da personale non autorizzato.
- 13) Rottura di parti/componenti a causa di un uso improprio.
- 14) Strumenti utilizzati per il noleggio.

La garanzia copre solo la sostituzione gratuita del componente che presenta un difetto di fabbricazione o di materiale. In caso di mancanza di un pezzo di ricambio specifico, l'azienda si riserva il diritto di sostituire l'utensile con un altro modello corrispondente. Una volta concluse tutte le procedure di garanzia, il periodo di garanzia dell'utensile non potrà essere esteso o rinnovato. La sostituzione di un pezzo di ricambio, insieme al costo della riparazione, è coperta da una garanzia di buon funzionamento di 1 anno, a condizione che vengano rispettati i termini della garanzia. I pezzi di ricambio o gli utensili che vengono sostituiti rimangono in possesso della nostra azienda. I requisiti, diversi da quelli menzionati in questo modulo di garanzia, riguardanti la riparazione di utensili elettrici o il loro danneggiamento, non si applicano. La legge greca e i relativi regolamenti si applicano a questa garanzia.

GARANCIA

AL

Mjetet e energjisë janë prodhuar sipas standardeve strikte, të vendosura nga kompania jonë, të cilat janë në përputhje me standardet respektive evropiane të cilësisë. Mjetet e energjisë të kompanisë sonë janë siguruar me një periudhë garancie prej 24 muaj për përdorim jo profesional dhe 12 muaj për përdorim profesional. Garancia është e vlefshme nga data e blerjes së produktit. Prova e së drejtës së garancisë është dokumenti i blerjes së mjetit (faturë ose faturë me pakicë). Në asnjë rrethanë ndërmarrja nuk mbulon koston përkatëse të pjesëve të këmbimit dhe orarin përkatës të kërkuar të punës, përveç kur është paraqitur një kopje e dokumentit të blerjes. Në rast se riparimi duhet të bëhet nga departamenti ynë i shërbimit kostoja e transportit (për dhe nga) është tërësisht e mbajtur nga dërguesi (klienti). Mjetet duhet të dërgohen për riparim në ndërmarrje ose në një punishtë të autorizuar në mënyrën dhe mjetet e duhura të transportit.

PËRJASHTIMET DHE KUFIZIMET E GARANCISË:

- 1) Pjesët rezervë që përdoren në mënyrë natyrale si pasojë e përdorur (furçat, kabllot, ndërruesit, mbytyjet etj.).
- 2) Veglat e dëmtuara si rezultat i mosrespektimit të udhëzimeve të prodhuesit.
- 3) Mjetet e mbajtura keq.
- 4) Përdorimi i lubrifikantëve ose aksesoreve të papërshtatshëm.
- 5) Mjetet që u jepen enteve të treta pa pagesë.
- 6) Dëmtimi për shkak të një lidhje elektrike në një tension tjetër nga ai i treguar në plakën e pajisjes.
- 7) Lidhja me furnizimin me energji jo tokësore.
- 8) Ndryshimi i tensionit aktual.
- 9) Dëmtimi që vijnë si pasojë e përdorimit të ujit të kripur (p.sh., lavatrice, pompa).
- 10) Dëmtimi ose mosfunksionimi që rezultojn nga procedura e papërshtatshme e pastrimit të mjetit.
- 11) Kontakti i mjetit me kimikate, ose dëmtimi si pasojë e lagështisë ose korrozionit.
- 12) Mjete që janë modifikuar ose hapur nga personel i paautorizuar.
- 13) Pjesë/përbërës të thyer si rezultat i përdorimit të papërshtatshëm.
- 14) Veglat e përdorura për qira.

Garancia mbulon vetëm zëvendësimin pa pagesë të komponentit që paraqet një defekt prodhues ose dështim material. Në rast të mungesës së një pjese rezervë specifike kompania rezervon të drejtën për të zëvendësuar mjetin me një model tjetër përkatës. Pasi të jenë përfunduar të gjitha procedurat e garancisë, periudha e garancisë së mjetit nuk do të zgjatet ose të rinovohet. Zëvendësimi i një pjese rezervë, së bashku me ngarkesën e riparimit, mbulohet nga një garanci vepri me mirë 1 vit, subjekt i përputhjes me kushtet e garancisë. Pjesët e këmbimit ose mjetet që zëvendësohen mbeten në zotërim të kompanisë sonë. Kërkesat, përveç atyre të përmendura në këtë formë garancie, në lidhje me riparimin ose dëmtimin e mjeteve të energjisë elektrike, nuk zbatohen. Ligji grek dhe rregullat relative zbatohen për këtë garancia.

GARANCIA

SLO

Električna orodja so bila izdelana v skladu s strogiimi standardi našega podjetja, ki so usklajeni z ustreznimi evropskimi standardi kakovosti. Za električna orodja našega podjetja velja 24-mesečna garancija za neprofesionalno uporabo in 12-mesečna garancija za profesionalno uporabo. Garancija velja od datuma nakupa izdelka. Dokazilo o pravici do garancije je dokument o nakupu orodja (maloprodajni račun ali račun). Podjetje v nobenem primeru ne krije ustreznih stroškov nadomestnih delov in ustreznih zahtevanih delovnih ur, če ni predložena kopija nakupnega dokumenta. Če mora popravilo opraviti naš servisni oddelček, stroške prevoza (do in nazaj) v celoti krije pošiljatelj (stranka). Orodje je treba poslati v popravilo podjetju ali pooblaščenim delavnicam na ustrezen način in z ustreznim prevoznim sredstvom.

GARANCIJSKE IZJEME IN OMEJITVE:

- 1) Rezervni deli, ki se naravno obrabijo zaradi uporabe (ščetke, kabli, stikala, vpenjalne glave itd.).
- 2) Orodja, ki so se poškodovala zaradi neupoštevanja navodil proizvajalca.
- 3) Orodja, ki so slabo vzdrževana.
- 4) Uporaba neustreznih maziv ali pripomočkov.
- 5) Orodja, ki so bila brezplačno dana tretjim osebam.
- 6) Poškodbe zaradi električnega priključka pri napetosti, ki ni navedena na ploščici naprave.
- 7) Priključitev na neozemljeno električno omrežje.
- 8) Sprememba trenutne napetosti.
- 9) Poškodbe zaradi uporabe slane vode (npr. pralni stroji, črpalke).
- 10) Poškodba ali okvara, ki je posledica nepravilnega postopka čiščenja orodja.
- 11) Stik orodja s kemikalijami ali poškodbe zaradi vlage ali korozije.
- 12) Orodje, ki ga je spremenilo ali odprlo nepooblaščen osebe.
- 13) Pokvarjeni deli/komponente zaradi neustrezne uporabe.
- 14) Orodja, ki se uporabljajo za najem.

Garancija zajema le brezplačno zamenjavo sestavnega dela, pri katerem se pokaže proizvodna napaka ali okvara materiala. V primeru pomanjkanja določenega rezervnega dela si podjetje pridržuje pravico, da orodje zamenja z drugim ustreznim modelom. Po zaključku vseh garancijskih postopkov se garancijski rok orodja ne podaljša ali obnovi. Za zamenjavo nadomestnega dela z nadomestilom za popravilo velja enoletna garancija za dobro delovanje, če so izpolnjeni garancijski pogoji. Zamenjani nadomestni deli ali orodje ostanejo v lasti našega podjetja. Zahteve, ki niso navedene v tem garancijskem obrazcu, v zvezi s popravilom električnih orodij ali njihovih poškodb, ne veljajo. Za to garancijo velja grška zakonodaja in sorodni predpisi.

GARANCIJE

SR

Električni alati su proizvedeni prema strogim standardima koje je postavila naša kompanija a koji su usklađeni sa odgovarajućim evropskim standardima kvaliteta. Električni alati naše kompanije imaju garantni rok od 24 meseca za neprofesionalnu upotrebu i 12 meseci za profesionalnu upotrebu. Garancija važi od dana kupovine proizvoda. Dokaz za pravo na garanciju je dokument o kupovini električnog alata (maloprodajni račun ili faktura). Ni pod kojim okolnostima kompanija neće pokriti relevantne troškove rezervnih delova i potrebno odgovarajuće radno vreme ako se ne predoči kopija dokumenta o kupovini. U slučaju da popravku treba da uradi naš servis, troškove transporta (do i od) u potpunosti snosi pošiljalac (klijent). Električni alati za popravku se šalju u firmu gde su kupljeni ili u ovlašćeni servis i to tako da budu prikladno upakovani za transport.

IŽUZEČA I OGRANIČENJA GARANCIJE:

- 1) Rezervni delovi koji se prirodno troše kao posledica korišćenja (četkice, kablovi, prekidači, stezne glave itd).
- 2) Alati oštećeni kao posledica nepoštovanja uputstva proizvođača.
- 3) Alati su loše održavani.
- 4) Upotreba neodgovarajućih maziva ili pribora.
- 5) Alati su dati trećim licima besplatno.
- 6) Oštećenje usled električnog priključka na napon koji nije naznačen na pločici uređaja.
- 7) Povezivanje na neuzemljeno napajanje.
- 8) Promena napona struje.
- 9) Oštećenja nastala upotrebom slane vode (npr. mašine za pranje veša, pumpe).
- 10) Oštećenje ili kvar nastao kao posledica nepravilne procedure čišćenja alata.
- 11) Kontakt alata sa hemikalijama ili oštećenje usled vlage ili korozije.
- 12) Alati koje je modifikovalo ili otvorilo neovlašćeno osoblje.
- 13) Polomljeni delovi/komponente kao rezultat neodgovarajuće upotrebe.
- 14) Alati koji se koriste za iznajmljivanje.

Garancija pokriva samo besplatnu zamenu komponente koja ima fabričku grešku ili materijalne nedostatke. U slučaju nedostatka rezervnog dela, kompanija zadržava pravo zamene električnog alata drugim odgovarajućim modelom. Nakon isteka garantnog roka, garantni rok električnog alata se ne produžava niti obnavlja. Rezervni delovi ili Električni alati koji su zamenjeni ostaju u posedu naše kompanije. Zamena rezervnog dela, zajedno sa naplatom popravke, pokrivena je garancijom za 1 godinu dobrog rada, koja podleže poštovanju uslova garancije. Zahtevi, osim onih navedenih u ovom obrascu garancije, u vezi sa popravkom električnog alata ili njegovim oštećenjem ne važe. Na ovu garanciju se primenjuju grčki zakoni i odgovarajući propisi.

ZÁRUKA

SK

Elektrické náradie bolo vyrobené podľa prísnych noriem stanovených našou spoločnosťou, ktoré sú v súlade s príslušnými európskymi normami kvality. Na elektrické náradie našej spoločnosti poskytujeme záruku 24 mesiacov na neprofesionálne použitie a 12 mesiacov na profesionálne použitie. Záruka platí od dátumu zakúpenia výrobku. Dokladom o nároku na záruku je doklad o kúpe náradia (maloobchodný doklad alebo faktúra). Spoločnosť v žiadnom prípade neuhradí príslušné náklady na náhradné diely a príslušné požadované pracovné hodiny, ak nie je predložená kópia dokladu o kúpe. V prípade, že opravu musí vykonať naše servisné oddelenie, náklady na dopravu (tam a späť) znáša v plnej miere odosielateľ (zákazník). Náradie musí byť zaslané na opravu do spoločnosti alebo do autorizovaného servisu vhodným spôsobom a dopravným prostriedkom.

VÝNIMKY A OBMEDZENIA TÝKAJÚCE SA ZÁRUKY:

- 1) Náhradné diely, ktoré sa prirodzene opotrebojú v dôsledku používania (kefky, káble, spínače, skľučovadlá atď.).
- 2) Náradie poškodené v dôsledku nedodržania pokynov výrobcu.
- 3) Náradie nedostatočne udržiavané.
- 4) Používanie nevhodných mazív alebo príslušenstva.
- 5) Náradie poskytnuté tretím subjektom bezplatne.
- 6) Poškodenie v dôsledku elektrického pripojenia na iné napätie, ako je uvedené na štítku spotrebiča.
- 7) Pripojenie k neuzemnenému zdroju napájania.
- 8) Zmena aktuálneho napätia.
- 9) Poškodenie v dôsledku používania slanej vody (napr. práčky, čerpadlá).
- 10) Poškodenie alebo porucha vyplývajúca z nesprávneho postupu čistenia nástroja.
- 11) Kontakt nástroja s chemikáliami alebo poškodenie v dôsledku vlhkosti alebo korózie.
- 12) Nástroje, ktoré boli upravené alebo otvorené neoprávneným personálom.
- 13) Poškodené diely/komponenty v dôsledku nevhodného používania.
- 14) Náradie používané na prenájom.

Záruka sa vzťahuje len na bezplatnú výmenu súčiastky, ktorá vykazuje výrobnú vadu alebo poruchu materiálu. V prípade nedostatku konkrétneho náhradného dielu si spoločnosť vyhradzuje právo vymeniť náradie za iný zodpovedajúci model. Po ukončení všetkých záručných postupov sa záručná doba náradia nepredlžuje ani neobnovuje. Na výmenu náhradného dielu s poplatkom za opravu sa vzťahuje 1-ročná záruka na dobrú prevádzku pri dodržaní záručných podmienok. Vymenené náhradné diely alebo náradie zostávajú vo vlastníctve našej spoločnosti. Iné požiadavky, ako sú uvedené v tomto záručnom formulári, týkajúce sa opravy elektrického náradia alebo jeho poškodenia, sa neuplatňujú. Na túto záruku sa vzťahujú grécke zákony a príslušné predpisy.

ГАРАНЦИЯ

BG

Електроинструментите са произведени в съответствие със строги стандарти, установени от нашата компания, които са в съответствие със съответните европейски стандарти за качество. Електроинструментите на нашата компания се предоставят с гаранционен срок от 24 месеца за непрофесионална употреба и 12 месеца за професионална употреба. Гаранцията е валидна от датата на закупуване на продукта. Доказателство за правото на гаранция е документът за закупуване на инструмента (касова бележка от магазин или фактура). В никакъв случай компанията не покрива съответните разходи за резервни части и съответните необходими работни часове, ако не бъде представено копие от документа за покупка. В случай че ремонтът трябва да бъде извършен от нашия сервизен отдел, разходите за транспорт (до и от) се поемат изцяло от изпращача (клиента). Инструментите трябва да бъдат изпратени за ремонт в компанията или в оторизиран сервиз по подходящ начин и с подходящо транспортно средство.

ОСВОБОЖДАВАНЕ ОТ ГАРАНЦИЯ И ОГРАНИЧЕНИЯ:

- 1) Резервни части, които се изнасят по естествен начин вследствие на използването им (четки, кабели, ключове, патронници и др.).
- 2) Инструменти, повредени в резултат на неспазване на инструкциите на производителя.
- 3) Инструменти, които са лошо поддържани.
- 4) Използване на неподходящи смазочни материали или принадлежности.
- 5) Инструменти, предоставени безплатно на трети лица.
- 6) Повреди вследствие на електрическа връзка с напрежение, различно от посоченото на табелката на уреда.
- 7) Свързване към незаземено електрозахранване.
- 8) Промяна в напрежението на тока.
- 9) Повреда в резултат на използването на солена вода (напр. перални машини, помпи).
- 10) Повреда или неизправност в резултат на неправилна процедура за почистване на инструмента.
- 11) Контакт на инструмента с химикали или повреда в резултат на влага или корозия.
- 12) Инструменти, които са били модифицирани или отворени от неупълномощен персонал.
- 13) Счупени части/компоненти в резултат на неподходяща употреба.
- 14) Инструменти, използвани под наем.

Гаранцията покрива само безплатната подмяна на компонента, който представя производствен дефект или повреда на материала. В случай на липса на конкретна резервна част компанията си запазва правото да замени инструмента с друг съответен модел. След приключване на всички гаранционни процедури гаранционният срок на инструмента не се удължава или подновява. Замяната на резервна част с такса за ремонт се покрива от 1-годишна гаранция за добра експлоатация, при спазване на гаранционните условия. Заменените резервни части или инструменти остават във владение на нашата компания. Изисквания, различни от посочените в този гаранционен формуляр, относно ремонта на електроинструменти или повредите по тях, не се прилагат. Гръцкото законодателство и съответните разпоредби се прилагат към тази гаранция.

GAARANȚIE

RO

Uneltele electrice au fost fabricate în conformitate cu standarde stricte, stabilite de compania noastră, care sunt aliniate la standardele de calitate europene respective. Uneltele electrice ale companiei noastre sunt prevăzute cu o perioadă de garanție de 24 de luni pentru utilizare neprofesională și 12 luni pentru utilizare profesională. Garanția este valabilă de la data achiziționării produsului. Dovada dreptului de garanție este documentul de achiziție a sculei (bon de casă sau factură). În niciun caz societatea nu va acoperi costurile relevante ale pieselor de schimb și ale orelor de lucru necesare respective dacă nu este prezentată o copie a documentului de achiziție. În cazul în care reparația trebuie efectuată de către departamentul nostru de service, costul transportului (dus-întors) este suportat în întregime de către expeditor (client). Unelte trebuie trimise pentru reparații la companie sau la un atelier autorizat în mod și cu mijloace de transport adecvate.

SCUTIRI ȘI RESTRICȚII DE GAARANȚIE:

- 1) Piese de schimb care se uzează în mod natural ca urmare a utilizării (perii, cabluri, întrerupătoare, mandrine etc.).
- 2) Unelte deteriorate ca urmare a nerespectării instrucțiunilor producătorului.
- 3) Unelte prost întreținute.
- 4) Utilizarea de lubrifianți sau accesorii necorespunzătoare.
- 5) Unelte oferite gratuit unor terțe entități.
- 6) Deteriorări datorate unei conexiuni electrice la o altă tensiune decât cea indicată pe plăcuța aparatului.
- 7) Conectarea la o sursă de alimentare electrică nelegată la pământ.
- 8) Schimbarea tensiunii de curent.
- 9) Deteriorări rezultate din utilizarea apei sărate (de exemplu, mașini de spălat, pompe).
- 10) Deteriorări sau defecțiuni rezultate în urma unei proceduri de curățare necorespunzătoare a aparatului.
- 11) Contactul sculei cu substanțe chimice sau deteriorări ca urmare a umidității sau coroziei.
- 12) Unelte care au fost modificate sau deschise de către personal neautorizat.
- 13) Piese/componente rupte ca urmare a unei utilizări necorespunzătoare.
- 14) Unelte utilizate pentru închiriere.

Garanția acoperă numai înlocuirea gratuită a componentei care prezintă un defect de fabricație sau o defecțiune materială. În cazul lipsei unei piese de schimb specifice, societatea își rezervă dreptul de a înlocui scula cu un alt model corespunzător. După încheierea tuturor procedurilor de garanție, perioada de garanție a sculei nu se prelungește sau se reînnoiește. Înlocuirea unei piese de schimb cu taxă de reparație este acoperită de o garanție de 1 an de bună funcționare, sub rezerva respectării condițiilor de garanție. Piese de schimb sau sculele înlocuite rămân în posesia societății noastre. Nu se aplică cerințe, altele decât cele menționate în acest formular de garanție, privind repararea sculelor electrice sau deteriorarea acestora. Legea greacă și reglementările aferente se aplică acestei garanții.

ГАРАНЦИЈА

NMK

Електрични алатки се произведени според строги стандарти, поставени од нашата компанија, кои се усогласени со соодветните европски стандарти за квалитет. Електрични алатки на нашата компанија се обезбедени со гаранција од 24 месеци за непрофесионална употреба и 12 месеци за професионална употреба. Гаранцијата важи од датумот на купување на производот. Доказ за гаранциското право е документот за купување на алатката (малопродажна потврда или фактура). Под никакви околности компанијата нема да ги покрие соодветните трошоци за резервни делови и соодветно потребно работно време, освен ако не се претстави копија од документот за купување. Во случај поправката да мора да биде направена од нашиот сервизен оддел трошоците за превоз (до и од) е целосно задолжена од испраќачот (клиентот). Алатките мора да бидат испратени за поправка на компанијата или на овластена работилница на соодветен начин и транспортни средства.

ОСЛОБОДУВАЊА И ОГРАНИЧУВАЊА НА ГАРАНЦИЈАТА:

- 1) Резервни делови кои се носат природно како последица на користење (четки, кабли, прекинувачи, футери итн.).
- 2) Алатки оштетени како резултат на непочитување на инструкциите на производителот.
- 3) Алатките слабо се одржуваат.
- 4) Употреба на неправилно лубриканти или додатоци.
- 5) Алатки дадени на трети ентитети бесплатно.
- 6) Оштетување поради електрично поврзување на напон поинаку од оној што е наведен на плочата на апаратот.
- 7) Поврзување со неземан напон.
- 8) Промена на напонот на струјата.
- 9) Оштетување како резултат на употребата на солена вода (на пример, машини за перење, пумпи).
- 10) Оштетување или нефункционирање како резултат на неправилно чистење на алатката.
- 11) Контакт на алатката со хемикали, или оштетување како резултат на влага или корозија.
- 12) Алатки кои биле модифицирани или отворени од страна на неовластениот персонал.
- 13) Скршени делови/компоненти како резултат на несоодветна употреба.
- 14) Алатки кои се користат за изнајмување.

Гаранцијата покрива само бесплатна замена на компонентата која претставува производствен дефект или материјален неуспех. Во случај на недостаток на одреден резервен дел, компанијата го задржува правото да ја замени алатката со друг соодветен модел. По завршувањето на сите процедури за гаранција, гарантниот период на алатката не се продолжува или обновува. Замената на резервниот дел со наплата за поправка е покриена со 1 година гаранција за добро работење, под услов да се усогласат условите за гаранција. Резервните делови или алатки кои се заменети остануваат во сопственост на нашата компанија. Барањата, освен оние споменати во оваа гаранција, во врска со поправката или оштетувањето на електрични алатки, не важат. Гръцкото право и релативните регулативи важат за оваа гаранција.

GAARANCIJA

HUN

Az elektromos szerszámok gyártása a vállalatunk által meghatározott szigorú szabványok szerint történik, amelyek összhangban vannak a vonatkozó európai minőségi szabványokkal. Cégünk elektromos szerszámaira nem professzionális használat esetén 24 hónap, professzionális használat esetén 12 hónap garanciát vállalunk. A garancia a termék megvásárlásának napjától érvényes. A jótállási jog igazolása a szerszám vásárlását igazoló dokumentum (kiskereskedelmi blokk vagy számla). A vállalat semmilyen körülmények között nem fedezi a pótalkatrészek és a megfelelő szükséges munkaórák vonatkozó költségeit, ha nem mutatják be a vásárlási dokumentum másolatát. Amennyiben a javítást szervizünknek kell elvégeznie, a szállítás (oda- és visszaszállítás) költségei teljes egészében a feladót (ügyfelet) terhelik. A szerszámokat javításra a megfelelő módon és szállítóeszközzel kell elküldeni a vállalatához vagy egy erre felhatalmazott műhelybe.

GAARANCIÁLIS MENTESSÉGEK ÉS KORLÁTOZÁSOK:

- 1) A használat következtében természetes módon elhasználódó pótalkatrészek (kefék, kábelek, kapcsolók, tokmányok stb.).
- 2) A gyártó utasításainak be nem tartása következtében sérült szerszámok.
- 3) Rosszul karbantartott szerszámok.
- 4) Nem megfelelő kenőanyagok vagy tartozékok használata.
- 5) Harmadik személyeknek ingyenesen átadott szerszámok.
- 6) A készüléktáblán feltüntetettől eltérő feszültségű elektromos csatlakozásból eredő károk.
- 7) Nem földelt áramforráshoz való csatlakoztatás.
- 8) Az áram feszültségének megváltozása.
- 9) Sós víz használatából eredő károk (pl. mosógépek, szivattyúk).
- 10) A készülék nem megfelelő tisztítási eljárásából eredő károsodás vagy meghibásodás.
- 11) A szerszám vegyi anyagokkal való érintkezése, vagy nedvességből vagy korrózióból eredő károsodás.
- 12) Olyan szerszámok, amelyeket illetéktelen személyek módosítottak vagy nyitottak fel.
- 13) A nem rendeltetésszerű használat következtében eltörtött alkatrészek/komponensek.
- 14) Bérbeadásra használt szerszámok.

A garancia csak a gyártási hibát vagy anyaghibát mutató alkatrészt ingyenes cseréjére terjed ki. Egy adott pótalkatrész hiánya esetén a vállalat fenntartja a jogot, hogy a szerszámot egy másik megfelelő modellre cserélje. Az összes garanciális eljárás lezárását követően a szerszám garanciális ideje nem hosszabbítható meg és nem újítható meg. A javítási díjjal terhelt pótalkatrészek cseréjére 1 év jótállás vonatkozik, a jótállási feltételek betartása mellett. A kicserélt pótalkatrészek vagy szerszámok cégünk tulajdonában maradnak. Az elektromos szerszámok javítására vagy sérülésére vonatkozó, a jelen jótállási nyilatkozatban említetteltől eltérő követelmények nem érvényesek. A jelen jótállásra a görög törvények és a vonatkozó előírások vonatkoznak.

GARANZIJA**MLT**

L-ghodod tal-enerġija ġew manifatturati skont standards stretti, stabbiliti mill-kumpanija tagħna, li huma allinjati mal-istandards ta' kwalità Ewropej rispettivi. L-ghodod tal-enerġija tal-kumpanija tagħna huma pprovduti b'perjodu ta' 'garanzija ta' 24 xahar għal użu mhux professjonali u 12-il xahar għal użu professjonali. Il-garanzija hija valida mid-data tax-xiri tal-prodott. Prova tad-dritt tal-garanzija hija d-dokument tax-xiri tal-ghodda (irċevuta jew fattura bl-imnut). Taht l-ebda ċirkostanza l-kumpanija m'għandha tkopri l-ispiża rilevanti tal-ispare parts u s-siġġat tax-xogħol rispettivi meħtieġa sakemm ma tiġix ipprezentata kopja tad-dokument tax-xiri. F'każ li t-tiswija trid issir mid-dipartiment tas-servizz tagħna, l-ispiża tat-trasport (lejn u minn) tiġhallas kollha kemm hi mill-mittent (klijent). L-ghodda għandha tintbagħat għat-tiswija lill-kumpanija jew lill-hanut tax-xogħol awtorizzat bil-mod u l-mezzi tat-trasport xierqa.

EŻENZIONIJET U RESTRIZZIONIJET TA' GARANZIJA:

- 1) Spare parts li jilbsu b'mod naturali bħala konsegwenza tal-użu (xkupilji, kejbils, swiċċijiet, ċokkijiet eċċ.).
- 2) Ghodod bil-hsara bħala riżultat ta' nuqqas ta' konformità mal-istruzzjonijiet tal-manifattur.
- 3) Ghodod miżmuma hażin.
- 4) Użu ta' 'lubrikanti jew accessorji mhux xierqa.
- 5) Ghodod mogħtija lil entitajiet terzi mingħajr hlas.
- 6) Danni dovuti għal konnessjoni elettrika b'vultaġġ differenti minn dak indikat fuq il-pjanċa tal-apparat.
- 7) Konnessjoni ma' provvista ta' enerġija mhux ertjata.
- 8) Bidla fil-vultaġġ kurrenti.
- 9) Hsara li tirriżulta mill-użu ta' ilma mielaħ (eż., magni tal-hasil tal-hwejjeġ, pompi).
- 10) Hsara jew hsara li tirriżulta minn proċedura ta' tindif mhux xierqa tal-ghodda.
- 11) Kuntatt ta' l-ghodda ma' kimiċi, jew hsara bħala riżultat ta' umdiċa jew korrużjoni.
- 12) Ghodod li ġew modifikati jew miftuħa minn personal mhux awtorizzati.
- 13) Partijiet/komponenti miksura bħala riżultat ta' użu mhux xierqa.
- 14) Ghodod użati għall-kera.

Il-garanzija tkopri biss is-sostituzzjoni mingħajr hlas tal-komponent li jipprezenta difett fil-manifattura jew hsara materjali. F'każ ta' nuqqas ta' spare part specifica, il-kumpanija tirriżerva d-dritt li tissostitwixxi l-ghodda b'modell korrispondenti ieħor. Wara li jkun ġew konklużi l-proċeduri kollha ta' garanzija, il-perjodu ta' garanzija tal-ghodda ma għandux jiġi estiz jew imgedded. Is-sostituzzjoni ta' spare part bil-hlas tat-tiswija hija koperta minn garanzija ta' sena ta' operazzjoni tajba, soġġett għall-konformità mat-termini tal-garanzija. L-ispare parts jew ghodod li jiġu sostitwiti jibqgħu fil-pussess tal-kumpanija tagħna. Rekwiżiti, minbarra dawk imsemmija f'din il-formola ta' garanzija, rigward it-tiswija ta' ghodod tal-enerġija jew hsara tagħhom, ma japplikawx. Il-liġi Griega u r-regolamenti relattivi japplikaw għal din il-garanzija.

GARANTÍA**ES**

Las herramientas eléctricas han sido fabricadas de acuerdo con estrictas normas, establecidas por nuestra empresa, que están alineadas con las respectivas normas de calidad europeas. Las herramientas eléctricas de nuestra empresa tienen un período de garantía de 24 meses para uso no profesional y de 12 meses para uso profesional. La garantía es válida a partir de la fecha de compra del producto. La prueba del derecho de garantía es el documento de compra de la herramienta (ticket de compra o factura). La empresa no se hará cargo en ningún caso del coste de las piezas de recambio y de las respectivas horas de trabajo necesarias si no se presenta una copia del documento de compra. En caso de que la reparación tenga que ser realizada por nuestro departamento de servicio, el coste del transporte (ida y vuelta) correrá íntegramente a cargo del remitente (cliente). Las herramientas deberán ser enviadas para su reparación a la empresa o a un taller autorizado en la forma y medio de transporte adecuados.

EXENCIONES Y RESTRICCIONES DE LA GARANTÍA:

- 1) Piezas de recambio que se desgasten de forma natural como consecuencia de su uso (escobillas, cables, interruptores, mandriles, etc.).
- 2) Herramientas dañadas como consecuencia del incumplimiento de las instrucciones del fabricante.
- 3) Herramientas mal mantenidas.
- 4) Utilización de lubricantes o accesorios inadecuados.
- 5) Herramientas cedidas gratuitamente a terceros.
- 6) Daños debidos a una conexión eléctrica a una tensión distinta de la indicada en la placa del aparato.
- 7) Conexión a una fuente de alimentación no puesta a tierra.
- 8) Cambio de la tensión de corriente.
- 9) Daños debidos al uso de agua salada (por ejemplo, lavadoras, bombas).
- 10) Daños o mal funcionamiento resultantes de un procedimiento de limpieza inadecuado de la herramienta.
- 11) Contacto de la herramienta con productos químicos, o daños como consecuencia de la humedad o la corrosión.
- 12) Herramientas que hayan sido modificadas o abiertas por personal no autorizado.
- 13) Piezas/componentes rotos como consecuencia de un uso inadecuado.
- 14) Herramientas utilizadas en alquiler.

La garantía cubre únicamente la sustitución gratuita del componente que presente un defecto de fabricación o fallo de material. En caso de falta de un repuesto específico, la empresa se reserva el derecho de sustituir la herramienta por otro modelo correspondiente. Una vez concluidos todos los procedimientos de garantía, el periodo de garantía de la herramienta no se ampliará ni renovará. La sustitución de una pieza de recambio con cargo de reparación está cubierta por una garantía de 1 año de buen funcionamiento, siempre que se cumplan las condiciones de la garantía. Las piezas de recambio o herramientas sustituidas permanecen en posesión de nuestra empresa. No se aplican otros requisitos, distintos de los mencionados en este formulario de garantía, en relación con la reparación de herramientas eléctricas o sus daños. La ley griega y las normativas relativas se aplican a esta garantía.

GARANCIJE**HR**

Električni alati proizvedeni su prema strogim standardima, koje je postavila naša tvrtka i usklađeni su s odgovarajućim europskim standardima kvalitete. Električni alati naše tvrtke dolaze s jamstvom od 24 mjeseca za neprofesionalnu uporabu i 12 mjeseci za profesionalnu uporabu. Jamstvo vrijedi od dana kupnje proizvoda. Dokaz o jamstvenom pravu je dokument o nabavi alata (potvrda o prodaji ili faktura). Tvrtka ni pod kojim uvjetima neće pokriti troškove rezervnih dijelova i potrebnih radnih sati ako kopija dokumenta o nabavi nije predočena. Ako popravak treba obaviti naša postprodajna služba, troškovi prijevoza (povratno putovanje) u potpunosti su odgovornost pošiljatelja (kupca). Alati se moraju poslati na popravak tvrtki ili ovlaštenoj radionici na odgovarajući način i odgovarajućim prijevoznim sredstvima.

IZUZEĆA I OGRANIČENJA JAMSTVA:

- 1) Rezervni dijelovi koji se prirodno istroše nakon uporabe (metla, kabeli, prekidači, stezne glave itd.).
- 2) Alati oštećeni kao rezultat nepoštivanja uputa proizvođača.
- 3) Loše održavani alati.
- 4) Upotreba nepravilnih maziva ili pribora.
- 5) Alati koji se besplatno daju trećim stranama.
- 6) Oštećenja zbog nepravilnog električnog priključka ili napona različitog od onog navedenog na pločici uređaja.
- 7) Priključak na nezemaljsko napajanje.
- 8) Neprihvatljiva fluktuacija napona.
- 9) Oštećenja nastala uporabom slane vode (npr. perilice rublja, pumpe).
- 10) Oštećenja ili kvarovi koji su posljedica nepravilnog postupka čišćenja uređaja.
- 11) Kontakt alata s kemikalijama ili oštećenja nastala vlagom ili korozijom.
- 12) Alati koje je modificiralo ili otvorilo neovlašteno osoblje.
- 13) Slomljeni dijelovi/komponente kao rezultat neprikladne uporabe.
- 14) Alati koji se koriste za iznajmljivanje.

Jamstvo pokriva samo besplatnu zamjenu komponente koja ima proizvodni nedostatak ili kvar hardvera. U slučaju da nedostaje određeni rezervni dio, tvrtka zadržava pravo zamijeniti alat drugim odgovarajućim modelom. Nakon završetka svih jamstvenih postupaka, jamstveni rok alata neće se produžiti ili obnoviti. Zamjena rezervnog dijela, kao i troškovi popravka, pokriveni su jednogodišnjim jamstvom na dobro funkcioniranje, uz poštivanje jamstvenih uvjeta. Rezervni dijelovi ili zamijenjeni alati ostaju u posjedu naše tvrtke. Zahtjevi, osim onih navedenih u ovom jamstvenom obrascu, koji se odnose na popravak električnih alata ili njihovo oštećenje, ne primjenjuju se. Grčko pravo i njegovi propisi primjenjuju se na ovo jamstvo.

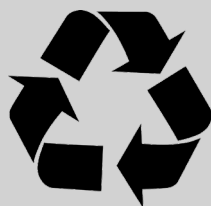
GWARANCJA**PL**

Elektronarzędzia zostały wyprodukowane zgodnie z rygorystycznymi normami ustalonymi przez naszą firmę, które są zgodne z odpowiednimi europejskimi normami jakości. Elektronarzędzia naszej firmy są objęte 24-miesięcznym okresem gwarancyjnym dla użytku nieprofesjonalnego i 12-miesięcznym dla użytku profesjonalnego. Gwarancja jest ważna od daty zakupu produktu. Dowodem prawa do gwarancji jest dokument zakupu narzędzia (paragon lub faktura). W żadnym wypadku firma nie pokryje odpowiednich kosztów części zamiennych i wymaganych godzin pracy, jeśli nie zostanie przedstawiona kopia dokumentu zakupu. W przypadku, gdy naprawa musi zostać wykonana przez nasz dział serwisowy, koszt transportu (do i z) jest w całości ponoszony przez nadawcę (klienta). Narzędzia muszą zostać wysłane do naprawy do firmy lub autoryzowanego warsztatu w odpowiedni sposób i środkami transportu.

WYŁĄCZENIA I OGRANICZENIA GWARANCJI:

- 1) Części zamienne, które zużywają się w sposób naturalny w wyniku użytkowania (szczotki, kable, przelączniki, uchwyty itp.)
- 2) Narzędzia uszkodzone w wyniku nieprzestrzegania instrukcji producenta.
- 3) Narzędzia źle konserwowane.
- 4) Używanie niewłaściwych smarów lub akcesoriów.
- 5) Narzędzia przekazane nieodpłatnie osobom trzecim.
- 6) Uszkodzenia spowodowane podłączeniem elektrycznym o napięciu innym niż wskazane na tabliczce znamionowej urządzenia.
- 7) Podłączenie do nieuziemionego źródła zasilania.
- 8) Zmiana napięcia prądu.
- 9) Uszkodzenia wynikające z używania słonej wody (np. pralki, pompy).
- 10) Uszkodzenia lub nieprawidłowe działanie wynikające z niewłaściwego czyszczenia urządzenia.
- 11) Kontakt narzędzia z chemikaliami lub uszkodzenie w wyniku wilgoci lub korozji.
- 12) Narzędzia, które zostały zmodyfikowane lub otwarte przez nieupoważniony personel.
- 13) Uszkodzone części/elementy w wyniku niewłaściwego użytkowania.
- 14) Narzędzia używane do wynajmu.

Gwarancja obejmuje wyłącznie bezpłatną wymianę komponentu, który wykazuje wadę produkcyjną lub awarię materiałową. W przypadku braku określonej części zamiennej firma zastrzega sobie prawo do wymiany narzędzia na inny odpowiedni model. Po zakończeniu wszystkich procedur gwarancyjnych okres gwarancji na narzędzie nie zostanie przedłużony ani odnowiony. Wymiana części zamiennej za opłatą za naprawę jest objęta roczną gwarancją dobrego działania, pod warunkiem przestrzegania warunków gwarancji. Wymienione części zamienne lub narzędzia pozostają w posiadaniu naszej firmy. Wymagania inne niż wymienione w niniejszym formularzu gwarancyjnym, dotyczące naprawy lub uszkodzenia elektronarzędzi, nie mają zastosowania. Do niniejszej gwarancji mają zastosowanie przepisy prawa greckiego i przepisy pokrewne.



The instructions manual is also available in digital format on our website
www.nikolaoutools.com. Find it by entering the product code in the Search "Q" field.

Μπορείτε να βρείτε τις οδηγίες χρήσης και σε ηλεκτρονική μορφή μέσω της ιστοσελίδας μας
www.nikolaoutools.com. Αναζητήστε τις με τον κωδικό προϊόντος στο πεδίο Αναζήτηση "Q".