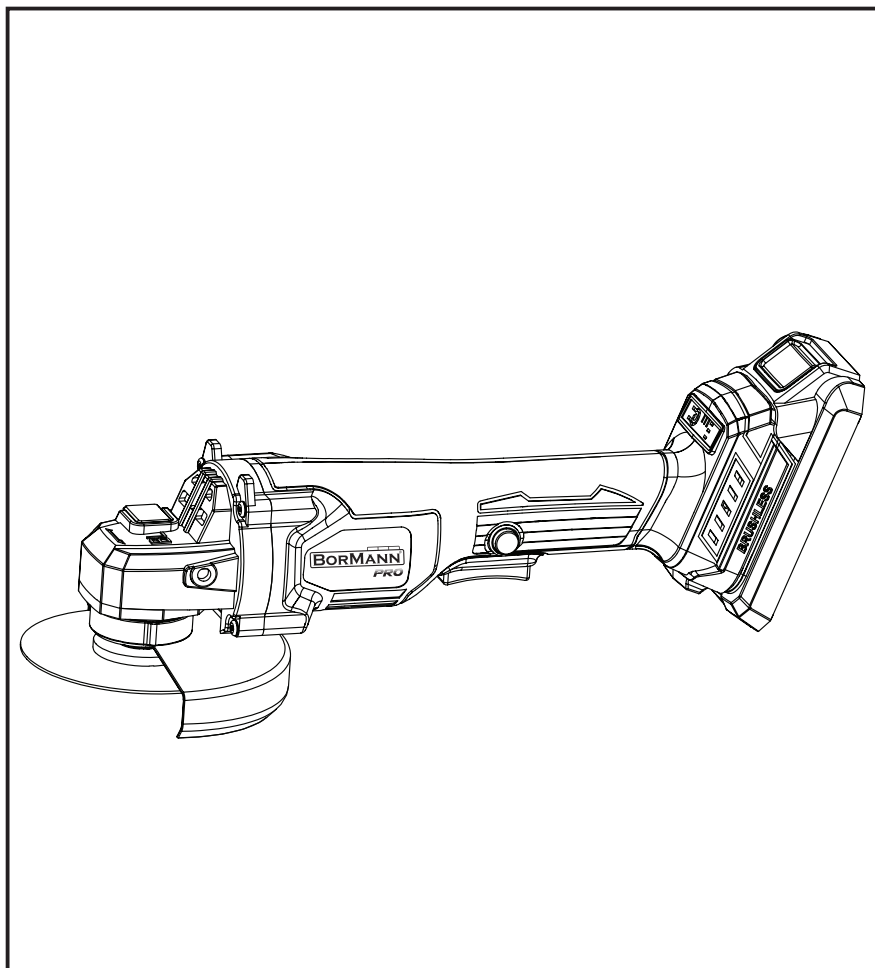


BORMANN® *PRO*



BBP3650
081449

EN IT
EL BG
RO HR
HU

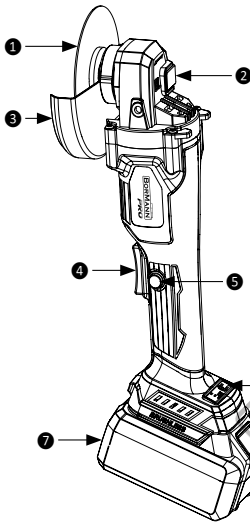


WWW.NIKOLAOUTOOLS.COM

SCAN ME



MAIN PARTS / PARTI PRINCIPALI / ΚΥΡΙΑ ΜΕΡΗ / ОСНОВНИ ЧАСТИ /
PIESE PRINCIPALE / GLAVNI DIJELOVI / FŐ ALKATRÉSZEK



EN 1. Disc
IT 1. Disco
EL 1. Δίσκος
BG 1. Диск
RO 1. Disc
HR 1. Disk
HU 1. Lemez

EN 2. Spindle lock button
IT 2. Pulsante di blocco del mandrino
EL 2. Κομπι κλειδώματος άξονα
BG 2. Бутон за заключване на шпиндела
RO 2. Buton de blocare a axului
HR 2. Gumb za zaključavanje vretena
HU 2. Orsó reteszelő gomb

EN 3. Safety guard
IT 3. Protezione di sicurezza
EL 3. Προφυλακτήρας
BG 3. Предпазен кожух
RO 3. Protecție de siguranță
HR 3. Sigurnosni štitnik
HU 3. Biztonsági ór

EN 4. ON/OFF trigger
IT 4. Grilletto ON/OFF (accesso/spento)
EL 4. Σκανδάλη ON/OFF
BG 4. Спусък ON/OFF (вкл/изкл)
RO 4. Tragaci ON/OFF (pornit/oprit)
HR 4. Okidač ON/OFF (uključ/isključ)
HU 4. ON/OFF kioldó

EN 5. Lock button
IT 5. Pulsante di blocco
EL 5. Κομπι κλειδώματος
BG 5. Бутон за заключване
RO 5. Buton de blocare
HR 5. Gumb za zaključavanje
HU 5. Zár gomb

EN 6. Battery capacity indicator light
IT 6. Spia della capacità della batteria
EL 6. Ενδεικτική λυχνία χωρητικότητας μπαταρίας
BG 6. Индикатор за капацитет на батерията
RO 6. Indicator luminos al capacității bateriei
HR 6. Indikatorska lampica kapaciteta baterije
HU 6. Az akkumulátor kapacitásának jelzőfénye

EN 7. Battery (Not included)
IT 7. Batteria (Non incluso)
EL 7. Μπαταρία (Δεν περιλαμβάνεται)
BG 7. Батерия (Не е включено)
RO 7. Baterie (Nu este inclus)
HR 7. Baterija (Nije uključeno)
HU 7. Akkumulátor (Nem tartozék)

EN 8. Battery release button
IT 8. Pulsante di rilascio della batteria
EL 8. Κομπι απασφάλισης μπαταρίας
BG 8. Бутон за освобождаване на батерията
RO 8. Buton de eliberare a bateriei
HR 8. Gumb za otpuštanje baterije
HU 8. Akkumulátor kioldó gomb

EN

SAFETY SYMBOLS



Wear eye protection.



Wear hearing protection.



Wear protective gloves.



Wear a dust mask.



Wear protective clothing.



Do not expose the unit to rain or moisture.

SAFETY INSTRUCTIONS



Warning: Read the manual carefully before use. Failure to follow the warnings and instructions may result in damage to the unit, physical injury and/or damage to property. Store the manual in a safe place for future reference.

Work area safety

- Keep the work area clean and well lit. Dark or cluttered areas could lead to accidents.
- Do not operate power tools in explosive atmospheres, such as in the presence of flammable liquids or fumes, gases or dust. Power tools could create sparks which may ignite the gases or fumes.
- Keep children and bystanders at a safe distance while operating the power tool.

Electrical safety

- Make sure that power tool plugs match the outlet. Do not ever modify the plug in any way. Do not use adapter plugs with earthed power tools. Using unmodified plugs and matching outlets will reduce the risk of electric shock.
- Avoid body contact with earthed or grounded materials or objects, such as radiators, pipes, ranges and refrigerators. There is a tremendous risk of electric shock if your body is earthed or grounded.
- Do not expose power tools to rain or any other wet conditions. Water entering a power tool could increase the risk of electric shock.
- Do not abuse the power cord. Never use the cord for carrying, pulling or unplugging the electric tool. Keep the cord in a safe distance from heat, oil, sharp edges and any moving parts. Damaged or entangled cords will increase the risk of electric shock.
- When operating an electric power tool outdoors, use an extension cable which has the appropriate specifications for outdoor use. Use of an extension cable suitable for outdoor use reduces the risk of electric shock.

Personal safety

- Stay alert, watch what you are doing and use common sense when operating the power tool. Do not use the power tool if you are feeling tired or are under the influence of alcohol, drugs, or medication. A moment of inattention while operating the power tool may result in serious personal injury.
- Use personal protective equipment. Always wear eye protection. Protective equipment such as a dust mask, hearing protection, non-skid safety shoes or protective helmets, used in appropriate conditions will reduce the risk of sustaining personal injuries.
- Prevent unintentional starting. Ensure the power switch is in the off position before connecting to power source and/or battery pack, picking up or carrying the power tool. Carrying power tools with your finger on the power switch or connecting power tools that have the switch in the on position to a power source can lead to accidents.
- Remove any adjusting keys or wrenches before turning on the power tool. An adjusting key or a wrench left attached to a rotating part of the power tool may result in personal injury.
- Do not overreach. Keep balance and proper footing at all times. This helps the operator have better control of the power tool in unexpected situations.
- Dress properly. Do not wear loose clothing or jewellery. Keep your hair, clothing and gloves away from any moving parts. Loose clothes, jewellery and/or long hair can be caught in moving parts.

Power tool use and care

- Do not force the power tool. Use the correct power tool for the each application. The correct power tool will always do the job better and safer when used as intended.
- Do not use the power tool if the switch does not turn it on or off. Any power tool that cannot be controlled with the switch is extremely dangerous and must be repaired.
- Disconnect the main plug from the power source and/or the battery pack from the power tool before changing accessories, making any adjustments, or storing the power tool. Such preventive safety measures will reduce the risk of starting the power tool accidentally.
- When the power tool is not in use, store it out of the reach of children and do not allow persons unfamiliar with the power tool or these instructions to use and operate the power tool. Power tools are extremely dangerous in the hands of untrained users.

- Maintain the power tool. Check for misalignment or binding of moving parts, breakage of parts, leakage and any other issue that may affect the power tool's operation. If damaged, have the power tool repaired before use. Many accidents and injuries are caused by poorly maintained power tools.
- Keep the cutting parts of the power tool sharp and clean. Properly maintained cutting tools with sharp cutting edges are less likely to bind and are more precise and easier to control.
- Always use the power tool, accessories and tool bits etc. in accordance with the instructions of this instruction manual, taking into account the working conditions and the work that is to be performed. Use of the power tool for applications different from those intended could result in personal injury or cause damage to the power tool.
- Keep the handles and any grasping surfaces of the power tool dry, clean and free of oil and grease. Slippery handles and grasping surfaces do not allow for safe handling of the tool in unexpected circumstances.

Battery tool use and care

- Recharge the batteries only with the charger specified by the manufacturer. A charger that is used to charge unsuitable batteries can create a risk of fire.
- Use the power tool only with the specifically designated battery packs. Use of any other battery packs may create a risk of injury and fire.
- When the battery pack is not in use, keep it away from other metal objects, like paper clips, coins, keys, nails, screws or other small metal objects that can make a connection from one terminal to another. Shorting the battery terminals together may cause burns or a fire.
- Under abusive conditions, liquid may be ejected from the battery; avoid contact. If contact accidentally occurs, flush with water. If liquid contacts eyes, seek medical help immediately. Liquid ejected from the battery may cause irritation or burns.
- Do not use a battery pack that is damaged or modified. Damaged or modified batteries may not function as intended, resulting in fire or explosion.
- Do not expose a battery pack to fire or excessive temperatures. Exposure to fire or temperatures above 130°C may cause an explosion.

Service

- Have the power tool serviced by the manufacturer or by qualified service personnel, using only identical replacement parts. This will ensure that the safety of the power tool is maintained.
- Never attempt to repair damaged battery packs on your own. Service of battery packs should only be performed by the manufacturer or authorized service technicians.

Safety instructions for the battery pack

- Do not dismantle, open, smash or burn the battery pack.
- Protect the battery against heat (e.g., against continuous intense sunlight), fire, water and moisture. There is a risk of explosion.
- Do not short-circuit the battery pack. Do not store the battery pack inappropriately in a box or drawer where they may short-circuit each other or be short-circuited by conductive materials. When battery pack is not in use, keep it away from other metal objects, like paper clips, coins, keys, nails, screws or other small metal objects, that can make a connection from one terminal to another. Shorting the battery terminals together may cause burns or a fire.
- Before using the power tool, ensure that the battery pack is properly installed.
- Make sure to remove the battery prior to making any adjustments or changing accessories, before carrying out maintenance or repair work and before storing the tool.
- Do not charge damaged batteries.
- The battery pack gets a little warm during the charging process. This is normal.
- Charge the battery pack fully before storage.
- Store the battery in an area where the ambient temperature range is 0-45°C. Do not store the battery in areas where the temperature is lower or higher than the specified range.
- If the battery life is significantly shortened after recharging, replace the battery pack or send it to the manufacturer or a service center for repairs.

Safety instructions for angle grinders

- Do not operate the tool if you are ill, fatigued, or under the influence of alcohol or medication that can affect your ability to react.

- Before using the tool, ensure that the tool and the battery are in good condition. Do not operate the tool if it is damaged in any way.
- Hold the power tool by insulated gripping surfaces only, when performing an operation where the disc may contact hidden wiring. Contact with a "live" wire will also make exposed metal parts of the power tool "live" and could give the operator an electric shock.
- Maintain a firm grip on the power tool's handles.
- Fixing the workpiece in a fixing device such as a vice is more secure than holding the workpiece by hand.
- Make sure that the workplace is clean and well-ventilated. Operation of the power tool may produce dust that is harmful to health as well as flammable dust.
- Wait until the disc has come to a complete stop before laying down the power tool. The spinning disc may grab the surface and pull the power tool out of your control.
- Keep your hands away from the rotating disc.
- Keep your balance at all times during operation.
- During operation, always wear safety goggles with side shields, a dust mask and hearing protection.

TECHNICAL DATA

| | |
|------------------------------|--|
| Voltage | 20 V (Li-ion) |
| No load speed | 3000/5400/8000 rpm |
| Disc diameter | 125 mm |
| Motor | Brushless |
| Flange nut | M14 |
| Other characteristics | Adjustable Speed, Keyless Guard Adjustment |
| Weight without battery(SOLO) | 1.5 kg |

Includes: 1 pc grinding disc ϕ 125mm, 1 pc three position side handle, 1pc angle grinder wrench, Aluminium gear box with spindle lock

OPERATING INSTRUCTIONS



Attention: Make sure to charge the battery pack fully before operating the power tool. Do not charge the battery in an area where the ambient temperature is lower than 0°C or higher than 40°C.

Charging the battery



Caution: Use only the appropriate charger for charging the battery pack.

1. Connect the charger to a power socket.
2. Align the protruding ribs on the battery with the slot of the charger.
3. Plug the battery in the charger.
4. Once the battery has been fully charged, the green LED light on the charger will light up.

Installing the battery



Caution: Do not install unsuitable batteries on the power tool. Using batteries from other manufacturers can cause fire and injury.

1. Align the protruding rib on the battery with the groove at the bottom of the angle grinder.
2. Insert the battery onto the power tool.



Caution: Make sure that the battery is properly secured onto the power tool.

Charger indicator light

| Battery status | Indicator light |
|--|--|
| High/low temperature | Red light flashing. Charging will begin once the battery temperature reaches 0-40°C. |
| The battery or charger is out of order | Red light long flashing or not flashing. |
| Charging | Red light flashing. |
| Fully charged | Green light flashing. |

MAINTENANCE



Caution: Remove the battery before performing maintenance work on the power tool.

- Check the mounting screws regularly to make sure they are well tightened.
- Check the charger cable regularly. If damage is found, send the charger to the manufacturer or to an authorized service center for repair.
- Keep the ventilation openings clean and unobstructed.
- When cleaning the power tool, avoid using solvents that cause damage to plastic. Use a soft cloth dampened with warm soapy water.
- When cleaning the power tool, make sure that water doesn't enter the motor.

ENVIRONMENTAL DISPOSAL

In order to avoid damages on transportation, the tool has to be delivered in solid packaging. Packaging as well as the unit and accessories are made of recyclable materials and can be disposed accordingly. The tool's plastics components are marked according to their material, which makes it possible to remove environmental friendly and differentiated because of available collection facilities.



Only for EU countries

Do not dispose of electric tools together with household waste material!

In observance of European Directive 2002/96/EC on waste electrical and electronic equipment and its implementation in accordance with national law, electric tools that have reached the end of their life must be collected separately and returned to an environmentally compatible recycling facility.

** The manufacturer reserves the right to make minor changes to product design and technical specifications without prior notice unless these changes significantly affect the performance and safety of the products. The parts described / illustrated in the pages of the manual that you hold in your hands may also concern other models of the manufacturer's product line with similar features and may not be included in the product you just acquired.*

** To ensure the safety and reliability of the product and the warranty validity, all repair, inspection or replacement work, including maintenance and special adjustments, must only be carried out by technicians of the authorized service department of the manufacturer.*

** Always use the product with the supplied equipment. Operation of the product with non-provided equipment may cause malfunctions or even serious injury or death. The manufacturer and the importer shall not be liable for injuries and damages resulting from the use of non-conforming equipment.*

SIMBOLI DI SICUREZZA

| | | |
|--|--|--|
|  <p>Indossare una protezione per gli occhi.</p> |  <p>Indossare una protezione per l'udito.</p> |  <p>Indossare guanti protettivi.</p> |
|  <p>Indossare una maschera antipolvere.</p> |  <p>Indossare indumenti protettivi.</p> |  <p>Non esporre l'unità alla pioggia o all'umidità.</p> |

ISTRUZIONI DI SICUREZZA



Attenzione: Leggere attentamente il manuale prima dell'uso. La mancata osservanza delle avvertenze e delle istruzioni può causare danni all'unità, lesioni fisiche e/o danni alle cose. Conservare il manuale in un luogo sicuro per future consultazioni.

Sicurezza dell'area di lavoro

- Mantenere l'area di lavoro pulita e ben illuminata. Aree buie o disordinate possono causare incidenti.
- Non utilizzare gli utensili elettrici in atmosfere esplosive, ad esempio in presenza di liquidi o fumi infiammabili, gas o polveri. Gli utensili elettrici possono creare scintille che possono incendiare i gas o i fumi.
- Tenere i bambini e gli astanti a distanza di sicurezza durante l'uso dell'elettrostrumento.

Sicurezza elettrica

- Assicurarsi che le spine degli utensili elettrici corrispondano alla presa di corrente. Non modificare mai la spina in alcun modo. Non utilizzare spine adattatrici con utensili elettrici dotati di messa a terra. L'uso di spine non modificate e di prese corrispondenti riduce il rischio di scosse elettriche.
- Evitare il contatto del corpo con materiali o oggetti collegati a terra, come radiatori, tubi, cucine e frigoriferi. Il rischio di scosse elettriche è molto elevato se il corpo è collegato a terra.
- Non esporre gli utensili elettrici alla pioggia o ad altre condizioni di umidità. L'ingresso di acqua in un utensile elettrico può aumentare il rischio di scosse elettriche.
- Non abusare del cavo di alimentazione. Non utilizzare mai il cavo per trasportare, tirare o scollegare l'utensile elettrico. Tenere il cavo a distanza di sicurezza da calore, olio, bordi taglienti e parti in movimento. I cavi danneggiati o aggrovigliati aumentano il rischio di scosse elettriche.
- Quando si utilizza un elettrostrumento all'aperto, utilizzare un cavo di prolunga con caratteristiche adeguate all'uso esterno. L'uso di una prolunga adatta all'uso esterno riduce il rischio di scosse elettriche.

Sicurezza personale

- Rimanere vigili, fare attenzione a ciò che si fa e usare il buon senso quando si utilizza l'elettrostrumento. Non utilizzare l'elettrostrumento in caso di stanchezza o sotto l'effetto di alcol, droghe o farmaci. Un momento di disattenzione durante l'uso dell'elettrostrumento può causare gravi lesioni personali.
- Utilizzare i dispositivi di protezione individuale. Indossare sempre una protezione per gli occhi. Dispositivi di protezione come maschere antipolvere, protezioni per l'udito, scarpe di sicurezza antiscivolo o caschi protettivi, utilizzati in condizioni adeguate, riducono il rischio di lesioni personali.
- Prevenire l'avviamento involontario. Assicurarsi che l'interruttore di alimentazione sia in posizione off prima di collegare la fonte di alimentazione e/o la batteria, di sollevare o trasportare l'elettrostrumento. Il trasporto di utensili elettrici con il dito sull'interruttore di alimentazione o il collegamento di utensili elettrici con l'interruttore in posizione di accensione a una fonte di alimentazione possono causare incidenti.
- Togliere le chiavi di regolazione o le chiavi inglesi prima di accendere l'elettrostrumento. Una chiave di regolazione o una chiave lasciata attaccata a una parte rotante dell'elettrostrumento può provocare lesioni personali.
- Non sporgersi eccessivamente. Mantenere sempre l'equilibrio e una posizione corretta. Questo aiuta l'operatore a controllare meglio l'elettrostrumento in situazioni impreviste.

- Vestirsi in modo appropriato. Non indossare abiti larghi o gioielli. Tenere i capelli, gli indumenti e i guanti lontani dalle parti in movimento. Vestiti larghi, gioielli e/o capelli lunghi possono impigliarsi nelle parti in movimento.

Uso e cura degli elettrotensili

- Non forzare l'elettrotensile. Utilizzare l'elettrotensile corretto per ogni applicazione. L'utensile corretto svolge sempre il lavoro in modo migliore e più sicuro se utilizzato come previsto.
- Non utilizzare l'elettrotensile se l'interruttore non lo accende o lo spegne. Qualsiasi utensile elettrico che non può essere controllato con l'interruttore è estremamente pericoloso e deve essere riparato.
- Scollegare la spina principale dalla fonte di alimentazione e/o la batteria dall'elettrotensile prima di cambiare gli accessori, effettuare regolazioni o riporre l'elettrotensile. Queste misure di sicurezza preventive riducono il rischio di avviamento accidentale dell'elettrotensile.
- Quando l'elettrotensile non è in uso, riporlo fuori dalla portata dei bambini e non consentire l'uso e l'utilizzo dell'elettrotensile a persone che non hanno familiarità con l'elettrotensile o con le presenti istruzioni. Gli utensili elettrici sono estremamente pericolosi nelle mani di utenti non addestrati.
- Manutenzione dell'elettrotensile. Verificare che non vi siano disallineamenti o impedimenti delle parti mobili, rotture di parti, perdite e qualsiasi altro problema che possa influire sul funzionamento dell'elettrotensile. Se danneggiato, far riparare l'elettrotensile prima dell'uso. Molti incidenti e infortuni sono causati da una cattiva manutenzione degli elettrotensili.
- Mantenere le parti taglienti dell'elettrotensile affilate e pulite. Gli utensili da taglio sottoposti a una corretta manutenzione e dotati di bordi taglienti affilati hanno minori probabilità di piegarsi e sono più precisi e facili da controllare.
- Utilizzare sempre l'elettrotensile, gli accessori e le punte per utensili ecc. in conformità alle istruzioni del presente manuale, tenendo conto delle condizioni di lavoro e dell'attività da svolgere. L'uso dell'elettrotensile per applicazioni diverse da quelle previste potrebbe causare lesioni personali o danni all'elettrotensile.
- Mantenere le impugnature e le superfici di presa dell'elettrotensile asciutte, pulite e prive di olio e grasso. Impugnature e superfici di presa scivolose non consentono di maneggiare l'utensile in modo sicuro in circostanze impreviste.

Uso e cura della batteria

- Ricaricare le batterie solo con il caricabatterie specificato dal produttore. Un caricabatterie utilizzato per caricare batterie non idonee può creare un rischio di incendio.
- Utilizzare l'elettrotensile solo con le batterie specificatamente indicate. L'uso di altri pacchi batteria può comportare il rischio di lesioni e incendi.
- Quando il pacco batteria non è in uso, tenerlo lontano da altri oggetti metallici, come graffette, monete, chiavi, chiodi, viti o altri piccoli oggetti metallici che possono creare un collegamento da un terminale all'altro. Il cortocircuito dei terminali della batteria può causare ustioni o incendi.
- In caso di condizioni difficili, dalla batteria può fuoriuscire del liquido; evitare il contatto. In caso di contatto accidentale, sciacquare con acqua. Se il liquido entra in contatto con gli occhi, rivolgersi immediatamente a un medico. Il liquido espulso dalla batteria può causare irritazioni o ustioni.
- Non utilizzare un pacco batteria danneggiato o modificato. Le batterie danneggiate o modificate potrebbero non funzionare come previsto e causare incendi o esplosioni.
- Non esporre il pacco batteria al fuoco o a temperature eccessive. L'esposizione al fuoco o a temperature superiori a 130°C può causare un'esplosione.

Servizio

- Far revisionare l'elettrotensile dal produttore o da personale qualificato, utilizzando solo parti di ricambio identiche. In questo modo si garantisce la sicurezza dell'elettrotensile.
- Non tentare mai di riparare da soli i pacchi batteria danneggiati. La manutenzione dei pacchi batteria deve essere eseguita solo dal produttore o da tecnici autorizzati.

Istruzioni di sicurezza per il pacco batteria

- Non smontare, aprire, rompere o bruciare il pacco batteria.
- Proteggere la batteria dal calore (ad esempio, dalla luce solare intensa e continua), dal fuoco, dall'acqua e dall'umidità. Esiste il rischio di esplosione.
- Non cortocircuitare il pacco batteria. Non riporre il pacco batteria in modo inappropriato in una scatola o in un cassetto dove potrebbero entrare in cortocircuito l'uno con l'altro o essere messi in cortocircuito da materiali conduttivi. Quando il gruppo batteria non è in uso, tenerlo lontano da altri oggetti metallici, come graffette, monete, chiavi, chiodi, viti o altri piccoli oggetti metallici, che possono creare un collegamento da un terminale all'altro. Il cortocircuito dei terminali della batteria può causare ustioni o incendi.

- Prima di utilizzare l'elettrotensile, accertarsi che la batteria sia installata correttamente.
- Rimuovere la batteria prima di effettuare regolazioni o sostituire gli accessori, prima di eseguire lavori di manutenzione o riparazione e prima di riporre l'utensile.
- Non caricare le batterie danneggiate.
- Il pacco batteria si scalda leggermente durante il processo di carica. Questo è normale.
- Caricare completamente la batteria prima di riparla.
- Conservare la batteria in un'area in cui la temperatura ambiente sia compresa tra 0 e 45°C. Non conservare la batteria in aree in cui la temperatura è inferiore o superiore all'intervallo specificato.
- Se la durata della batteria si riduce significativamente dopo la ricarica, sostituire il pacco batteria o inviarlo al produttore o a un centro di assistenza per la riparazione.

Istruzioni di sicurezza per le smerigliatrici angolari

- Non utilizzare l'utensile in caso di malattia, affaticamento o sotto l'effetto di alcol o farmaci che possono compromettere la capacità di reazione.
- Prima di utilizzare l'utensile, accertarsi che l'utensile e la batteria siano in buone condizioni. Non utilizzare l'utensile se è danneggiato in qualche modo.
- Quando si esegue un'operazione in cui il disco può entrare in contatto con cavi nascosti, tenere l'utensile solo con le superfici di presa isolate. Il contatto con un filo "sotto tensione" renderà "sotto tensione" anche le parti metalliche esposte dell'elettrotensile e potrebbe provocare una scossa elettrica all'operatore.
- Mantenere una presa salda sulle impugnature dell'elettrotensile.
- Fissare il pezzo in un dispositivo di fissaggio come una morsa è più sicuro che tenerlo a mano.
- Assicurarsi che il luogo di lavoro sia pulito e ben ventilato. Il funzionamento dell'elettrotensile può produrre polvere dannosa per la salute e polvere infiammabile.
- Attendere che il disco si arresti completamente prima di posare l'elettrotensile. Il disco rotante potrebbe afferrare la superficie e far perdere il controllo all'elettrotensile.
- Tenere le mani lontane dal disco rotante.
- Mantenere sempre l'equilibrio durante il funzionamento.
- Durante il funzionamento, indossare sempre occhiali di sicurezza con schermi laterali, una maschera antipolvere e una protezione per l'udito.

DATI TECNICI

| | |
|----------------------------|--|
| Tensione | 20 V (Li-ion) |
| Velocità a vuoto | 3000/5400/8000 giri/min |
| Diametro del disco | 125 mm |
| Motore | Brushless (Senza spazzole) |
| Dado della flangia | M14 |
| Altre caratteristiche | Velocità regolabile, regolazione della protezione senza chiavi |
| Peso senza batteria (SOLO) | 1,5 kg |

Include: 1 disco abrasivo da $\phi 125$ mm, 1 impugnatura laterale a tre posizioni, 1 chiave per smerigliatrice angolare, scatola ingranaggi in alluminio con blocco mandrino

ISTRUZIONI PER L'USO



Attenzione: Assicurarsi di caricare completamente la batteria prima di utilizzare l'elettrotensile. Non caricare la batteria in un'area con temperatura ambiente inferiore a 0°C o superiore a 40°C.

Carica della batteria



Attenzione: Per caricare il pacco batteria, utilizzare solo il caricabatterie appropriato.

1. Collegare il caricabatterie a una presa di corrente.
2. Allineare le nervature sporgenti della batteria con la fessura del caricatore.
3. Inserire la batteria nel caricatore.
4. Una volta che la batteria è stata completamente caricata, la spia LED verde del caricabatterie si accende.

Installazione della batteria



Attenzione: Non installare sull'elettrotroutensile batterie non adatte. L'uso di batterie di altri produttori può causare incendi e lesioni.

1. Allineare la nervatura sporgente della batteria con la scanalatura sul fondo della smerigliatrice angolare.
2. Inserire la batteria nell'elettrotroutensile.



Attenzione: Assicurarsi che la batteria sia fissata correttamente all'elettrotroutensile.

Spia del caricabatterie

| Stato della batteria | Spia luminosa |
|--|---|
| Temperatura alta/bassa | La luce rossa lampeggia. La carica inizierà quando la temperatura della batteria avrà raggiunto 0-40°C. |
| La batteria o il caricabatterie sono fuori uso | La luce rossa lampeggia a lungo o non lampeggia. |
| Carica | Luce rossa lampeggiante. |
| Completamente carica | Luce verde lampeggiante. |

MANUTENZIONE



Attenzione: Rimuovere la batteria prima di eseguire interventi di manutenzione sull'elettrotroutensile.

- Controllare regolarmente le viti di montaggio per verificare che siano ben serrate.
- Controllare regolarmente il cavo del caricabatterie. Se si riscontrano danni, inviare il caricabatterie al produttore o a un centro di assistenza autorizzato per la riparazione.
- Mantenere le aperture di ventilazione pulite e non ostruite.
- Per la pulizia dell'elettrotroutensile, evitare l'uso di solventi che danneggiano la plastica. Utilizzare un panno morbido inumidito con acqua calda e sapone.
- Quando si pulisce l'elettrotroutensile, assicurarsi che l'acqua non penetri nel motore.

SMALTIMENTO AMBIENTALE

Per evitare danni durante il trasporto, il dispositivo deve essere consegnato in un imballaggio solido. L'imballaggio, l'unità e gli accessori sono realizzati con materiali riciclabili e possono essere smaltiti di conseguenza. I componenti in plastica del dispositivo sono contrassegnati in base al loro materiale, il che rende possibile la rimozione dei rifiuti ecologici e differenziati grazie alle strutture di raccolta disponibili.



Solo per i paesi dell'UE

Non smaltire i dispositivi elettrici insieme ai rifiuti domestici!

In conformità alla direttiva europea 2002/96/CE sui rifiuti di apparecchiature elettriche ed elettroniche e alla sua attuazione in conformità alla legislazione nazionale, i dispositivi elettrici giunti a fine vita devono essere raccolti separatamente e consegnati a un impianto di riciclaggio compatibile con l'ambiente.

** Il produttore si riserva il diritto di apportare modifiche minori al design e alle specifiche tecniche del prodotto senza preavviso, a meno che tali modifiche non influiscano significativamente sulle prestazioni e sulla sicurezza dei prodotti. Le parti descritte/illustrate nelle pagine del manuale che avete tra le mani possono riguardare anche altri modelli della linea di prodotti del produttore con caratteristiche simili e potrebbero non essere incluse nel prodotto appena acquistato.*

** Per garantire la sicurezza e l'affidabilità del prodotto e la validità della garanzia, tutti gli interventi di riparazione, ispezione o sostituzione, compresa la manutenzione e le regolazioni speciali, devono essere eseguiti esclusivamente da tecnici del servizio di assistenza autorizzato dal produttore.*

** Utilizzare sempre il prodotto con l'attrezzatura fornita. L'utilizzo del prodotto con apparecchiature non in dotazione può causare malfunzionamenti o addirittura lesioni gravi o morte. Il produttore e l'importatore non sono responsabili per lesioni e danni derivanti dall'uso di apparecchiature non conformi.*

ΣΥΜΒΟΛΑ ΑΣΦΑΛΕΙΑΣ

| | | |
|---|---|---|
|  |  |  |
| Φοράτε γυαλιά ασφαλείας. | Φοράτε προστατευτικά ακοής. | Φοράτε γάντια προστασίας. |
|  |  |  |
| Φοράτε μάσκα προστασίας. | Φοράτε ρούχα προστασίας. | Μην εκθέτετε τη μονάδα στη βροχή ή σε υγρασία. |

ΟΔΗΓΙΕΣ ΑΣΦΑΛΕΙΑΣ



Προσοχή: Διαβάστε προσεκτικά το εγχειρίδιο πριν από τη χρήση. Η μη τήρηση των προειδοποιήσεων και των οδηγιών μπορεί να οδηγήσει σε βλάβη της μονάδας, τραυματισμό ή να προκαλέσει υλική ζημιά. Φυλάξτε το εγχειρίδιο σε ασφαλές μέρος για μελλοντική αναφορά.

Ασφάλεια στον χώρο εργασίας

- Διατηρείτε τον χώρο εργασίας καθαρό και επαρκώς φωτισμένο. Οι ακατάστατοι και ανεπαρκώς φωτισμένοι χώροι εργασίας μπορεί να οδηγήσουν σε ατυχήματα και τραυματισμό.
- Μην εργάζεστε με το ηλεκτρικό εργαλείο σε χώρους όπου υπάρχει κίνδυνος έκρηξης λόγω ύπαρξης εύφλεκτων υγρών, αερίων ή σκόνης. Τα ηλεκτρικά εργαλεία ενδέχεται να δημιουργήσουν σπινθήρες οι οποίοι μπορούν να αναφλέξουν τη σκόνη ή τα αέρια.
- Όταν χρησιμοποιείτε το ηλεκτρικό εργαλείο κρατάτε τα παιδιά και άλλους παρευρισκόμενους σε ασφαλή απόσταση. Η απόσταση της προσοχής μπορεί να οδηγήσει σε απώλεια ελέγχου του εργαλείου/μηχανήματος.

Ηλεκτρική ασφάλεια

- Το βύσμα του καλωδίου του ηλεκτρικού εργαλείου πρέπει να είναι συμβατό με την πρίζα. Δεν επιτρέπεται η οποιαδήποτε μετατροπή του βύσματος. Μη χρησιμοποιείτε μετατροπείς σε συνδυασμό με γειωμένα ηλεκτρικά εργαλεία. Η χρήση βυσμάτων με συμβατές πρίζες μειώνουν τον κίνδυνο ηλεκτροπληξίας.
- Αποφεύγετε την επαφή με γειωμένες επιφάνειες όπως με σωλήνες, θερμαντικά σώματα (καλοριφέρ), κουζίνες ή ψυγεία. Όταν το σώμα σας γειώνεται αυξάνεται ο κίνδυνος ηλεκτροπληξίας.
- Μην εκθέτετε τα μηχανήματα και τα εργαλεία στη βροχή ή σε υψηλή υγρασία. Η διείσδυση νερού στο ηλεκτρικό εργαλείο αυξάνει τον κίνδυνο ηλεκτροπληξίας.
- Μη χρησιμοποιείτε το καλώδιο για να μεταφέρετε ή να μετακινήσετε το ηλεκτρικό εργαλείο, ή για να βγάλετε το βύσμα από την πρίζα. Κρατάτε το καλώδιο μακριά από πηγές υψηλής θερμοκρασίας, κοφτερά αντικείμενα και από κινούμενα εξαρτήματα. Τα καλώδια που έχουν υποστεί οποιαδήποτε ζημιά αυξάνουν τον κίνδυνο ηλεκτροπληξίας.
- Όταν εργάζεστε μ' ένα ηλεκτρικό εργαλείο σε εξωτερικό χώρο, χρησιμοποιείτε καλώδια προέκτασης (μπαλαντέζες) που είναι κατάλληλα για χρήση σε εξωτερικούς χώρους. Η χρήση καλωδίων προέκτασης κατάλληλων για εξωτερικούς χώρους μειώνει τον κίνδυνο ηλεκτροπληξίας.

Προσωπική ασφάλεια

- Το εργαλείο πρέπει πάντα να χρησιμοποιείται προσεκτικά και με σύνεση. Μη χρησιμοποιείτε το ηλεκτρικό εργαλείο αν νιώθετε κόπωση ή αν βρίσκεστε υπό την επήρεια αλκοόλ ή άλλων ουσιών. Μια στιγμή απροσεξίας κατά τον χειρισμό του ηλεκτρικού εργαλείου μπορεί να οδηγήσει σε σοβαρό τραυματισμό.
- Φοράτε κατάλληλο εξοπλισμό ατομικής προστασίας. Επιλέξτε τον κατάλληλο εξοπλισμό προστασίας, για παράδειγμα μια μάσκα σκόνης, αντιολισθητικές μπότες ασφαλείας, κράνος προστασίας, προστατευτικά ακοής, ανάλογα με το εκάστοτε εργαλείο και τη χρήση του, έτσι ώστε να μειωθεί ο κίνδυνος τραυματισμού.

- Λάβετε μέτρα για να αποφύγετε την ακούσια εκκίνηση. Βεβαιωθείτε ότι το κουμπί ενεργοποίησης του εργαλείου βρίσκεται στη θέση OFF πριν συνδέσετε το βύσμα του καλωδίου στην πρίζα, πριν τοποθετήσετε τις μπαταρίες στο εργαλείο, και πριν το μεταφέρετε ή το κουβαλήσετε. Μην μεταφέρετε το ηλεκτρικό εργαλείο με το δάκτυλό σας να ακουμπάει τον διακόπτη ON/OFF και μην συνδέετε το εργαλείο με την πηγή ρεύματος αν ο διακόπτης βρίσκεται στη θέση ON.
- Αφαιρείτε από τα ηλεκτρικά εργαλεία τυχόν εργαλεία ρύθμισης πριν θέσετε το ηλεκτρικό εργαλείο σε λειτουργία. Ένα εργαλείο ρύθμισης που βρίσκεται συνδεδεμένο σ' ένα κινούμενο τμήμα μπορεί να οδηγήσει σε τραυματισμό.
- Μην τεντώνετε, γέρνετε ή σκύβετε υπερβολικά κατά τη χρήση του εργαλείου. Διατηρήστε την ισορροπία σας και φροντίστε να έχετε σωστή στάση σώματος έτσι ώστε να είστε σε θέση να αντιμετωπίσετε απροσδόκητες καταστάσεις.
- Ντυθείτε με τα κατάλληλα ενδύματα. Μη φοράτε ρούχα με χαλαρή εφαρμογή ή κοσμήματα. Κρατήστε τα μαλλιά, τα ρούχα και τα χέρια σας σε ασφαλή απόσταση από τα κινούμενα εξαρτήματα.

Ορθότητα χειρισμού και συντήρηση ηλεκτρικών εργαλείων

- Μην ασκείτε υπερβολική πίεση στο εργαλείο. Χρησιμοποιήστε το κατάλληλο εργαλείο για τον σκοπό για τον οποίον προορίζεται. Η χρήση του σωστού εργαλείου για τον σκοπό για τον οποίον προορίζεται θα καταστήσει την εργασία ασφαλέστερη.
- Μη χρησιμοποιήσετε ποτέ ένα εργαλείο αν το κουμπί ενεργοποίησής του δεν λειτουργεί. Τα ηλεκτρικά εργαλεία τα οποία δεν μπορούν πλέον να ενεργοποιηθούν ή/και να απενεργοποιηθούν με τα κουμπιά λειτουργίας τους είναι επικίνδυνα και πρέπει να επισκευαστούν.
- Αποσυνδέστε το βύσμα του καλωδίου από την πρίζα ή/και αφαιρέστε την μπαταρία πριν προβείτε σε εργασίες συντήρησης ή αντικατάστασης ενός εξαρτήματος του εργαλείου και πριν αποθηκεύσετε το εργαλείο. Αυτά τα μέτρα πρόληψης μειώνουν τον κίνδυνο της ακούσιας εκκίνησης του ηλεκτρικού εργαλείου.
- Όταν το ηλεκτρικό εργαλείο δεν χρησιμοποιείται, αποθηκεύστε το σε σημείο μη προσβάσιμο από παιδιά και φροντίστε να μη χρησιμοποιείται το εργαλείο από άτομα που δεν έχουν εξοικειωθεί με την χρήση του ή που δεν έχουν διαβάσει τις οδηγίες χρήσης που περιέχει το παρόν εγχειρίδιο. Το ηλεκτρικό εργαλείο είναι επικίνδυνο όταν χρησιμοποιείται από άπειρα άτομα ή από άτομα που δεν έχουν διαβάσει τις οδηγίες χρήσης του.
- Συντηρήστε το ηλεκτρικό εργαλείο. Ελέγχετε αν τα κινούμενα εξαρτήματα λειτουργούν σωστά, αν υπάρχει κάποιο μπλοκάρισμα, αν έχουν σπάσει εξαρτήματα σε κάποιο σημείο ή αν έχουν φθαρεί εξαρτήματα τα οποία ενδέχεται να επηρεάσουν αρνητικά την λειτουργία του ηλεκτρικού εργαλείου. Η εσφαλμένη συντήρηση των ηλεκτρικών εργαλείων προκαλεί ατυχήματα.
- Διατηρείτε τα εργαλεία κοπής αιχμηρά και σε καλή κατάσταση. Τα επαρκώς συντηρημένα κοπτικά εργαλεία είναι πιο δύσκολο να μπλοκαριστούν και έχουν υψηλότερη απόδοση.

Οδηγίες ασφαλείας για εργαλεία μπαταρίας

- Επαναφορτίζετε τις μπαταρίες μόνο με τον φορτιστή που ορίζει ο κατασκευαστής. Ένας φορτιστής που χρησιμοποιείται για τη φόρτιση ακατάλληλων μπαταριών μπορεί να δημιουργήσει κίνδυνο πυρκαγιάς.
- Χρησιμοποιείτε το ηλεκτρικό εργαλείο μόνο με τις προβλεπόμενες μπαταρίες. Η χρήση άλλων μπαταριών μπορεί να δημιουργήσει κίνδυνο τραυματισμού και πυρκαγιάς.
- Όταν η μπαταρία δεν χρησιμοποιείται, κρατήστε την μακριά από μεταλλικά αντικείμενα όπως συνδετήρες, κέρματα, κλειδιά, καρφιά, βίδες ή άλλα μικρά μεταλλικά αντικείμενα που μπορούν να κάνουν σύνδεση από τον έναν ακροδέκτη στον άλλον. Το βραχυκύκλωμα των ακροδεκτών της μπαταρίας μπορεί να προκαλέσει εγκαύματα ή πυρκαγιά.
- Υπό συνθήκες κακομεταχείρισης, μπορεί να εκτοξευτεί υγρό από την μπαταρία. Αποφύγετε την επαφή με το υγρό της μπαταρίας. Σε περίπτωση επαφής με το υγρό, ξεπλύνετε με νερό. Εάν το υγρό έρθει σε επαφή με τα μάτια, αναζητήστε αμέσως ιατρική βοήθεια. Το υγρό που εκτοξεύεται από την μπαταρία μπορεί να προκαλέσει ερεθισμό ή εγκαύματα.
- Μην χρησιμοποιείτε μπαταρία που έχει υποστεί ζημιά ή έχει τροποποιηθεί. Οι κατεστραμμένες ή τροποποιημένες μπαταρίες ενδέχεται να μην λειτουργούν όπως προβλέπεται, μη αποτελεσματικά να προκληθεί πυρκαγιά ή έκρηξη.
- Μην εκθέτετε την μπαταρία σε φωτιά ή σε πολύ υψηλές θερμοκρασίες. Η έκθεση σε φωτιά ή σε θερμοκρασίες άνω των 130°C μπορεί να προκαλέσει έκρηξη.

Service

- Αναθέστε τη συντήρηση και την επισκευή του ηλεκτρικού εργαλείου στον κατασκευαστή ή σε εξουσιοδοτημένους τεχνικούς service, χρησιμοποιώντας μόνο πανομοιότυπα ανταλλακτικά. Με τον τρόπο αυτό θα διασφαλιστεί η διατήρηση της ασφάλειας του ηλεκτρικού εργαλείου.
- Ποτέ μην επιχειρήσετε να επισκευάσετε μόνοι σας τις μπαταρίες που έχουν υποστεί βλάβη. Το service των μπαταριών πρέπει να γίνεται μόνο από τον κατασκευαστή ή από εξουσιοδοτημένους τεχνικούς service.

Οδηγίες ασφαλείας για την μπαταρία

- Μην αποσυναρμολογήσετε, ανοίξετε, χτυπήσετε ή κάψετε την μπαταρία.
- Προστατεύστε την μπαταρία από τη θερμότητα (π.χ. από τη συνεχή έκθεση σε έντονο ηλιακό φως), τη φωτιά, το νερό και την υγρασία. Υπάρχει κίνδυνος έκρηξης.
- Μην βραχυκυκλώσετε την μπαταρία. Μην αποθηκεύετε την μπαταρία ακατάλληλα σε κουτί ή συρτάρι όπου μπορεί να βραχυκυκλώσει. Όταν η μπαταρία δεν χρησιμοποιείται, να την κρατάτε μακριά από άλλα μεταλλικά αντικείμενα, όπως συνδετήρες, κέρματα, κλειδιά, καρφιά, βίδες ή άλλα μικρά μεταλλικά αντικείμενα, που μπορούν να κάνουν σύνδεση από τον ένα ακροδέκτη στον άλλο. Το βραχυκύκλωμα των ακροδεκτών της μπαταρίας μεταξύ τους μπορεί να προκαλέσει εγκαύματα ή πυρκαγιά.
- Πριν από τη χρήση του ηλεκτρικού εργαλείου, βεβαιωθείτε ότι η μπαταρία είναι σωστά τοποθετημένη.
- Βεβαιωθείτε ότι η μπαταρία έχει αφαιρεθεί πριν από οποιαδήποτε ρύθμιση, αλλαγή εξαρτημάτων, πριν από την εκτέλεση εργασιών συντήρησης ή επισκευής και πριν από την αποθήκευση του εργαλείου.
- Μην φορτίζετε μπαταρίες που έχουν υποστεί ζημιά.
- Η μπαταρία θερμαίνεται ελαφρώς καθώς φορτίζεται. Αυτό είναι φυσιολογικό.
- Φορτίστε πλήρως την μπαταρία πριν από την αποθήκευση.
- Αποθηκεύστε την μπαταρία σε χώρο με θερμοκρασία 0-45°C. Μην αποθηκεύετε την μπαταρία σε περιοχές όπου η θερμοκρασία είναι χαμηλότερη ή υψηλότερη από το καθορισμένο εύρος.
- Εάν η διάρκεια λειτουργίας του εργαλείου μειωθεί σημαντικά μετά την επαναφόρτιση της μπαταρίας, αντικαταστήστε την μπαταρία ή παραδώστε την μπαταρία στον κατασκευαστή ή σε ένα κέντρο service για επισκευή.

Οδηγίες ασφαλείας για γωνιακούς τροχούς

- Μην χειρίζεστε το εργαλείο εάν είστε άρρωστοι, κουρασμένοι ή υπό την επήρεια αλκοόλ ή φαρμάκων που ενδέχεται να επηρεάσουν την ταχύτητα αντίδρασής σας.
- Πριν από τη χρήση του εργαλείου, βεβαιωθείτε ότι το εργαλείο και η μπαταρία βρίσκονται σε καλή κατάσταση. Μην χρησιμοποιείτε το εργαλείο εάν έχει υποστεί οποιαδήποτε ζημιά.
- Κρατάτε το ηλεκτρικό εργαλείο μόνο από μονωμένες επιφάνειες πρόσφυσης, όταν εκτελείτε μια εργασία όπου ο δίσκος μπορεί να έρθει σε επαφή με κρυφές καλωδιώσεις. Η επαφή με ένα ηλεκτροφόρο καλώδιο θα καταστήσει τα εκτεθειμένα μεταλλικά μέρη του ηλεκτρικού εργαλείου ηλεκτροφόρα, με αποτέλεσμα να υποστεί ηλεκτροπληξία ο χειριστής.
- Κρατήστε σταθερά τις λαβές του ηλεκτρικού εργαλείου.
- Η στερέωση του τεμαχίου εργασίας σε μια διάταξη στερέωσης, όπως είναι μία μέγγενη, είναι πιο ασφαλής από το να κρατάτε το τεμάχιο εργασίας με το χέρι.
- Βεβαιωθείτε ότι ο χώρος εργασίας είναι καθαρός και καλά αεριζόμενος. Η λειτουργία του ηλεκτρικού εργαλείου μπορεί να παράξει σκόνη που είναι επιβλαβής για την υγεία, καθώς και εύφλεκτη σκόνη.
- Περιμένετε μέχρι να σταματήσει εντελώς ο δίσκος προτού αφήσετε κάτω το ηλεκτρικό εργαλείο. Ο περιστρεφόμενος δίσκος μπορεί να εμπλακεί στο τεμάχιο εργασίας, με αποτέλεσμα να χάσει ο χειριστής τον έλεγχο του ηλεκτρικού εργαλείου.
- Κρατήστε τα χέρια σας μακριά από τον περιστρεφόμενο δίσκο.
- Διατηρείτε την ισορροπία σας ανά πάσα στιγμή κατά τη χρήση του εργαλείου.
- Κατά τη χρήση, να φοράτε πάντα γυαλιά ασφαλείας με πλευρικές ασπίδες, μάσκα προστασίας και προστατευτικά ακοής.

ΤΕΧΝΙΚΑ ΧΑΡΑΚΤΗΡΙΣΤΙΚΑ

| | |
|---------------------------------------|---|
| Τάση | 20 V (Li-ion) |
| Στροφές χωρίς φορτίο | 3000/5400/8000 rpm |
| Διάμετρος δίσκου | 125 mm |
| Μοτέρ | Brushless (χωρίς ψήκτρες) |
| Υποδοχή | M14 |
| Άλλα χαρακτηριστικά | Ρυθμιζόμενη ταχύτητα, ρύθμιση προστατευτικού χωρίς κλειδί |
| Βάρος εργαλείου χωρίς μπαταρία (SOLO) | 1,5 kg |

Περιλαμβάνει: 1 Δίσκο φ125mm, 1 Πλαϊνή Λαβή 3 θέσεων, 1 Κλειδί, Κιβώτιο Αλουμινίου με Κλειδωμα

ΟΔΗΓΙΕΣ ΧΡΗΣΗΣ



Προσοχή: Φροντίστε πλήρως την μπαταρία πριν από τη χρήση του ηλεκτρικού εργαλείου. Μην φορτίζετε την μπαταρία σε χώρο όπου η θερμοκρασία περιβάλλοντος είναι χαμηλότερη από 0°C ή υψηλότερη από 40°C.

Φόρτιση της μπαταρίας



Προσοχή: Χρησιμοποιήστε μόνο τον κατάλληλο φορτιστή για τη φόρτιση της μπαταρίας.

1. Συνδέστε τον φορτιστή σε μια πρίζα ρεύματος.
2. Ευθυγραμμίστε τις προεξέχουσες γλωττίδες της μπαταρίας με την υποδοχή του φορτιστή.
3. Συνδέστε την μπαταρία στον φορτιστή.
4. Μόλις η μπαταρία φορτιστεί πλήρως, θα ανάψει η πράσινη λυχνία LED του φορτιστή.

Τοποθέτηση της μπαταρίας



Προσοχή: Μην τοποθετείτε ακατάλληλες μπαταρίες στο ηλεκτρικό εργαλείο. Η χρήση μπαταριών άλλων κατασκευαστών μπορεί να προκαλέσει πυρκαγιά και τραυματισμό.

1. Ευθυγραμμίστε την προεξέχουσα γλωττίδα της μπαταρίας με το αυλάκι στο κάτω μέρος του γωνιακού τροχού.
2. Τοποθετήστε την μπαταρία στο ηλεκτρικό εργαλείο.



Προσοχή: Βεβαιωθείτε ότι η μπαταρία είναι σωστά τοποθετημένη στο ηλεκτρικό εργαλείο.

Ενδεικτική λυχνία φορτιστή

| Κατάσταση μπαταρίας | Ενδεικτική λυχνία |
|---|--|
| Υψηλή/χαμηλή θερμοκρασία | Αναβοσβήνει με κόκκινο χρώμα. Η φόρτιση θα ξεκινήσει μόλις η θερμοκρασία της μπαταρίας φτάσει τους 0-40°C. |
| Η μπαταρία ή ο φορτιστής δεν λειτουργεί σωστά | Αναβοσβήνει παρατεταμένα με κόκκινο χρώμα ή δεν αναβοσβήνει. |
| Φόρτιση | Αναβοσβήνει με κόκκινο χρώμα. |
| Πλήρως φορτισμένη | Αναβοσβήνει με πράσινο χρώμα. |

ΣΥΝΤΗΡΗΣΗ



Προσοχή: Πριν από την εκτέλεση εργασιών συντήρησης στο ηλεκτρικό εργαλείο, αφαιρέστε την μπαταρία.

- Ελέγχετε τακτικά τις βίδες και βεβαιώνεστε ότι είναι καλά σφιγμένες.
- Ελέγχετε τακτικά το καλώδιο του φορτιστή. Εάν εντοπίσετε ζημιά, παραδώστε τον φορτιστή στον κατασκευαστή ή σε εξουσιοδοτημένο κέντρο service για επισκευή.
- Διατηρείτε τα ανοίγματα εξαερισμού καθαρά και ανεμπόδιστα.
- Κατά τον καθαρισμό του ηλεκτρικού εργαλείου, αποφύγετε τη χρήση διαλυτών που προκαλούν ζημιά σε πλαστικό. Χρησιμοποιήστε ένα μαλακό πανί βρεγμένο με ζεστό σαπουνόνερο.
- Κατά τον καθαρισμό του ηλεκτρικού εργαλείου, φροντίστε να μην εισέλθει νερό στον κινητήρα.

ΑΠΟΡΡΙΨΗ ΣΤΟ ΠΕΡΙΒΑΛΛΟΝ

Προκειμένου να αποφευχθούν ζημιές κατά τη μεταφορά, η συσκευή πρέπει να παραδίδεται σε στερεά συσκευασία. Η συσκευασία καθώς και η μονάδα και τα εξαρτήματα είναι κατασκευασμένα από ανακυκλώσιμα υλικά και μπορούν να απορριφθούν αναλόγως. Τα πλαστικά εξαρτήματα της συσκευής φέρουν σήμανση ανάλογα με το υλικό τους, γεγονός που καθιστά δυνατή την απομάκρυνση φιλικών προς το περιβάλλον και διαφοροποιημένων λόγω των διαθέσιμων εγκαταστάσεων συλλογής.



Μόνο για χώρες της Ευρωπαϊκής Ένωσης

Μην πετάτε τις ηλεκτρικές συσκευές μαζί με τα οικιακά απορρίμματα!

Σύμφωνα με την Ευρωπαϊκή Οδηγία 2002/96/ΕΚ για τα απόβλητα ηλεκτρικού και ηλεκτρονικού εξοπλισμού και την εφαρμογή της σύμφωνα με την εθνική νομοθεσία, οι ηλεκτρικές συσκευές που έχουν φτάσει στο τέλος της ζωής τους πρέπει να συλλέγονται χωριστά και να επιστρέφονται σε μια περιβαλλοντικά συμβατή εγκατάσταση ανακύκλωσης.

* Ο κατασκευαστής διατηρεί το δικαίωμα να πραγματοποιήσει δευτερεύουσες αλλαγές στο σχεδιασμό του προϊόντος και στα τεχνικά χαρακτηριστικά χωρίς προηγούμενη ειδοποίηση, εκτός εάν οι αλλαγές αυτές επηρεάζουν σημαντικά την απόδοση και λειτουργία ασφάλειας των προϊόντων. Τα εξαρτήματα που περιγράφονται / απεικονίζονται στις σελίδες του χειριδίου που κρατάτε στα χέρια σας ενδέχεται να αφορούν και σε άλλα μοντέλα της σειράς προϊόντων του κατασκευαστή, με παρόμοια χαρακτηριστικά, και ενδέχεται να μην περιλαμβάνονται στο προϊόν που μόλις αποκτήσατε.

* Για να διασφαλιστεί η ασφάλεια και η αξιοπιστία του προϊόντος καθώς και η ισχύς της εγγύησης όλες οι εργασίες επιδιόρθωσης, ελέγχου, επισκευής ή αντικατάστασης συμπεριλαμβανομένης της συντήρησης και των ειδικών ρυθμίσεων, πρέπει να εκτελούνται μόνο από τεχνικούς του εξουσιοδοτημένου τμήματος Service του κατασκευαστή.

* Χρησιμοποιείτε πάντα το προϊόν με τον παρεχόμενο εξοπλισμό. Η λειτουργία του προϊόντος με μη-προβλεπόμενο εξοπλισμό ενδέχεται να προκαλέσει βλάβη ή ακόμα και σοβαρό τραυματισμό ή θάνατο. Ο κατασκευαστής και ο εισαγωγέας ουδεμία ευθύνη φέρει για τραυματισμούς και βλάβες που προκύπτουν από την χρήση μη προβλεπόμενου εξοπλισμού.

СИМВОЛИ ЗА БЕЗОПАСНОСТ

| | | |
|---|---|---|
|  <p>Носете предпазни очила.</p> |  <p>Носете защита на слуха.</p> |  <p>Носете защитни ръкавици.</p> |
|  <p>Носете противопрахова маска.</p> |  <p>Носете противопрахова маска.</p> |  <p>Не излагайте устройството на дъжд или влага.</p> |

ИНСТРУКЦИИ ЗА БЕЗОПАСНОСТ



Предупреждение: Прочетете внимателно ръководството преди употреба. Неспазването на предупрежденията и инструкциите може да доведе до повреда на устройството, физически наранявания и/или материални щети. Съхранявайте ръководството на безопасно място за бъдещи справки.

Безопасност в работната зона

- Поддържайте работната зона чиста и добре осветена. Тъмните или затрупани места могат да доведат до инциденти.
- Не работете с електроинструменти във взривоопасна атмосфера, например при наличие на запалими течности или изпарения, газове или прах. Електрическите инструменти могат да предизвикат искри, които да възпламенят газовете или изпаренията.
- Дръжте децата и страничните лица на безопасно разстояние, докато работите с електроинструмента.

Електрическа безопасност

- Уверете се, че щепселите на електроинструментите съответстват на контакта. Никога не променяйте щепсела по какъвто и да е начин. Не използвайте адаптерни щепсели със заземени електроинструменти. Използването на немодифицирани щепсели и съответстващи контакти ще намали риска от токов удар.
- Избягвайте контакт на тялото със заземени или заземени материали или предмети, като например радиатори, тръби, печки и хладилници. Съществува огромен риск от токов удар, ако тялото ви е заземено или заземено.
- Не излагайте електроинструментите на дъжд или на други влажни условия. Навлизането на вода в електроинструмента може да увеличи риска от токов удар.
- Не злоупотребявайте със захранващия кабел. Никога не използвайте кабела за пренасяне, дърпане или изключване на електрически инструмент. Съхранявайте кабела на безопасно разстояние от топлина, масло, остри ръбове и всякакви движещи се части. Повредените или заплетени шнурове ще увеличат риска от токов удар.
- Когато работите с електрически инструмент на открито, използвайте удължител, който има подходящи спецификации за използване на открито. Използването на удължител, подходящ за употреба на открито, намалява риска от токов удар.

Лична безопасност

- Бъдете нащрек, внимавайте какво правите и използвайте здрав разум, когато работите с електроинструмента. Не използвайте електроинструмента, ако се чувствате уморени или сте под въздействието на алкохол, наркотици или лекарства. Момент на невнимание по време на работа с електроинструмента може да доведе до сериозно нараняване на хора.

- Използвайте лични предпазни средства. Винаги носете предпазни средства за очите. Защитното оборудване, като например маска против прах, защита на слуха, нехлъзгащи се предпазни обувки или защитни каски, използвани при подходящи условия, ще намалят риска от получаване на лични наранявания.
- Предотвратете непреднамереното стартиране. Уверете се, че превключвателят на захранването е в изключено положение, преди да свържете към източника на захранване и/или акумулаторната батерия, да вдигнете или пренесете електроинструмента. Пренасянето на електроинструменти с пръст върху превключвателя на захранването или свързването на електроинструменти, чийто превключвател е във включено положение, към източник на захранване може да доведе до злополуки.
- Преди да включите електроинструмента, извадете всички регулиращи ключове или гаечни ключове. Ключ за регулиране или гаечен ключ, оставен прикрепен към въртяща се част на електроинструмента, може да доведе до телесни повреди.
- Не се надигайте. Поддържайте равновесие и правилна стойка през цялото време. Това помага на оператора да има по-добър контрол върху електроинструмента в неочаквани ситуации.
- Облечете се правилно. Не носете свободни дрехи или бижута. Дръжте косата, дрехите и ръкавиците си далеч от движещите се части. Свободните дрехи, бижутата и/или дългата коса могат да бъдат захванати от движещите се части.

Използване и грижа за електроинструменти

- Не насилвайте електроинструмента. Използвайте подходящия електроинструмент за всяко приложение. Правилният електроинструмент винаги ще свърши работата по-добре и по-безопасно, когато се използва по предназначение.
- Не използвайте електроинструмента, ако превключвателят не го включва или изключва. Всеки електроинструмент, който не може да се управлява с превключвателя, е изключително опасен и трябва да се ремонтира.
- Изключете главния щепсел от източника на захранване и/или акумулаторната батерия от електроинструмента, преди да сменят аксесоари, да правят каквито и да било настройки или да съхраняват електроинструмента. Тези превантивни мерки за безопасност ще намалят риска от случайно стартиране на електроинструмента.
- Когато електроинструментът не се използва, го съхранявайте на място, недостъпно за деца, и не позволявайте на лица, които не са запознати с електроинструмента или с тези инструкции, да използват и работят с него. Електроинструментите са изключително опасни в ръцете на необучени потребители.
- Поддържайте електроинструмента. Проверявайте за несъсност или обвързване на движещите се части, счупване на части, течове и всякакви други проблеми, които могат да повлияят на работата на електроинструмента. Ако е повреден, поправете електроинструмента преди употреба. Много злополуки и наранявания са причинени от лошо поддържани електроинструменти.
- Поддържайте режещите части на електроинструмента остри и чисти. Правилно поддържаните режещи инструменти с остри режещи ръбове е по-малко вероятно да се заклеят и са по-прецизни и по-лесни за управление.
- Винаги използвайте електроинструмента, аксесоарите и накрайниците и т.н. в съответствие с инструкциите на това ръководство за експлоатация, като се съобразявате с условията на работа и работата, която трябва да се извърши. Използването на електроинструмента за приложения, различни от предвидените, може да доведе до телесни повреди или да причини повреда на електроинструмента.
- Поддържайте дръжките и всички захващащи повърхности на електроинструмента сухи, чисти и без масла и грес. Хлъзгавите дръжки и повърхности за хващане не позволяват безопасно боравене с инструмента при неочаквани обстоятелства.

Използване и грижа за акумулаторните инструменти

- Зареждайте батериите само със зарядното устройство, посочено от производителя. Зарядно устройство, което се използва за зареждане на неподходящи батерии, може да създаде риск от пожар.
- Използвайте електроинструмента само със специално предназначения за целта батерии. Използването на всякакви други акумулаторни пакети може да създаде риск от нараняване и пожар.

- Когато батерийният пакет не се използва, го дръжте далеч от други метални предмети, като например щипки за хартия, монети, ключове, пирони, винтове или други малки метални предмети, които могат да направят връзка от една клемма към друга. Съсбяването на клемите на акумулаторната батерия може да доведе до изгаряния или пожар.
- В условия на злоупотреба от батерията може да се изхвърли течност; избягвайте контакт. Ако случайно възникне контакт, изплакнете с вода. Ако течността попадне в очите, незабавно потърсете медицинска помощ. Течността, изхвърлена от батерията, може да причини дразнене или изгаряния.
- Не използвайте акумулаторна батерия, която е повредена или модифицирана. Повредените или модифицирани батерии може да не функционират по предназначение, което да доведе до пожар или експлозия.
- Не излагайте акумулаторния блок на огън или прекомерни температури. Излагането на огън или на температури над 130°C може да доведе до експлозия.

Сервиз

- Обслужвайте електроинструмента от производителя или от квалифициран сервизен персонал, като използвате само идентични резервни части. Това ще гарантира запазването на безопасността на електроинструмента.
- Никога не се опитвайте сами да ремонтирате повредени акумулаторни батерии. Сервизното обслужване на акумулаторните блокове трябва да се извършва само от производителя или от оторизирани сервизни специалисти.

Инструкции за безопасност за акумулаторния блок

- Не разглобявайте, не отваряйте, не разбивайте и не изгаряйте батерията.
- Предпазвайте акумулаторната батерия от топлина (напр. от продължителна интензивна слънчева светлина), огън, вода и влага. Съществува риск от експлозия.
- Не включвайте акумулаторната батерия накъсо. Не съхранявайте акумулаторния блок на неподходящо място в кутия или чекмедже, където те могат да се свържат накъсо или да се свържат накъсо от проводящи материали. Когато батерийният пакет не се използва, го дръжте далеч от други метални предмети, като щипки за хартия, монети, ключове, пирони, винтове или други малки метални предмети, които могат да направят връзка от един терминал към друг. Късото съединяване на полюсите на батерията може да доведе до изгаряния или пожар.
- Преди да използвате електроинструмента, уверете се, че акумулаторната батерия е правилно монтирана.
- Уверете се, че сте извадили акумулаторната батерия преди извършване на каквито и да било настройки или смяна на аксесоари, преди извършване на дейности по поддръжка или ремонт и преди съхраняване на инструмента.
- Не зареждайте повредени батерии.
- По време на процеса на зареждане акумулаторният блок се загрева леко. Това е нормално.
- Заредете напълно акумулаторния блок преди съхранение.
- Съхранявайте акумулаторната батерия на място, където температурата на околната среда е в диапазона 0-45°C. Не съхранявайте батерията на места, където температурата е по-ниска или по-висока от посочения диапазон.
- Ако животът на батерията се съкрати значително след презареждане, сменете батерийния пакет или го изпратете на производителя или в сервизен център за ремонт.

Инструкции за безопасност за ъглошлиф

- Не работете с инструмента, ако сте болни, уморени или под влиянието на алкохол или лекарства, които могат да повлияят на способността ви да реагирате.
- Преди да използвате инструмента, се уверете, че инструментът и батерията са в добро състояние. Не работете с инструмента, ако той е повреден по какъвто и да е начин.
- Дръжте електроинструмента само за изолираните повърхности за захващане, когато извършвате операция, при която дискът може да се допре до скрити кабели. Контактът с проводник „под напрежение“ ще направи „под напрежение“ и откритите метални части на електроинструмента и може да доведе до токов удар за оператора.

- Поддържайте здрав захват на дръжките на електроинструмента.
- Закрепването на детайла в приспособление за закрепване, например в клещи, е по-сигурно, отколкото държането на детайла с ръка.
- Уверете се, че работното място е чисто и добре проветрено. При работа с електроинструмента може да се образува прах, който е вреден за здравето, както и запалим прах.
- Изчакайте пълното спиране на диска, преди да сложите електроинструмента. Въртящият се диск може да захване повърхността и да издърпа електроинструмента извън контрола ви.
- Дръжте ръцете си далеч от въртящия се диск.
- Запазете равновесие през цялото време на работа.
- По време на работа винаги носете предпазни очила със странични щитове, маска против прах и защита на слуха.

ТЕХНИЧЕСКИ ДАННИ

| | |
|--------------------------|---|
| Модел | BVP3650 |
| Напрежение | 20 V (Li-ion) |
| Скорост без натоварване | 3000/5400/8000 об/мин |
| Диаметър на диска | 125 мм |
| Двигател | Brushless (Безчетков) |
| Фланцова гайка | M14 |
| Други характеристики | Регулируема скорост, безключова настройка на предпазителя |
| Тегло без батерия (SOLO) | 1,5 кг |

Включва: 1 бр. шлифовъчен диск ф125 мм, 1 бр. трипозиционна странична ръкохватка, 1 бр. гаечен ключ за ъглошлайф, алуминиева предавателна кутия със заключване на шпиндела

ИНСТРУКЦИИ ЗА РАБОТА



Внимание: Уверете се, че сте заредили напълно акумулаторната батерия, преди да използвате електроинструмента. Не зареждайте акумулаторната батерия на място, където температурата на околната среда е по-ниска от 0°C или по-висока от 40°C.

Зареждане на батерията



Внимание: За зареждане на батерията използвайте само подходящо зарядно устройство.

1. Свържете зарядното устройство към електрически контакт.
2. Подравнете изпъкналите ребра на батерията с гнездото на зарядното устройство.
3. Включете батерията в зарядното устройство.
4. След като батерията е напълно заредена, зеленият светодиод на зарядното устройство ще светне.

Инсталиране на батерията



Внимание: Не монтирайте неподходящи батерии в електроинструмента. Използването на батерии от други производители може да доведе до пожар и наранявания.

1. Подравнете изпъкналото ребро на батерията с жлеба в долната част на ъглошлайфа.
2. Поставете батерията върху електроинструмента.



Внимание: Уверете се, че батерията е правилно закрепена към електроинструмента.

Индикаторна светлина на зарядното устройство

| Състояние на батерията | Индикаторна светлина |
|---|---|
| Висока/ниска температура | Мигаща червена светлина. Зареждането ще започне, когато температурата на батерията достигне 0-40°C. |
| Батерията или зарядното устройство не са в изправност | Червената светлина мига дълго или не мига. |
| Зареждане | Червената светлина мига. |
| Напълно заредена | Зелена светлина мига. |

ПОДДЪРЖАНЕ



Внимание: Преди да извършвате дейности по поддръжката на електроинструмента, извадете батерията.

- Редовно проверявайте монтажните винтове, за да се уверите, че са добре затегнати.
- Проверявайте редовно кабела на зарядното устройство. Ако откриете повреда, изпратете зарядното устройство на производителя или в оторизиран сервизен център за ремонт.
- Поддържайте вентилационните отвори чисти и незасегнати.
- Когато почиствате електроинструмента, избягвайте да използвате разтворители, които причиняват увреждане на пластмасата. Използвайте мека кърпа, навлажнена с топла сапунена вода.
- Когато почиствате електроинструмента, уверете се, че водата не попада в двигателя.

ЕКОЛОГИЧНО ОБЕЗВРЕЖДАНЕ

За да се избегнат повреди при транспортиране, инструментът трябва да се достави в здрава опаковка. Опаковката, както и устройството и аксесоарите, са изработени от рециклируеми материали и могат да бъдат изхвърлени по съответния начин. Пластмасовите компоненти на инструмента са маркирани според материала, от който са изработени, което прави възможно отстраняването на екологични и диференцирани поради наличните съоръжения за събиране.



Само за страни от ЕС

Не изхвърляйте електрически инструменти заедно с битови отпадъци!

В съответствие с Европейската директива 2002/96/ЕО относно отпадъците от електрическо и електронно оборудване и нейното прилагане в съответствие с националното законодателство, електрическите инструменти, чийто живот е изтекъл, трябва да се събират отделно и да се връщат в екологично съвместимо съоръжение за рециклиране.

**Производителят си запазва правото да прави незначителни промени в дизайна и техническите спецификации на продуктите без предварително уведомление, освен ако тези промени не засягат значително работата и безопасността на продуктите. Частите, описани/илюстрирани на страниците на ръководството, което държите в ръцете си, може да се отнасят и за други модели от продуктовата линия на производителя с подобни характеристики и може да не са включени в току-що придобития от вас продукт.*

** За да се гарантира безопасността и надеждността на продукта и валидността на гаранцията, всички работи по ремонт, проверка или замяна, включително поддръжка и специални настройки, трябва да се извършват само от техници от оторизирания сервизен отдел на производителя.*

** Винаги използвайте продукта с доставеното оборудване. Работата на продукта с оборудване, което не е доставено, може да доведе до неизправности или дори до сериозни наранявания или смърт. Производителят и вносителят не носят отговорност за наранявания и щети, възникнали в резултат на използването на несъответстващо на изискванията оборудване.*

SIMBOLURI DE SIGURANȚĂ

| | | |
|---|---|---|
|  |  |  |
| Purtați ochelari de protecție. | Purtați protecție auditivă. | Purtați mănuși de protecție. |
|  |  |  |
| Purtați o mască împotriva prafului. | Purtați îmbrăcăminte de protecție. | Nu expuneți unitatea la ploaie sau umiditate. |

INSTRUCȚIUNI DE SIGURANȚĂ



Avertisment: Citiți cu atenție manualul înainte de utilizare. Nerespectarea avertismentelor și instrucțiunilor poate duce la deteriorarea unității, vătămări corporale și/sau daune materiale. Păstrați manualul într-un loc sigur pentru consultare ulterioară.

Siguranța zonei de lucru

- Păstrați zona de lucru curată și bine iluminată. Zonele întunecate sau aglomerate pot duce la accidente.
- Nu folosiți scule electrice în atmosfere explozive, cum ar fi în prezența lichidelor sau fumurilor inflamabile, a gazelor sau a prafului. Unelele electrice ar putea crea scântei care ar putea aprinde gazele sau vaporii.
- Țineți copiii și trecătorii la o distanță sigură în timpul operării sculei electrice.

Siguranța electrică

- Asigurați-vă că fișele uneltelor electrice se potrivesc cu priza. Nu modificați niciodată ștecherul în niciun fel. Nu utilizați fișe adaptoare cu unelte electrice cu împământare. Utilizarea fișelor nemodificate și a prizelor potrivite va reduce riscul de șoc electric.
- Evitați contactul corpului cu materiale sau obiecte împământate sau legate la pământ, cum ar fi radiatoare, țevi, aragazuri și frigidere. Există un risc enorm de șoc electric dacă corpul dumneavoastră este legat la masă sau la împământare.
- Nu expuneți unelte electrice la ploaie sau în orice alte condiții de umiditate. Apa care intră într-o unealtă electrică ar putea crește riscul de șoc electric.
- Nu abuzați de cablul de alimentare. Nu utilizați niciodată cablul pentru transportul, tragerea sau deconectarea unei electrice. Păstrați cablul la o distanță sigură de căldură, ulei, margini ascuțite și orice piese în mișcare. Cablurile deteriorate sau încălcite vor crește riscul de electrocutare.
- Atunci când utilizați o unealtă electrică în aer liber, utilizați un cablu prelungitor care are specificațiile corespunzătoare pentru utilizarea în aer liber. Utilizarea unui cablu prelungitor adecvat pentru utilizarea în exterior reduce riscul de șoc electric.

Siguranța personală

- Fiți vigilenți, urmăriți ceea ce faceți și folosiți bunul simț atunci când folosiți scula electrică. Nu utilizați scula electrică dacă vă simțiți oboseți sau sunteți sub influența alcoolului, drogurilor sau medicamentelor. Un moment de neatenție în timpul operării sculei electrice poate duce la vătămări corporale grave.
- Utilizați echipament de protecție individuală. Purtați întotdeauna protecție pentru ochi. Echipamentul de protecție, cum ar fi masca de praf, protecția auditivă, pantofii de siguranță antiderapanți sau căștile de protecție, utilizate în condiții adecvate, vor reduce riscul de a suferi vătămări corporale.
- Preveniți pornirea neintenționată. Asigurați-vă că întrerupătorul de alimentare este în poziția oprit înainte de a conecta la sursa de alimentare și/sau la acumulator, de a ridica sau de a transporta scula electrică. Transportarea uneltelor electrice cu degetul pe comutatorul de alimentare sau conectarea uneltelor electrice care au comutatorul în poziția pornit la o sursă de alimentare poate duce la accidente.
- Scoateți cheile sau cheile de reglare înainte de a porni scula electrică. O cheie de reglare sau o cheie fixată pe o parte rotativă a unelei electrice poate duce la vătămări corporale.
- Nu vă întindeți prea mult. Păstrați în permanență echilibrul și piciorul adecvat. Acest lucru îl ajută pe operator să aibă un control mai bun asupra sculei electrice în situații neprevăzute.
- Îmbrăcați-vă corespunzător. Nu purtați haine largi sau bijuterii. Țineți-vă părul, îmbrăcăminte și mănușile departe de orice piese în mișcare. Hainele largi, bijuteriile și/sau părul lung pot fi prinse în piesele în mișcare.

Utilizarea și îngrijirea sculelor electrice

- Nu forțați scula electrică. Utilizați scula electrică corectă pentru fiecare aplicație. Unealta electrică corectă va face întotdeauna treaba mai bine și mai sigur atunci când este utilizată conform destinației.
- Nu utilizați scula electrică dacă întrerupătorul nu o pornește sau o oprește. Orice unealtă electrică care nu poate fi controlată cu ajutorul comutatorului este extrem de periculoasă și trebuie reparată.
- Deconectați ștecherul principal de la sursa de alimentare și/sau acumulatorul de la scula electrică înainte de a schimba accesoriile, de a efectua orice reglaj sau de a depozita scula electrică. Astfel de măsuri preventive de siguranță vor reduce riscul de pornire accidentală a sculei electrice.
- Atunci când scula electrică nu este utilizată, depozitați-o departe de îndemâna copiilor și nu permiteți persoanelor care nu sunt familiarizate cu scula electrică sau cu aceste instrucțiuni să utilizeze și să opereze scula electrică. Unelele electrice sunt extrem de periculoase în mâinile utilizatorilor necalificați.
- Întrețineți scula electrică. Verificați dacă părțile mobile sunt dezaliniate sau blocate, dacă piesele sunt rupte, dacă există scurgeri și orice alte probleme care pot afecta funcționarea sculei electrice. Dacă este deteriorată, reparați scula electrică înainte de utilizare. Multe accidente și răniri sunt cauzate de unelele electrice prost întreținute.
- Păstrați părțile tăietoare ale unelei electrice ascuțite și curate. Unelele de tăiere întreținute corespunzător, cu muchii de tăiere ascuțite, sunt mai puțin susceptibile de a se bloca și sunt mai precise și mai ușor de controlat.
- Utilizați întotdeauna scula electrică, accesoriile și biții etc. în conformitate cu instrucțiunile din acest manual de instrucțiuni, ținând cont de condițiile de lucru și de lucrarea care urmează să fie efectuată. Utilizarea sculei electrice pentru aplicații diferite de cele prevăzute poate duce la vătămări corporale sau la deteriorarea sculei electrice.
- Păstrați mânerul și orice suprafețe de prindere ale unelei electrice uscate, curate și lipsite de ulei și grăsime. Mânerul și suprafețele de prindere alunecoase nu permit manipularea în siguranță a unelei în circumstanțe neprevăzute.

Utilizarea și îngrijirea bateriilor

- Reîncărcați bateriile numai cu încărcătorul specificat de producător. Un încărcător care este utilizat pentru a încărca acumulatori neadecvați poate crea un risc de incendiu.
- Utilizați scula electrică numai cu pachetele de acumulatori special desemnate. Utilizarea oricăror alte pachete de acumulatori poate crea un risc de rănire și de incendiu.
- Atunci când acumulatorul nu este utilizat, țineți-l departe de alte obiecte metalice, cum ar fi agrafe de birou, monede, chei, cuie, șuruburi sau alte obiecte metalice mici care pot face legătura de la un terminal la altul. Scurtcircuitarea terminalelor bateriei între ele poate provoca arsuri sau un incendiu.
- În condiții abuzive, lichidul poate fi ejectat din baterie; evitați contactul. Dacă se produce accidental contactul, spălați cu apă. Dacă lichidul intră în contact cu ochii, solicitați imediat ajutor medical. Lichidul ejectat din baterie poate provoca iritații sau arsuri.
- Nu utilizați un acumulator deteriorat sau modificat. Bateriile deteriorate sau modificate pot să nu funcționeze conform destinației, rezultând incendii sau explozii.
- Nu expuneți un pachet de baterii la foc sau la temperaturi excesive. Expunerea la foc sau la temperaturi de peste 130°C poate provoca o explozie.

Service

- Asigurați întreținerea sculei electrice de către producător sau de către personal de service calificat, folosind numai piese de schimb identice. Acest lucru va asigura menținerea siguranței sculei electrice.
- Nu încercați niciodată să reparați singur pachetele de baterii deteriorate. Întreținerea pachetelor de baterii trebuie efectuată numai de producător sau de tehnicieni de service autorizați.

Instrucțiuni de siguranță pentru acumulator

- Nu demontați, deschideți, spargeți sau ardeți acumulatorul.
- Protejați acumulatorul împotriva căldurii (de exemplu, împotriva luminii solare intense continue), focului, apei și umidității. Există riscul de explozie.
- Nu scurtcircuitați pachetul de baterii. Nu depozitați pachetul de baterii în mod necorespunzător într-o cutie sau într-un sertar unde acestea se pot scurtcircuita între ele sau pot fi scurtcircuitate de materiale conductoare. Atunci când pachetul de baterii nu este utilizat, țineți-l departe de alte obiecte metalice, cum ar fi agrafe de birou, monede, chei, cuie, șuruburi sau alte obiecte metalice mici, care pot face o conexiune de la un terminal la altul. Scurtcircuitarea terminalelor bateriei între ele poate provoca arsuri sau un incendiu.
- Înainte de a utiliza scula electrică, asigurați-vă că acumulatorul este instalat corect.
- Asigurați-vă că scoateți acumulatorul înainte de a efectua orice ajustări sau de a schimba accesoriile, înainte de a efectua lucrări de întreținere sau reparații și înainte de a depozita unealta.
- Nu încărcați bateriile deteriorate.
- Pachetul de baterii se încălzește puțin în timpul procesului de încărcare. Acest lucru este normal

Încărcați complet acumulatorul înainte de depozitare.

- Depozitați acumulatorul într-o zonă în care temperatura ambiantă este cuprinsă între 0 și 45°C. Nu depozitați acumulatorul în zone în care temperatura este mai mică sau mai mare decât intervalul specificat.
- Dacă durata de viață a bateriei este redusă semnificativ după reîncărcare, înlocuiți pachetul de baterii sau trimiteți-l la producător sau la un centru de service pentru reparații.

Instrucțiuni de siguranță pentru polizoarele unghiulare

- Nu folosiți unealta dacă sunteți bolnav, obosit sau sub influența alcoolului sau a medicamentelor care vă pot afecta capacitatea de reacție.
- Înainte de a utiliza unealta, asigurați-vă că unealta și bateria sunt în stare bună. Nu folosiți unealta dacă aceasta este deteriorată în vreun fel.
- Țineți scula electrică numai de suprafețele de prindere izolate, atunci când efectuați o operațiune în care discul poate intra în contact cu cabluri ascunse. Contactul cu un fir „sub tensiune” va face ca și părțile metalice expuse ale unelei electrice să fie „sub tensiune” și ar putea provoca un șoc electric operatorului.
- Mențineți o prindere fermă pe mânerul unelei electrice.
- Fixarea piesei de lucru într-un dispozitiv de fixare, cum ar fi o menghină, este mai sigură decât ținerea piesei de lucru cu mâna.
- Asigurați-vă că locul de muncă este curat și bine ventilat. Funcționarea sculei electrice poate produce praf dăunător pentru sănătate, precum și praf inflamabil.
- Așteptați până când discul se oprește complet înainte de a așeza scula electrică. Discul care se rotește poate prinde suprafața și poate scoate scula electrică de sub controlul dumneavoastră.
- Țineți-vă mâinile departe de discul în rotație.
- Păstrați-vă echilibrul tot timpul în timpul funcționării.
- În timpul funcționării, purtați întotdeauna ochelari de protecție cu protecții laterale, o mască împotriva prafului și protecție auditivă.

DATE TEHNICE

| | |
|------------------------------|---|
| Tensiune | 20 V (Li-ion) |
| Viteza fără sarcină | 3000/5400/8000 rpm |
| Diametrul discului | 125 mm |
| Motor | Brushless (fără perii) |
| Piuliță cu flanșă | M14 |
| Alte caracteristici | Viteză reglabilă, reglare fără cheie a protecției |
| Greutate fără baterie (SOLO) | 1,5 kg |

Include: 1 disc de șlefuit ϕ 125 mm, 1 mâner lateral cu trei poziții, 1 cheie pentru polizor unghiular, cutie de viteze din aluminiu cu blocare ax

INSTRUCȚIUNI DE UTILIZARE



Atenție: Asigurați-vă că încărcați complet acumulatorul înainte de a utiliza scula electrică. Nu încărcați acumulatorul într-o zonă în care temperatura ambiantă este mai mică de 0°C sau mai mare de 40°C.

Încărcarea bateriei



Atenție: Utilizați numai încărcătorul adecvat pentru încărcarea acumulatorului.

1. Conectați încărcătorul la o priză.
2. Aliniați nervurile proeminente de pe baterie cu fanta încărcătorului.
3. Introduceți acumulatorul în încărcător.
4. Odată ce bateria a fost încărcată complet, LED-ul verde de pe încărcător se va aprinde.

Instalarea bateriei



Atenție: Nu instalați baterii nepotrivite pe scula electrică. Utilizarea bateriilor de la alți producători poate provoca incendii și vătămări.

1. Aliniați nervura proeminentă de pe acumulator cu canelura din partea inferioară a polizorului unghiular.
2. Introduceți acumulatorul pe scula electrică.



Atenție: Asigurați-vă că bateria este fixată corect pe unealta electrică.

Indicator luminos al încărcătorului

| Starea bateriei | Indicator luminos |
|---------------------------------------|---|
| Temperatură ridicată/ scăzută | Lumina roșie clipește. Încărcarea va începe odată ce temperatura bateriei ajunge la 0-40°C. |
| Bateria sau încărcătorul sunt defecte | Lumina roșie clipește mult timp sau nu clipește. |
| Încărcare | Lumina roșie clipește. |
| Complet încărcată | Lumina verde clipește. |

ÎNȚREȚINERE



Atenție: Scoateți bateria înainte de a efectua lucrări de întreținere la scula electrică.

- Verificați periodic șuruburile de montare pentru a vă asigura că sunt bine strânse.
- Verificați periodic cablul încărcătorului. Dacă se constată deteriorări, trimiteți încărcătorul la producător sau la un centru de service autorizat pentru reparații.
- Păstrați deschiderile de ventilație curate și neobstrucționate.
- Când curățați scula electrică, evitați utilizarea solventilor care deteriorează plasticul. Utilizați o cârpă moale umezită cu apă caldă cu săpun.
- Când curățați scula electrică, asigurați-vă că apa nu intră în motor.

ELIMINAREA MEDIULUI

Pentru a evita deteriorările în timpul transportului, dispozitivul trebuie să fie livrat într-un ambalaj solid. Ambalajul, precum și unitatea și accesoriile sunt fabricate din materiale reciclabile și pot fi eliminate în mod corespunzător. Componentele din plastic ale aparatului sunt marcate în funcție de materialul lor, ceea ce face posibilă îndepărtarea ecologică și diferențiată datorită facilităților de colectare disponibile.



Numai pentru țările UE

Nu aruncați dispozitivele electrice împreună cu deșeurile menajere!

În conformitate cu Directiva europeană 2002/96/CE privind deșeurile de echipamente electrice și electronice și cu punerea în aplicare a acestora în conformitate cu legislația națională, dispozitivele electrice care au ajuns la sfârșitul duratei de viață trebuie colectate separat și returnate la o instalație de reciclare compatibilă cu mediul.

** Producătorul își rezervă dreptul de a aduce modificări minore la designul și specificațiile tehnice ale produsului fără notificare prealabilă, cu excepția cazului în care aceste modificări afectează în mod semnificativ performanța și siguranța produselor. Piese descrise / ilustrate în paginile manualului pe care îl țineți în mâini pot viza și alte modele din linia de produse ale producătorului cu caracteristici similare și pot să nu fie incluse în produsul pe care tocmai l-ați achiziționat.*

** Pentru a asigura siguranța și fiabilitatea produsului, precum și valabilitatea garanției, toate lucrările de reparații, inspecții sau înlocuiri, inclusiv întreținerea și reglajele speciale, trebuie să fie efectuate numai de către tehnicienii ai departamentului de service autorizat al producătorului.*

** Utilizați întotdeauna produsul cu echipamentul furnizat. Utilizarea produsului cu echipamente care nu sunt furnizate poate cauza defecțiuni sau chiar vătămări grave sau chiar moartea. Producătorul și importatorul nu sunt răspunzători pentru vătămările și daunele rezultate din utilizarea unui echipament neconform.*

SIGURNOSNI SIMBOLI

| | | |
|---|---|---|
|  |  |  |
| Nosite zaštitu za oči. | Nosite zaštitu za sluh. | Nosite zaštitne rukavice. |
|  |  |  |
| Nosite masku protiv prašine. | Nosite zaštitnu odjeću. | Ne izlažite uređaj kiši ili vlazi. |

SIGURNOSNE UPUTE



Upozorenje: Pažljivo pročitajte priručnik prije uporabe. Nepoštivanje upozorenja i uputa može rezultirati oštećenjem jedinice, fizičkim ozljedama i/ili oštećenjem imovine. Pohranite priručnik na sigurno mjesto za buduću upotrebu.

Sigurnost radnog područja

- Održavajte radni prostor čistim i dobro osvijetljenim. Tamna ili pretrpana područja mogu dovesti do nezgoda.
- Nemojte raditi s električnim alatima u eksplozivnoj atmosferi, kao što je prisutnost zapaljivih tekućina ili para, plinova ili prašine. Električni alati mogu stvoriti iskre koje mogu zapaliti plinove ili pare.
- Držite djecu i promatrače na sigurnoj udaljenosti tijekom rada s električnim alatom.

Električna sigurnost

- Provjerite odgovaraju li utikači električnog alata utičnici. Nikada ni na koji način ne mijenjajte utikač. Ne koristite adapterske utikače s uzemljenim električnim alatima. Korištenje nepromijenjenih utikača i odgovarajućih utičnica smanjit će rizik od strujnog udara.
- Izbjegavajte kontakt tijela s uzemljenim ili uzemljenim materijalima ili predmetima, kao što su radijatori, cijevi, štednjaci i hladnjaci. Postoji ogroman rizik od strujnog udara ako je vaše tijelo uzemljeno.
- Ne izlažite električne alate kiši ili drugim vlažnim uvjetima. Ulazak vode u električni alat može povećati rizik od strujnog udara.
- Ne zlorabite kabel za napajanje. Nikada nemojte koristiti kabel za nošenje, povlačenje ili isključivanje električnog alata. Držite kabel na sigurnoj udaljenosti od topline, ulja, oštih rubova i bilo kojih pokretnih dijelova. Oštećeni ili zapetljani kabeli povećavaju rizik od strujnog udara.
- Kada radite s električnim alatom na otvorenom, koristite produžni kabel koji ima odgovarajuće specifikacije za vanjsku uporabu. Korištenje produžnog kabela prikladnog za vanjsku upotrebu smanjuje rizik od strujnog udara.

Osobna sigurnost

- Budite oprezni, pazite što radite i koristite zdrav razum dok radite s električnim alatom. Nemojte koristiti električni alat ako se osjećate umorno ili ste pod utjecajem alkohola, droga ili lijekova. Trenutak nepažnje tijekom rada s električnim alatom može rezultirati ozbiljnom ozljedom.
- Koristite osobnu zaštitnu opremu. Uvijek nosite zaštitu za oči. Zaštitna oprema kao što je maska za prašinu, zaštita za sluh, sigurnosne cipele koje se ne kliču ili zaštitne kacige, koja se koristi u odgovarajućim uvjetima, smanjit će rizik od osobnih ozljeda.
- Spriječite nenamjerno pokretanje. Provjerite je li prekidač napajanja u isključenom položaju prije spajanja na izvor napajanja i/ili baterije, podizanja ili nošenja električnog alata. Nošenje električnih alata s prstom na prekidaču ili spajanje električnih alata koji imaju prekidač u položaju uključeno na izvor struje može dovesti do nezgoda.
- Uklonite sve ključeve za podešavanje ili ključeve prije nego što uključite električni alat. Ključ za podešavanje ili ključ ostavljen na rotirajućem dijelu električnog alata može dovesti do ozljeda.

- Nemojte pretjerivati. Održavajte ravnotežu i pravilan oslonac cijelo vrijeme. To pomaže operateru da ima bolju kontrolu nad električnim alatom u neočekivanim situacijama.
- Odjenite se kako treba. Ne nosite široku odjeću ili nakit. Držite kosu, odjeću i rukavice dalje od pokretnih dijelova. Široka odjeća, nakit i/ili duga kosa mogu biti zahvaćeni pokretnim dijelovima.

Upotreba i njega električnih alata

- Ne forsirajte električni alat. Koristite ispravan električni alat za svaku primjenu. Ispravan električni alat uvijek će bolje i sigurnije obaviti posao ako se koristi prema namjeni.
- Nemojte koristiti električni alat ako ga prekidač ne uključuje ili ne isključuje. Svaki električni alat koji se ne može kontrolirati prekidačem izuzetno je opasan i mora se popraviti.
- Isključite glavni utikač iz izvora napajanja i/ili bateriju iz električnog alata prije mijenjanja pribora, bilo kakvih podešavanja ili spremanja električnog alata. Takve preventivne sigurnosne mjere smanjit će rizik od slučajnog pokretanja električnog alata.
- Kada električni alat nije u uporabi, pohranite ga izvan dohvata djece i ne dopustite osobama koje nisu upoznate s električnim alatom ili ovim uputama da koriste i rukuju električnim alatom. Električni alati su izuzetno opasni u rukama neobučениh korisnika.
- Održavajte električni alat. Provjerite neusklađenost ili zaglavljivanje pokretnih dijelova, lomljenje dijelova, curenje i sve druge probleme koji mogu utjecati na rad električnog alata. Ako je električni alat oštećen, dajte ga popraviti prije uporabe. Mnoge nesreće i ozljede uzrokuju loše održavani električni alati.
- Održavajte rezne dijelove električnog alata oštima i čistima. Pravilno održavani rezni alati s oštrim reznim rubovima manje će se zaglaviti te su precizniji i lakši za upravljanje.
- Uvijek koristite električni alat, pribor i alate itd. u skladu s uputama ovog priručnika s uputama, uzimajući u obzir radne uvjete i posao koji treba obaviti. Korištenje električnog alata za namjene koje nisu predviđene može rezultirati ozljedama ili oštetiti električni alat.
- Držite ručke i sve površine za hvatanje električnog alata suhima, čistima i bez ulja i masti. Skliske ručke i površine za hvatanje ne dopuštaju sigurno rukovanje alatom u neočekivanim okolnostima.

Korištenje i održavanje baterijskog alata

- Baterije punite samo punjačem koji je naveo proizvođač. Punjač koji se koristi za punjenje neprikladnih baterija može stvoriti opasnost od požara.
- Koristite električni alat samo sa za to predviđenim baterijama. Korištenje bilo koje druge baterije može stvoriti rizik od ozljeda i požara.
- Kada se baterija ne koristi, držite je podalje od drugih metalnih predmeta, poput spajalica, kovanica, ključeva, čavala, vijaka ili drugih malih metalnih predmeta koji mogu uspostaviti vezu s jednog terminala na drugi. Kratki spoj polova baterije može uzrokovati opekline ili požar.
- U uvjetima zlouporabe, iz baterije može iscuriti tekućina; izbjegavajte kontakt. Ako slučajno dođe do kontakta, isperite vodom. Ako tekućina dođe u kontakt s očima, odmah potražite liječničku pomoć. Tekućina koja izlazi iz baterije može izazvati iritaciju ili opekline.
- Nemojte koristiti bateriju koja je oštećena ili modificirana. Oštećene ili modificirane baterije možda neće raditi kako treba, što može dovesti do požara ili eksplozije.
- Ne izlažite bateriju vatri ili visokim temperaturama. Izlaganje vatri ili temperaturama iznad 130°C može izazvati eksploziju.

Servis

- Neka električni alat servisira proizvođač ili kvalificirano servisno osoblje, koristeći samo identične zamjenske dijelove. To će osigurati očuvanje sigurnosti električnog alata.
- Nikada ne pokušavajte sami popraviti oštećene baterije. Servisiranje baterijskih paketa smije obavljati samo proizvođač ili ovlašteni serviser.

Sigurnosne upute za bateriju

- Nemojte rastavljati, otvarati, razbijati ili spaljivati bateriju.
- Zaštitite bateriju od topline (npr. od kontinuiranog intenzivnog sunčevog svjetla), vatre, vode i vlage. Postoji opasnost od eksplozije.
- Nemojte kratko spajati bateriju. Nemojte skladištiti bateriju na neodgovarajući način u kutiji ili ladici gdje bi mogle izazvati međusobni kratki spoj ili kratki spoj zbog vodljivih materijala. Kada se baterija ne koristi, držite je podalje od drugih metalnih predmeta, poput spajalica, kovanica, ključeva, čavala, vijaka ili drugih malih metalnih predmeta, koji mogu uspostaviti vezu s jednog terminala na drugi. Kratki spoj polova baterije može uzrokovati opekline ili požar.
- Prije uporabe električnog alata, provjerite je li baterija ispravno instalirana.

- Obavezno uklonite bateriju prije bilo kakvih podešavanja ili mijenjanja pribora, prije održavanja ili popravka i prije spremanja alata.
- Nemojte puniti oštećene baterije.
- Baterija se malo zagrije tijekom procesa punjenja. Ovo je normalno.
- Napunite bateriju do kraja prije pohranjivanja.
- Čuvajte bateriju na mjestu gdje je temperatura okoline 0-45°C. Nemojte skladištiti bateriju u područjima gdje je temperatura niža ili viša od navedenog raspona.
- Ako se vijek trajanja baterije značajno skрати nakon ponovnog punjenja, zamijenite bateriju ili je pošaljite proizvođaču ili servisnom centru na popravak.

Sigurnosne upute za kutne brusilice

- Nemojte koristiti alat ako ste bolesni, umorni ili pod utjecajem alkohola ili lijekova koji mogu utjecati na vašu sposobnost reagiranja.
- Prije uporabe alata provjerite jesu li alat i baterija u dobrom stanju. Nemojte koristiti alat ako je na bilo koji način oštećen.
- Držite električni alat samo za izolirane površine za držanje, kada izvodite radnju pri kojoj disk može doći u kontakt sa skrivenim ožičenijima. Dodir sa žicom pod naponom također će učiniti izložene metalne dijelove električnog alata "naponom" i može uzrokovati strujni udar operatera.
- Čvrsto držite ručke električnog alata.
- Učvršćivanje izratka u uređaju za pričvršćivanje kao što je škripac sigurnije je od držanja izratka rukom.
- Provjerite je li radno mjesto čisto i dobro prozračeno. Rad električnog alata može proizvesti prašinu štetnu po zdravlje, kao i zapaljivu prašinu.
- Pričekajte dok se disk potpuno ne zaustavi prije nego što odložite električni alat. Disk koji se vrti može zgrabiti površinu i izvući električni alat izvan vaše kontrole.
- Držite ruke podalje od rotirajućeg diska.
- Držite ravnotežu cijelo vrijeme tijekom rada.
- Tijekom rada uvijek nosite zaštitne naočale s bočnim štitnicima, masku za prašinu i zaštitu za sluh.

TEHNIČKI PODACI

| | |
|----------------------------|--|
| Napon | 20 V (Li-ion) |
| Brzina bez opterećenja | 3000/5400/8000 okr/min |
| Promjer diska | 125 mm |
| Motor | Brushless (bez četkica) |
| Matica s prirubnicom | M14 |
| Ostale značajke | Podesiva brzina, podešavanje zaštitne ploče bez ključa |
| Težina bez baterije (SOLO) | 1,5 kg |

Uključuje: 1 brusna ploča ϕ 125 mm, 1 bočna ručka s tri položaja, 1 ključ za kutnu brusilicu, aluminijska glava s remenicom i blokadom vretena

UPUTE ZA UPOTREBU



Pažnja: Pazite da potpuno napunite bateriju prije rada s električnim alatom. Ne punitite bateriju u području gdje je temperatura okoline niža od 0°C ili viša od 40°C.

Punjenje baterije



Oprez: Koristite samo odgovarajući punjač za punjenje baterije.

1. Spojite punjač u strujnu utičnicu.
2. Poravnajte izbočene rebra na bateriji s otvorom punjača.
3. Uključite bateriju u punjač.
4. Nakon što je baterija potpuno napunjena, na punjaču će zasvijetliti zelena LED lampica.

Ugradnja baterije



Oprez: Ne postavljajte neprikladne baterije na električni alat. Korištenje baterija drugih proizvođača može uzrokovati požar i ozljede.

1. Poravnajte rebro koje strši na bateriji s utorom na dnu kutne brusilice.
2. Umetnite bateriju u električni alat.



Oprez: Provjerite je li baterija pravilno pričvršćena na električni alat.

Indikator punjača

| Stanje baterije | Svjetlosni indikator |
|-------------------------------------|---|
| Visoka/niska temperatura | Trepće crveno svjetlo. Punjenje će započeti kada temperatura baterije dosegne 0-40°C. |
| Baterija ili punjač nisu u funkciji | Crveno svjetlo dugo treperi ili ne treperi. |
| Punjenje | Trepće crveno svjetlo. |
| Potpuno napunjen | Trepće zeleno svjetlo. |

ODRŽAVANJE



Oprez: Izvadite bateriju prije izvođenja radova održavanja na električnom alatu.

- Redovito provjeravajte pričvršne vijke kako biste bili sigurni da su dobro zategnuti.
- Redovito provjeravajte kabel punjača. Ako se pronađe oštećenje, pošaljite punjač proizvođaču ili u ovlaštenu servis na popravak.
- Ventilacijske otvore održavajte čistima i bez zapreka.
- Prilikom čišćenja električnog alata izbjegavajte korištenje otapala koja oštećuju plastiku. Koristite mekanu krpnu navlaženu toplom sapunicom.
- Prilikom čišćenja električnog alata pazite da voda ne uđe u motor.

ZBRINJAVANJE OKOLIŠA

Kako bi se izbjegla oštećenja pri prijevozu, uređaj se mora isporučiti u čvrstom pakiranju. Ambalaža te jedinica i pribor izrađeni su od materijala koji se mogu reciklirati i mogu se na odgovarajući način zbrinuti. Plastične komponente uređaja označene su prema materijalu, što omogućuje uklanjanje ekološki prihvatljivih i diferenciranih komponenti zbog raspoloživih objekata za sakupljanje.



Samo za države članice EU-a

Nemojte odlagati električne uređaje zajedno s kućnim otpadom!

U skladu s Europskom Direktivom 2002/96/EC o otpadnoj električnoj i elektroničkoj opremi i njezinoj provedbi u skladu s nacionalnim pravom, električni uređaji koji su dostigli kraj svog životnog vijeka moraju se odvojeno prikupljati i vraćati u ekološki prihvatljivo postrojenje za recikliranje.

* Proizvođač zadržava pravo na manje izmjene u dizajnu proizvoda i tehničkim specifikacijama bez prethodne najave, osim ako te promjene značajno utječu na performanse i sigurnost proizvoda. Dijelovi opisani / ilustrirani na stranicama priručnika koje držite u rukama također se mogu odnositi na druge modele proizvođačeve linije proizvoda sa sličnim značajkama i možda neće biti uključeni u proizvod koji ste upravo nabavili.

* Kako bi se osigurala sigurnost i pouzdanost proizvoda i valjanost jamstva, sve popravke, inspeksijske ili zamjenske radove, uključujući održavanje i posebne prilagodbe, smiju obavljati samo tehničari ovlaštenog servisnog odjela proizvođača.

* Uvijek koristite proizvod s isporučenom opremom. Rad proizvoda s neiskorištenom opremom može uzrokovati kvarove ili čak ozbiljne ozljede ili smrt. Proizvođač i uvoznik nisu odgovorni za ozljede i štete nastale uporabom nesukladne opreme.

BIZTONSÁGI SZIMBOLOK

| | | |
|---|---|---|
|  |  |  |
| Viseljen szemvédőt. | Viseljen hallásvédőt. | Viseljen védőkesztyűt. |
|  |  |  |
| Viseljen porvédő maszkot. | Viseljen védőruházatot. | Ne tegye ki a készüléket esőnek vagy nedvességnek. |

BIZTONSÁGI UTASÍTÁSOK



Figyelmeztetés: Használat előtt figyelmesen olvassa el a használati útmutatót. A figyelmeztetések és utasítások figyelmen kívül hagyása a készülék károsodásához, testi sérüléshez és/vagy anyagi kárhoz vezethet. Tárolja a kézikönyvet biztonságos helyen a későbbi használatra.

Munkaterület biztonsága

- Tartsa a munkaterületet tisztán és jól megvilágítva. A sötét vagy rendetlen területek balesetekhez vezethetnek.
- Ne működtesse az elektromos szerszámokat robbanásveszélyes környezetben, például gyúlékony folyadékok vagy füstök, gázok vagy por jelenlétében. Az elektromos szerszámok szikrákat hozhatnak létre, amelyek meggyújthatják a gázokat vagy füstöket.
- Az elektromos szerszám működtetése közben tartsa biztonságos távolságban a gyermekeket és a közelben állókat.

Elektromos biztonság

- Győződjön meg arról, hogy az elektromos szerszámok dugaszai illeszkednek a konnektorhoz. Soha ne módosítsa a dugót semmilyen módon. Ne használjon adapterdugót földelt elektromos szerszámokkal. A változatlan dugók és a megfelelő konnektorok használata csökkenti az áramütés veszélyét.
- Kerülje a test érintkezését földelt vagy földelt anyagokkal vagy tárgyakkal, például radiátorokkal, csövekkel, tűzhelyekkel és hűtőszekrényekkel. Óriási az áramütés veszélye, ha a teste földelt vagy földelt.
- Ne tegye ki az elektromos szerszámokat esőnek vagy más nedves körülményeknek. Az elektromos szerszámba kerülő víz növelheti az áramütés veszélyét.
- Ne éljen vissza a tápkábelrel. Soha ne használja a kábelt az elektromos szerszám hordozására, húzására vagy kihúzására. Tartsa a kábelt biztonságos távolságban a hőtől, olajtól, éles szélektől és minden mozgó alkatrésztől. A sérült vagy összegabalyodott zsinór növeli az áramütés veszélyét.
- Ha elektromos szerszámot használ kültéren, olyan hosszabbító kábelt használjon, amely a kültéri használatra vonatkozó előírásoknak megfelel. A kültéri használatra alkalmas hosszabbító kábel használata csökkenti az áramütés veszélyét.

Személyes biztonság

- Maradjon éber, figyeljen arra, hogy mit csinál, és használja a józan eszt, amikor az elektromos szerszámot kezeli. Ne használja az elektromos szerszámot, ha fáradtnak érzi magát, vagy alkohol, kábítószer vagy gyógyszer hatása alatt áll. Egy pillanatnyi figyelmetlenség az elektromos szerszám működtetése közben súlyos személyi sérülést okozhat.
- Használjon egyéni védőfelszerelést. Mindig viseljen szemvédőt. A megfelelő körülmények között használt védőfelszerelések, mint például a porvédő maszk, a hallásvédelem, a csúszásmentes biztonsági cipő vagy a védősisak, csökkentik a személyi sérülések kockázatát.
- Megakadályozza a véletlen indítást. Győződjön meg róla, hogy a hálózati kapcsoló kikapcsolt helyzetben van, mielőtt csatlakoztatja az áramforrást és/vagy az akkumulátort, felveszi vagy hordozza az elektromos szerszámot. Az elektromos szerszámok hordozása úgy, hogy az ujj a hálózati kapcsolón van, vagy olyan elektromos szerszámok csatlakoztatása áramforráshoz, amelyknél a kapcsoló bekapcsolt helyzetben van, balesethez vezethet.

- Az elektromos szerszám bekapcsolása előtt távolítsa el a beállító kulcsokat vagy kulcsokat. A z elektromos szerszám forgó részéhez rögzített beállítókulcs vagy kulcs személyi sérülést okozhat.
- Ne essünk túlzásokba. Mindig tartsa meg az egyensúlyt és a megfelelő lábtartást. Ez segít a kezelőnek abban, hogy váratlan helyzetekben jobban tudja irányítani az elektromos szerszámot.
- Öltözzön megfelelően. Ne viseljen bő ruházatot vagy ékszereket. Tartsa távol haját, ruházatát és kesztyűjét a mozgó alkatrészekről. A laza ruhák, ékszerek és/vagy hosszú haj beakadhat a mozgó alkatrészekbe.

Elektromos szerszámok használata és gondozása

- Ne erőltesse az elektromos szerszámot. Használja a megfelelő elektromos szerszámot az egyes alkalmazásokhoz. A megfelelő elektromos szerszám mindig jobban és biztonságosabban végzi a munkát, ha rendeltetészerűen használja.
- Ne használja az elektromos szerszámot, ha a kapcsoló nem kapcsolja be vagy ki. Minden olyan elektromos szerszám, amelyet nem lehet a kapcsolóval vezérelni, rendkívül veszélyes, és meg kell javítani.
- A tartozékok cseréje, bármilyen beállítás elvégzése vagy az elektromos szerszám tárolása előtt húzza ki a főcsatlakozót az áramforrásból és/vagy az akkumulátort az elektromos szerszámából. Az ilyen megelőző biztonsági intézkedések csökkentik az elektromos szerszám véletlenszerű beindításának kockázatát.
- Amikor az elektromos szerszámot nem használja, tárolja azt gyermekek számára elérhetetlen helyen, és ne engedje, hogy az elektromos szerszámot vagy a jelen használati utasítást nem ismerő személyek használják és kezeljék az elektromos szerszámot. Az elektromos szerszámok rendkívül veszélyesek a képzetlen felhasználók kezében.
- Karbantartja az elektromos szerszámot. Ellenőrizze a mozgó alkatrészek helytelen beállítását vagy kötését, az alkatrészek törését, szivárgást és minden más olyan problémát, amely befolyásolhatja az elektromos szerszám működését. Sérülés esetén használat előtt javíttassa meg az elektromos szerszámot. Sok balesetet és sérülést okoznak a rosszul karbantartott elektromos szerszámok.
- Tartsa élesen és tisztán az elektromos szerszám vágó részeit. A megfelelően karbantartott, éles vágóélel rendelkező vágószerszámok kevésbé hajlamosak megakadni, pontosabbak és könnyebben irányíthatók.
- Az elektromos szerszámot, a tartozékokat és a szerszámhegyeket stb. mindig a jelen használati utasításban foglaltaknak megfelelően használja, figyelembe véve a munkakörülményeket és az elvégzendő munkát. Az elektromos szerszám rendeltetésétől eltérő felhasználása személyi sérülést okozhat, vagy az elektromos szerszám károsodását okozhatja.
- Tartsa az elektromos szerszám fogantyúit és fogófelületeit szárazon, tisztán, olaj- és zsírmentesen. A csúszós fogantyúk és fogófelületek nem teszik lehetővé a szerszám biztonságos kezelését váratlan körülmények között.

Akkumulátoros szerszámok használata és ápolása

- Az akkumulátorokat csak a gyártó által megadott töltővel tölts fel. A nem megfelelő akkumulátorok t öltésére használt töltő tűzveszélyt okozhat.
- Az elektromos szerszámot csak a kifejezetten erre a célra szolgáló akkumulátorokkal használja. Más akkumulátorcsomagok használata sérülés- és tűzveszélyt okozhat.
- Amikor az akkumulátor nem használatban van, tartsa távol más fémtárgyaktól, például gemkapcsoktól, érméktől, kulcsoktól, szögektől, csavaroktól vagy más apró fémtárgyaktól, amelyek kapcsolatot teremthetnek az egyik csatlakozóról a másikra. Az akkumulátor pólusainak rövidre zárása égési sérüléseket vagy tüzet okozhat.
- Visszaélészerű körülmények között az akkumulátorból folyadék ürülhet ki; kerülje az érintkezést. Ha véletlenül érintkezés történik, öblítse le vízzel. Ha a folyadék szembe kerül, azonnal forduljon orvoshoz. Az akkumulátorból kilöködő folyadék irritációt vagy égési sérüléseket okozhat.
- Ne használjon sérült vagy módosított akkumulátorcsomagot. A sérült vagy módosított akkumulátorok nem működhetnek rendeltetészerűen, ami tüzet vagy robbanást okozhat.
- Ne tegye ki az akkumulátorcsomagot tűznek vagy túlzott hőmérsékletnek. Tűznek vagy 130 °C feletti hőmérsékletnek való kitétel robbanást okozhat.

Szolgáltatás

- Az elektromos szerszámot csak azonos cserealkatrészek felhasználásával a gyártó vagy szakképzett szervizszemélyzet szervizelje. Ez biztosítja, hogy az elektromos szerszám biztonsága megmaradjon.
- Soha ne próbálja meg saját maga megjavítani a sérült akkumulátorokat. Az akkumulátorcsomagok szervizelését csak a gyártó vagy az erre felhatalmazott szerviztechnikusok végezhetik.

Biztonsági utasítások az akkumulátorcsomagra vonatkozóan

- Ne szedje szét, ne nyissa fel, ne törje össze és ne égesse el az akkumulátorcsomagot.
- Védje az akkumulátort a hőtől (pl. a folyamatos intenzív napsugárzástól), tűztől, víztől és nedvességtől. Robbanásveszély áll fenn.
- Ne zárja rövidre az akkumulátort. Ne tárolja az akkumulátorcsomagot nem megfelelő módon olyan dobozban vagy fiókban, ahol rövidre zárhatják egymást, vagy vezetőképes anyagokkal rövidre zárhatják egymást. Amikor az akkumulátorcsomag nincs használatban, tartsa távol más fémtárgyaktól, például gemkapcsoktól, érméktől, kulcsoktól, szögektől, csavaroktól vagy más apró fémtárgyaktól, amelyek kapcsolatot teremthetnek az egyik kapocsról a másikra. Az akkumulátor pólusainak rövidre zárása égési sérüléseket vagy tüzet okozhat.
- Az elektromos szerszám használata előtt győződjön meg arról, hogy az akkumulátor megfelelően be van-e szerelve.
- A beállítások elvégzése vagy a tartozékok cseréje, a karbantartási vagy javítási munkák elvégzése, valamint a szerszám tárolása előtt mindenképpen vegye ki az akkumulátort.
- Ne töltsse fel a sérült akkumulátorokat.
- Az akkumulátor egy kicsit felmelegszik a töltési folyamat során. Ez normális.
- Tárolás előtt töltsse fel teljesen az akkumulátort.
- Az akkumulátort olyan helyen tárolja, ahol a környezeti hőmérséklet 0-45°C között van. Ne tárolja az akkumulátort olyan helyen, ahol a hőmérséklet a megadott tartománynál alacsonyabb vagy magasabb.
- Ha az akkumulátor élettartama a feltöltés után jelentősen lerövidül, cserélje ki az akkumulátort, vagy küldje el javításra a gyártónak vagy egy szervizközpontnak.

Biztonsági utasítások sarokcsiszolókhöz

- Ne kezelje a szerszámot, ha beteg, fáradt, vagy alkohol, illetve olyan gyógyszerek hatása alatt áll, amelyek befolyásolhatják a reakcióképességét.
- A szerszám használata előtt győződjön meg arról, hogy a szerszám és az akkumulátor jó állapotban van. Ne működtesse a szerszámot, ha az bármilyen módon sérült.
- Az elektromos szerszámot csak a szigetelt fogófelületeknél fogja meg, ha olyan műveletet végez, ahol a tárcsa érintkezhet rejtett vezetékkel. A "feszültség alatt álló" vezetékkel való érintkezés az elektromos szerszám szabadon lévő fémrészeit is "feszültség alatt" tartja, és áramütést okozhat a kezelőnek.
- Tartsa szilárdan fogva az elektromos szerszám fogantyúit.
- A munkadarab rögzítése egy rögzítő eszközben, például egy csavarhúzóban biztonságosabb, mint a munkadarab kézzel történő tartása.
- Gondoskodjon arról, hogy a munkahely tiszta és jól szellőztetett legyen. Az elektromos szerszám működése egészségre ártalmas port, valamint gyúlékony port termelhet.
- Várja meg, amíg a tárcsa teljesen megáll, mielőtt leteszi a szerszámot. A forgó tárcsa megragadhatja a felületet, és kihúzhatja az elektromos szerszámot az irányításából.
- Tartsa távol a kezét a forgó tárcsától.
- Működés közben mindig tartsa meg az egyensúlyát.
- Működés közben mindig viseljen oldalsó védőszemüveget, porvédő maszkot és hallásvédelmet.

TECHNIKAI ADATOK

| | |
|--------------------------------|--|
| Napięcie | 20 V (Li-ion) |
| Prędkość bez obciążenia | 3000/5400/8000 obr/min |
| Średnica tarczy | 125 mm |
| Silnik | Brushless (bezszcotkowy) |
| Nakrętka kotnierzowa | M14 |
| Egyéb jellemzők | Állítható sebesség, kulcs nélküli védőburkolat-beállítás |
| Súly akkumulátor nélkül (SOLO) | 1,5 kg |

Tartalmaz: 1 db ϕ 125 mm-es csiszolókorong, 1 db hárompozíciós oldalsó fogantyú, 1 db sarokcsiszoló kulcs, alumínium hajtóműdoboz órsóretessel

HASZNÁLATI UTASÍTÁS



Figyelem! A szerszám működtetése előtt feltétlenül tölts fel teljesen az akkumulátort. Ne tölts az akkumulátort olyan helyen, ahol a környezeti hőmérséklet 0 °C-nál alacsonyabb vagy 40 °C-nál magasabb.

Az akkumulátor töltése



Vigyázat! Csak a megfelelő töltőt használja az akkumulátor töltéséhez.

1. Csatlakoztassa a töltőt egy konnektorhoz.
2. Igazítsa az akkumulátor kiálló bordáit a töltő nyílásához.
3. Csatlakoztassa az akkumulátort a töltőhöz.
4. Ha az akkumulátor teljesen feltöltődött, a töltőn lévő zöld LED-lámpa kigyullad.

Az akkumulátor beszerelése



Vigyázat! Ne helyezzen be nem megfelelő akkumulátorokat az elektromos szerszámba. Más gyártóktól származó akkumulátorok használata tüzet és sérülést okozhat.

1. Igazítsa az akkumulátor kiálló bordáját a sarokcsiszoló alján lévő horonyhoz.
2. Helyezze be az akkumulátort az elektromos szerszámba.



Vigyázat! Győződjön meg róla, hogy az akkumulátor megfelelően rögzítve van az elektromos szerszámon.

Töltő jelzőfénye

| Az akkumulátor állapota | Jelzőlámpa |
|---|---|
| Magas/alacsony hőmérséklet | Vörös fény villog. A töltés akkor kezdődik, amikor az akkumulátor hőmérséklete eléri a 0-40°C-ot. |
| Az akkumulátor vagy a töltő nem működik | Piros fény hosszan villog vagy nem villog. |
| Töltés | Vörös fény villog. |
| Teljesen feltöltve | Zöld fény villog. |

KARBANTARTÁS



Vigyázat! Vegye ki az akkumulátort, mielőtt karbantartási munkálatokat végez az elektromos szerszámon.

- Rendszeresen ellenőrizze a rögzítőcsavarokat, hogy jól meg legyenek-e húzva.
- Rendszeresen ellenőrizze a töltőkábelt. Ha sérülést talál, küldje el a töltőt a gyártónak vagy egy hivatalos szervizközpontnak javításra.
- Tartsa tisztán és akadálymentesen a szellőzőnyílásokat.
- Az elektromos szerszám tisztításakor kerülje a műanyagot károsító oldószerek használatát. Használjon meleg szappanos vízzel megnedvesített puha ruhát.
- Az elektromos szerszám tisztításakor ügyeljen arra, hogy víz ne kerüljön a motorba.

KÖRNYEZETBARÁT ÁRTALMATLANÍTÁS

A szállítás során bekövetkező sérülések elkerülése érdekében a szerszámot szilárd csomagolásban kell szállítani. A csomagolás, valamint a készülék és a tartozékok újrahasznosítható anyagokból készültek, és ennek megfelelően ártalmatlaníthatók. A szerszám műanyag alkatrészei anyaguknak megfelelően vannak jelölve, ami lehetővé teszi a környezetbarát és differenciált ártalmatlanítást a rendelkezésre álló gyűjtőhelyeken.



Csak EU-országokban

Az elektromos szerszámokat ne dobja a háztartási hulladékba!

Az elektromos és elektronikus berendezések hulladékairól szóló 2002/96/EK európai irányelvnek és annak nemzeti jogba való átültetésének megfelelően az élettartamuk végéhez érkezett elektromos szerszámokat külön kell gyűjteni és környezetbarát újrahasznosító telepre kell visszazállítani.

** Producent zastrzega sobie prawo do wprowadzania niewielkich zmian w konstrukcji i specyfikacji technicznej produktu bez wcześniejszego powiadomienia, chyba że zmiany te znacząco wpływają na wydajność i bezpieczeństwo produktów. Części opisane / zilustrowane na stronach instrukcji, którą trzymasz w rękach, mogą również dotyczyć innych modeli linii produktów producenta o podobnych cechach i mogą nie być zawarte w produkcji, który właśnie nabyłeś.*

** Aby zapewnić bezpieczeństwo i niezawodność produktu oraz ważność gwarancji, wszelkie naprawy, przeglądy lub wymiany, w tym konserwacja i specjalne regulacje, mogą być wykonywane wyłącznie przez techników autoryzowanego działu serwisowego producenta.*

** Produkt należy zawsze użytkować z dostarczonym wyposażeniem. Użytkowanie produktu z niedostarczonym sprzętem może spowodować nieprawidłowe działanie, a nawet poważne obrażenia lub śmierć. Producent i importer nie ponoszą odpowiedzialności za obrażenia i szkody wynikające z użycia niezgodnego sprzętu.*

EN

The power tools have been manufactured according to strict standards, set by our company, which are aligned with the respective European quality standards. The power tools of our company are provided with a warranty period of 24 months for non-professional use and 12 months for professional use. The warranty is valid from the date of purchase of the product. Proof of the warranty right is the purchase document of the tool (retail receipt or invoice). Under no circumstances shall the company cover the relevant cost of spare parts and respective required working hours unless a copy of the purchase document is presented. In case the repair has to be done by our service department the cost of transportation (to and from) is entirely borne by the sender (client). The tools must be sent for repair to the company or to an authorized workshop in the appropriate way and means of transport.

WARRANTY EXEMPTIONS AND RESTRICTIONS:

- 1) Spare parts that wear out naturally as a consequence of being used (brushes, cables, switches, chucks etc.).
- 2) Tools damaged as a result of non-compliance with the instructions of the manufacturer.
- 3) Tools poorly maintained.
- 4) Use of improper lubricants or accessories.
- 5) Tools given to third entities free of charge.
- 6) Damage due to an electrical connection at a voltage other than that indicated on the appliance plate.
- 7) Connection to a non-earthed power supply.
- 8) Change in current voltage.
- 9) Damage resulting from the use of salty water (e.g., washing machines, pumps).
- 10) Damage or malfunction resulting from improper cleaning procedure of the tool.
- 11) Contact of the tool with chemicals, or damage as a result of moisture or corrosion.
- 12) Tools that have been modified or opened by unauthorized personnel.
- 13) Broken parts/components as a result of inappropriate use.
- 14) Tools used for rent.

The warranty covers only the free of charge replacement of the component that presents a manufacturing defect or material failure. In case of lack of a specific spare part the company reserves the right to replace the tool with another corresponding model. After all warranty procedures have been concluded, the warranty period of the tool shall not be extended or renewed. Replacement of a spare part with repair charge is covered by a 1 year warranty of good operation, subject to compliance with the warranty terms. The spare parts or tools that are replaced remain in the possession of our company. Requirements, other than those mentioned in this warranty form, regarding power tools repair or damage thereof, do not apply. Greek law and relative regulations apply to this warranty.

EL

Τα ηλεκτρικά εργαλεία έχουν κατασκευαστεί με αυστηρά πρότυπα που έχει θέσει η εταιρεία και συνάδουν με τα ευρωπαϊκά πρότυπα ποιότητας. Για τα ηλεκτρικά εργαλεία της εταιρείας μας παρέχεται περίοδος εγγύησης 24 μηνών για ερασιτεχνική χρήση και 12 μηνών για επαγγελματική χρήση. Η ισχύς της εγγύησης ξεκινά από την ημερομηνία αγοράς των προϊόντων. Αποδεικτικό του δικαιώματος της εγγύησης αποτελεί το παραστατικό αγοράς του εργαλείου (απόδειξη λιανικής ή τιμολόγιο). Σε καμιά περίπτωση η εταιρεία δεν καλύπτει τη σχετική δαπάνη ανταλλακτικών και εργασίας εάν και εφόσον δε συνοδεύεται από αντίγραφο του παραστατικού αγοράς. Σε περίπτωση που η επισκευή πρέπει να γίνει στο service μας η δαπάνη μεταφοράς (από και προς) βαρύνει εξ' ολοκλήρου τον αποστολέα. Τα εργαλεία αποστέλλονται για την επισκευή τους στην εταιρεία ή σε εξουσιοδοτημένο συνεργείο με τον ενδεδειγμένο τρόπο και μέσο μεταφοράς.

ΕΞΑΙΡΕΣΕΙΣ ΚΑΙ ΠΕΡΙΟΡΙΣΜΟΙ ΤΗΣ ΕΓΓΥΗΣΗΣ:

- 1) Ανταλλακτικά που φθείρονται φυσιολογικά από τη χρήση τους (καρβουνάκια, καλώδιο, διακόπτες, τσοκ κ.λ.π.).
- 2) Εργαλεία που έχουν υποστεί ζημίες από τη μη συμμόρφωση με τις οδηγίες του κατασκευαστή.
- 3) Εργαλεία με ελλιπή συντήρηση.
- 4) Χρήση μη ενδεδειγμένων λιπαντικών ή εξαρτημάτων.
- 5) Εργαλεία που έχουν δοθεί χωρίς επιβάρυνση.
- 6) Βλάβη που οφείλεται σε ηλεκτρική σύνδεση σε τάση διαφορετική από την αναγραφόμενη στην πινακίδα συσκευής.
- 7) Σύνδεση σε μη γειωμένο ρευματοδότη.
- 8) Μεταβολή της τάσης του ρεύματος.
- 9) Βλάβη που προκύπτει από τη χρήση αλμυρού νερού (π.χ. πλυστικά, αντλίες).
- 10) Βλάβη ή κακή λειτουργία που έχει προκύψει από πλημμελή καθαρισμό του εργαλείου.
- 11) Επαφή του εργαλείου με χημικά, ή βλάβη από υγρασία, διάβρωση.
- 12) Εργαλεία που έχουν υποστεί τροποποιήσεις – αλλαγές ή έχουν ανοιχτεί από μη εξουσιοδοτημένο συνεργείο.
- 13) Σπασμένα μέρη/εξαρτήματα εξαιτίας μη ορθής χρήσης.
- 14) Εργαλεία που χρησιμοποιούνται για ενοικίαση.

Η εγγύηση καλύπτει αποκλειστικά τη δωρεάν αντικατάσταση του εξαρτήματος που έχει κατασκευαστικό ελάττωμα ή αστοχία υλικού. Σε περίπτωση έλλειψης ανταλλακτικού η εταιρεία διατηρεί το δικαίωμα αντικατάστασης του εργαλείου με άλλο αντίστοιχο μοντέλο. Μετά τη διεκπεραίωση εγγύησης δεν επιμηκύνεται ούτε ανανεώνεται ο χρόνος εγγύησης του εργαλείου. Αντικατάσταση ανταλλακτικού με χρέωση επισκευής, καλύπτεται από 1 χρόνο εγγύησης καλής λειτουργίας, με προϋπόθεση την τήρηση των όρων εγγύησης. Τα ανταλλακτικά ή τα εργαλεία τα οποία αντικαθίστανται παραμένουν στην κατοχή της εταιρείας μας. Άλλες απαιτήσεις, εκτός από αυτές που αναφέρονται σε αυτό το έντυπο εγγύησης επισκευής ή βλαβών ηλεκτρικών εργαλείων, δεν ισχύουν. Για την εγγύηση αυτή ισχύει το ελληνικό δίκαιο.

Les outils électriques sont fabriqués selon des normes strictes, établies par notre société et se sont alignées sur les normes de qualité européennes respectives. Les outils électriques de notre société sont bénéficiés d'une garantie de 24 mois pour une utilisation non professionnelle et de 12 mois pour une utilisation professionnelle. La garantie est valable à partir de la date d'achat du produit. La preuve du droit à la garantie est le document d'achat de l'outil (ticket de caisse ou facture). En aucun cas, l'entreprise ne couvrira le coût des pièces de rechange et des heures de travail nécessaires si une copie du document d'achat n'est pas présentée. Si la réparation doit être effectuée par notre service après-vente, les frais de transport (aller- retour) sont entièrement à la charge de l'expéditeur (client). Les outils doivent être envoyés pour réparation à l'entreprise ou à un atelier agréé de la manière et avec le moyen de transport appropriée.

EXEMPTIONS ET RESTRICTIONS DE GARANTIE:

- 1) Les pièces de rechange qui s'usent naturellement suite à leur utilisation (balaise, câbles, interrupteurs, mandrins etc.).
- 2) Les outils endommagés à la suite du non-respect des instructions du fabricant.
- 3) Outils mal entretenus.
- 4) Utilisation de lubrifiants ou d'accessoires inappropriés.
- 5) Outils donnés à des tiers à titre gratuit.
- 6) Dommages dus à un mauvais branchement électrique ou à une tension différente de celle indiquée sur la plaque de l'appareil.
- 7) Connexion à une alimentation électrique non reliée à la terre.
- 8) Fluctuation de la tension inacceptable.
- 9) Dommages résultant de l'utilisation d'eau salée (par exemple, machines à laver, pompes).
- 10) Dommages ou dysfonctionnement résultant d'une procédure de nettoyage inadéquate de l'appareil.
- 11) Contact de l'outil avec des produits chimiques, ou dommages résultant de l'humidité ou de la corrosion.
- 12) Les outils qui ont été modifiés ou ouverts par du personnel non autorisé.
- 13) Pièces/composants cassés à la suite d'une utilisation inappropriée.
- 14) Les outils utilisés à location.

La garantie couvre uniquement le remplacement gratuit du composant qui présente un défaut de fabrication ou une défaillance matérielle. En cas d'absence d'une pièce de rechange spécifique, l'entreprise se réserve le droit de remplacer l'outil par un autre modèle correspondant. Après la conclusion de toutes les procédures de garantie, la période de garantie de l'outil ne sera pas prolongée ou renouvelée. Le remplacement d'une pièce de rechange, ainsi que les frais de réparation, sont couverts par une garantie de bon fonctionnement d'un an, sous réserve du respect des conditions de garantie. Les pièces de rechange ou les outils remplacés restent en possession de notre société. Les exigences, autres que celles mentionnées dans ce formulaire de garantie, concernant la réparation des outils électriques ou leur endommagement, ne sont pas applicables. La loi grecque et ses règlements s'appliquent à cette garantie.

Gli elettrotensili sono stati fabbricati secondo gli standard rigorosi, stabiliti dalla nostra azienda, che sono allineati con i rispettivi standard di qualità europei. Gli elettrotensili della nostra azienda sono forniti con un periodo di garanzia di 24 mesi per uso non professionale e di 12 mesi per uso professionale. La garanzia è valida dalla data di acquisto del prodotto. La prova del diritto di garanzia è il documento di acquisto dell'utensile (scontrino o fattura). In nessun caso l'azienda coprirà il relativo costo dei pezzi di ricambio e delle rispettive ore di lavoro necessarie se non viene presentata una copia del documento di acquisto. Nel caso in cui la riparazione debba essere effettuata dal nostro servizio di assistenza, il costo del trasporto (da e per) è interamente a carico del mittente (cliente). Gli utensili devono essere inviati per la riparazione all'azienda o ad un'officina autorizzata nel modo e nel mezzo di trasporto appropriato.

ECCEZIONI E LIMITAZIONI ALLA GARANZIA:

- 1) Pezzi di ricambio che si deteriorano naturalmente con l'uso (pezzi di consumo).
- 2) Utensili danneggiati dal mancato rispetto delle istruzioni del produttore.
- 3) Strumenti con manutenzione insufficiente.
- 4) Uso di lubrificanti o parti inappropriate.
- 5) Strumenti dati gratuitamente.
- 6) Guasto dovuto a un collegamento dell'aria compressa a una pressione diversa da quella indicata sulla targhetta dei dati tecnici.
- 7) Danni derivanti dall'uso di aria compressa impura e non filtrata.
- 8) Danni o malfunzionamenti derivanti da una pulizia inadeguata dell'utensile.
- 9) Contatto dell'utensile con prodotti chimici, o danni da umidità, corrosione.
- 10) Strumenti che hanno subito modifiche - cambiamenti o sono stati aperti da un'officina non autorizzata.
- 11) Strumenti utilizzati per il noleggio.
- 12) Strumenti che sono stati modificati o aperti da personale non autorizzato.
- 13) Rottura di parti/componenti a causa di un uso improprio.
- 14) Strumenti utilizzati per il noleggio.

La garanzia copre solo la sostituzione gratuita del componente che presenta un difetto di fabbricazione o di materiale. In caso di mancanza di un pezzo di ricambio specifico, l'azienda si riserva il diritto di sostituire l'utensile con un altro modello corrispondente. Una volta concluse tutte le procedure di garanzia, il periodo di garanzia dell'utensile non potrà essere esteso o rinnovato. La sostituzione di un pezzo di ricambio, insieme al costo della riparazione, è coperta da una garanzia di buon funzionamento di 1 anno, a condizione che vengano rispettati i termini della garanzia. I pezzi di ricambio o gli utensili che vengono sostituiti rimangono in possesso della nostra azienda. I requisiti, diversi da quelli menzionati in questo modulo di garanzia, riguardanti la riparazione di utensili elettrici o il loro danneggiamento, non si applicano. La legge greca e i relativi regolamenti si applicano a questa garanzia.

Mjetet e energjisë janë prodhuar sipas standardeve strikte, të vendosura nga kompania jonë, të cilat janë në përputhje me standardet respektive evropiane të cilësisë. Mjetet e energjisë të kompanisë sonë janë siguruar me një periudhë garancie prej 24 muaj për përdorim jo profesional dhe 12 muaj për përdorim profesional. Garancia është e vlefshme nga data e blerjes së produktit. Prova e së drejtës së garancisë është dokumenti i blerjes së mjetit (faturë ose faturë me pakicë). Në asnjë rrethanë ndërmarrja nuk mbulon koston përkatëse të pjesëve të këmbimit dhe orarin përkatës të kërkuar të punës, përveç kur është paraqitur një kopje e dokumentit të blerjes. Në rast se riparimi duhet të bëhet nga departamenti ynë i shërbimit kostoja e transportit (për dhe nga) është tërësisht e mbajtur nga dërguesi (klienti). Mjetet duhet të dërgohen për riparim në ndërmarrje ose në një punishtë të autorizuar në mënyrën dhe mjetet e duhura të transportit.

PËRJASHTIMET DHE KUFIZIMET E GARANCISË:

- 1) Pjesët rezervë që përdoren në mënyrë natyrale si pasojë e përdorur (furçat, kabllot, ndërruesit, mbytjet etj.).
- 2) Veglat e dëmtuara si rezultat i mosrëspëktimit të udhëzimeve të prodhuesit.
- 3) Mjetet e mbajtura keq.
- 4) Përdorimi i lubrifikantëve ose aksesorëve të papërshtatshëm.
- 5) Mjetet që u jepen enteve të treta pa pagesë.
- 6) Dëmtimi për shkak të një lidhje elektrike në një tension tjetër nga ai i treguar në pllakën e pajisjes.
- 7) Lidhja me furnizimin me energji jo tokësore.
- 8) Ndryshimi i tensionit aktual.
- 9) Dëmtimi që vijnë si pasojë e përdorimit të ujit të kripur (p.sh., lavatrice, pompa).
- 10) Dëmtimi ose mosfunksionimi që rezultojn nga procedura e papërshtatshme e pastrimit të mjetit.
- 11) Kontakti i mjetit me kimikate, ose dëmtimi si pasojë e lagështisë ose korrozionit.
- 12) Mjete që janë modifikuar ose hapur nga personel i paautorizuar.
- 13) Pjesë/përbërës të thyer si rezultat i përdorimit të papërshtatshëm.
- 14) Veglat e përdorura për qira.

Garancia mbulon vetëm zëvendësimin pa pagesë të komponentit që paraqet një defekt prodhues ose dështim material. Në rast të mungesës së një pjesë rezervë specifike kompania rezervon të drejtën për të zëvendësuar mjetin me një model tjetër përkatës. Pasi të jenë përfunduar të gjitha procedurat e garancisë, periudha e garancisë së mjetit nuk do të zgjatet ose të rinovohet. Zëvendësimi i një pjesë rezervë, së bashku me ngarkesën e riparimit, mbulohet nga një garanci veprimi e mirë 1 vit, subjekt i përputhjes me kushtet e garancisë. Pjesët e këmbimit ose mjetet që zëvendësohen mbeten në zotërim të kompanisë sonë. Kërkesat, përveç atyre të përmendura në këtë formë garancie, në lidhje me riparimin ose dëmtimin e mjeteve të energjisë elektrike, nuk zbatohen. Ligji grek dhe rregullat relative zbatohen për këtë garancia.

Električni alati su proizvedeni prema strogim standardima koje je postavila naša kompanija a koji su usklađeni sa odgovarajućim evropskim standardima kvaliteta. Električni alati naše kompanije imaju garantni rok od 24 meseca za neprofesionalnu upotrebu i 12 meseci za profesionalnu upotrebu. Garancija važi od dana kupovine proizvoda. Dokaz za pravo na garanciju je dokument o kupovini električnog alata (maloprodajni račun ili faktura). Ni pod kojim okolnostima kompanija neće pokriti relevantne troškove rezervnih delova i potrebno odgovarajuće radno vreme ako se ne predoči kopija dokumenta o kupovini. U slučaju da popravku treba da uradi naš servis, troškove transporta (do i od) u potpunosti snosi pošiljalac (klijent). Električni alati za popravku se šalju u firmu gde su kupljeni ili u ovlašćeni servis i to tako da budu prikladno upakovani za transport.

IZUZEĆA I OGRANIČENJA GARANCIJE:

- 1) Rezervni delovi koji se prirodno troše kao posledica korišćenja (četkice, kablovi, prekidači, stezne glave itd).
- 2) Alati oštećeni kao posledica nepoštovanja uputstva proizvođača.
- 3) Alati su loše održavani.
- 4) Upotreba neodgovarajućih maziva ili pribora.
- 5) Alati su dati trećim licima besplatno.
- 6) Oštećenje usled električnog priključka na napon koji nije naznačen na pločici uređaja.
- 7) Povezivanje na neuzemljeno napajanje.
- 8) Promena napona struje.
- 9) Oštećenja nastala upotrebom slane vode (npr. mašine za pranje veša, pumpe).
- 10) Oštećenje ili kvar nastao kao posledica nepravilne procedure čišćenja alata.
- 11) Kontakt alata sa hemikalijama ili oštećenje usled vlage ili korozije.
- 12) Alati koje je modifikovalo ili otvorilo neovlašćeno osoblje.
- 13) Polomljeni delovi/komponente kao rezultat neodgovarajuće upotrebe.
- 14) Alati koji se koriste za iznajmljivanje.

Garancija pokriva samo besplatnu zamenu komponente koja ima fabričku grešku ili materijalne nedostatke. U slučaju nedostatka rezervnog dela, kompanija zadržava pravo zamene električnog alata drugim odgovarajućim modelom. Nakon isteka garantnog roka, garantni rok električnog alata se ne produžava niti obnavlja. Rezervni delovi ili Električni alati koji su zamenjeni ostaju u posedu naše kompanije. Zamena rezervnog dela, zajedno sa naplatom popravke, pokrivena je garancijom za 1 godinu dobrog rada, koja podleže poštovanju uslova garancije. Zahtevi, osim onih navedenih u ovom obrascu garancije, u vezi sa popravkom električnog alata ili njegovim oštećenjem ne važe. Na ovu garanciju se primenjuju grčki zakoni i odgovarajući propisi.

Električna orodja so bila izdelana v skladu s strogimi standardi našega podjetja, ki so usklajeni z ustreznimi evropskimi standardi kakovosti. Za električna orodja našega podjetja velja 24-mesečna garancija za neprofesionalno uporabo in 12-mesečna garancija za profesionalno uporabo. Garancija velja od datuma nakupa izdelka. Dokazilo o pravici do garancije je dokument o nakupu orodja (maloprodajni račun ali račun). Podjetje v nobenem primeru ne krije ustreznih stroškov nadomestnih delov in ustreznih zahtevanih delovnih ur, če ni predložena kopija nakupnega dokumenta. Če mora popravilo opraviti naš servisni oddelek, stroške prevoza (do in nazaj) v celoti krije pošiljatelj (stranka). Orodje je treba poslati v popravilo podjetju ali pooblaščenim delavnicam na ustrezen način in z ustreznim prevoznim sredstvom.

GARANCIJSKE IZJEME IN OMEJITVE:

- 1) Rezervni deli, ki se naravno obrabijo zaradi uporabe (ščetke, kabli, stikala, vpenjalne glave itd.).
- 2) Orodja, ki so se poškodovala zaradi neupoštevanja navodil proizvajalca.
- 3) Orodja, ki so slabo vzdrževana.
- 4) Uporaba neustreznih maziv ali pripomočkov.
- 5) Orodja, ki so bila brezplačno dana tretjim osebam.
- 6) Poškodbe zaradi električnega priključka pri napetosti, ki ni navedena na ploščici naprave.
- 7) Priključitev na neozemljeno električno omrežje.
- 8) Sprememba trenutne napetosti.
- 9) Poškodbe zaradi uporabe slane vode (npr. pralni stroji, črpalke).
- 10) Poškodba ali okvara, ki je posledica nepravilnega postopka čiščenja orodja.
- 11) Stik orodja s kemikalijami ali poškodbe zaradi vlage ali korozije.
- 12) Orodje, ki ga je spremenilo ali odprlo nepooblaščen osebje.
- 13) Pokvarjeni deli/komponente zaradi neustrezne uporabe.
- 14) Orodja, ki se uporabljajo za najem.

Garancija zajema le brezplačno zamenjavo sestavnega dela, pri katerem se pokaže proizvodna napaka ali okvara materiala. V primeru pomanjkanja določenega rezervnega dela si podjetje pridržuje pravico, da orodje zamenja z drugim ustreznim modelom. Po zaključku vseh garancijskih postopkov se garancijski rok orodja ne podaljša ali obnovi. Za zamenjavo nadomestnega dela z nadomestilom za popravilo velja enoletna garancija za dobro delovanje, če so izpolnjeni garancijski pogoji. Zamenjani nadomestni deli ali orodje ostanejo v lasti našega podjetja. Zahtevе, ki niso navedene v tem garancijskem obrazcu, v zvezi s popravilom električnih orodij ali njihovih poškodb, ne veljajo. Za to garancijo velja grška zakonodaja in sorodni predpisi.

Električne naprave so izdelane v skladu s strogimi standardi našega podjetja, ki so usklajeni z ustreznimi evropskimi standardi kakovosti. Za električne naprave našega podjetja velja 24-mesečna garancija za neprofesionalno uporabo in 12-mesečna garancija za profesionalno uporabo. Garancija velja od datuma nakupa izdelka. Dokazilo o nárroku na záruku je doklad o kúpe náradia (malooobchodný doklad alebo faktúra). Spoločnosť v žiadnom prípade neuhradí príslušné náklady na náhradné diely a príslušné požadované pracovné hodiny, ak nie je predložená kópia dokladu o kúpe. V prípade, že opravu musí vykonať naše servisné oddelenie, náklady na dopravu (tam a späť) znáša v plnej miere odosielateľ (zákazník). Náradie musí byť zaslané na opravu do spoločnosti alebo do autorizovaného servisu vhodným spôsobom a dopravným prostriedkom.

VÝNIMKY A OBMEDZENIA TÝKAJÚCE SA ZÁRUKY:

- 1) Náhradné diely, ktoré sa prirodzene opotrebnú v dôsledku použitia (kefky, káble, spínače, skľučovadlá atď.).
- 2) Náradie poškodené v dôsledku nedodržania pokynov výrobcu.
- 3) Náradie nedostatočne udržiavané.
- 4) Použitie nevhodných mazív alebo príslušenstva.
- 5) Náradie poskytnuté tretím subjektom bezplatne.
- 6) Poškodenie v dôsledku električného pripojenia na iné napätie, ako je uvedené na štítku spotrebiča.
- 7) Pripojenie k neuzemnenému zdroju napájania.
- 8) Zmena aktuálneho napätia.
- 9) Poškodenie v dôsledku používania slanej vody (napr. práčky, čerpadlá).
- 10) Poškodenie alebo porucha vyplývajúca z nesprávneho postupu čistenia nástroja.
- 11) Kontakt nástroja s chemikáliami alebo poškodenie v dôsledku vlhkosti alebo korózie.
- 12) Nástroje, ktoré boli upravené alebo otvorené neoprávněným personálom.
- 13) Poškodené diely/komponenty v dôsledku nevhodného používania.
- 14) Náradie používané na prenájom.

Záruka sa vzťahuje len na bezplatnú výmenu súčiastky, ktorá vykazuje výrobnú vadu alebo poruchu materiálu. V prípade nedostatku konkrétneho náhradného dielu si spoločnosť vyhradzuje právo vymeniť náradie za iný zodpovedajúci model. Po ukončení všetkých záručných postupov sa záručná doba náradia nepredlžuje ani neobnovuje. Na výmenu náhradného dielu s poplatkom za opravu sa vzťahuje 1-ročná záruka na dobrú prevádzku pri dodržaní záručných podmienok. Vymenené náhradné diely alebo náradie zostávajú vo vlastníctve našej spoločnosti. Iné požiadavky, ako sú uvedené v tomto záručnom formulári, týkajúce sa opravy električného náradia alebo jeho poškodenia, sa neuplatňujú. Na túto záruku sa vzťahujú grécke zákony a príslušné predpisy.

Електроинструментите са произведени в съответствие със строги стандарти, установени од нашата компанија, кои то са в съответствие със съответните европејски стандарти за квалитет. Електроинструментите на нашата компанија се предоставяат с гаранционен срок од 24 месеца за непрофесионална употреба и 12 месеца за професионална употреба. Гаранцијата е валидна од датата на закупување на продукта. Доказателство за правото на гаранција е документът за закупување на инструментата (касова бележка од магазин или фактура). В никаков случај компанијата не покрива съответните разходи за резервни части и съответните неопходими работни часови, ако не биде представено копие од документата за поупка. В случај че ремонтът треба да биде извршен од нашия сервисен одел, разходите за транспорт (до и од) се поемат изцяло од испраќача (клиента). Инструментите треба да бидат испратени за ремонт в компанијата или в оторизиран сервис по подходящ начин и с подходящо транспортно средство.

ОСВОБОЖДАВАНЕ ОТ ГАРАНЦИЯ И ОГРАНИЧЕНИЯ:

- 1) Резервни части, кои то се изнасоват по естествен начин вследствие на използването им (четки, кабли, ключове, патронници и др.).
- 2) Инструменти, повредени в резултат на неспазване на инструкциите на производителата.
- 3) Инструменти, кои то са лошо поддржани.
- 4) Използване на неподходящи смазочни материали или принадлежности.
- 5) Инструменти, предоставени бесплатно на трети лица.
- 6) Повреди вследствие на електрическа връзка с напрежение, различно од посоченото на табелката на уреда.
- 7) Свързване към незаземено електрозахранване.
- 8) Промяна в напрежението на тока.
- 9) Повреда в резултат на използването на солена вода (напр. перални машини, помпи).
- 10) Повреда или неизправност в резултат на неправилна процедура за почистване на инструментата.
- 11) Контакт на инструментата с хемикали или повреда в резултат на влага или корозия.
- 12) Инструменти, кои то са били модифицирани или отворени од неупълномошен персонал.
- 13) Счупени части/компоненти в резултат на неподходяща употреба.
- 14) Инструменти, използвани под наем.

Гаранцијата покрива само бесплатната подмяна на компонентата, кој то предствая производствен дефект или повреда на материалата. В случај на липса на конкретна резервна част компанијата си запазва правото да замени инструментата с друг съответен модел. След приклучване на всички гаранционни процедури гаранционниот срок на инструментата не се удължава или подновява. Замяната на резервна част с такса за ремонт се покрива од 1-годишна гаранција за добра експлоатација, при спазване на гаранционните условия. Заменените резервни части или инструменти остават във владение на нашата компанија. Изисквания, различни од посочените в този гаранционен формулар, односно ремонта на електроинструменти или повредите по тях, не се прилагат. Гръчкото законодавство и съответните распоредби се прилагат към тази гаранција.

Електрични алатки се произведени според строги стандарди, поставени од нашата компанија, кои се усогласени со соодветните европски стандарди за квалитет. Електрични алатки на нашата компанија се обезбедени со гаранција од 24 месеци за непрофесионална употреба и 12 месеци за професионална употреба. Гаранцијата важи од датумот на купување на производот. Доказ за гаранциското право е документот за купување на алатката (малопродажна потврда или фактура). Под никакви околности компанијата нема да ги покрие соодветните трошоци за резервни делови и соодветно потребно работно време, освен ако не се претстави копија од документот за купување. Во случај поправката да мора да биде направена од нашиот сервисен одел трошоците за превоз (до и од) е целосно задолжена од испраќачот (клиентот). Алатките мора да бидат испратени за поправка на компанијата или на овластена работилница на соодветен начин и транспортни средства.

ОСЛОБОДУВАЊА И ОГРАНИЧУВАЊА НА ГАРАНЦИЈАТА:

- 1) Резервни делови кои се носат природно како последица на користење (четки, кабли, прекинувачи, футери итн.).
- 2) Алатки оштетени како резултат на непочитување на инструкциите на производителот.
- 3) Алатките слабо се одржуват.
- 4) Употреба на неправилно лубриканти или додатоци.
- 5) Алатки дадени на трети ентитети бесплатно.
- 6) Оштетување поради електрично поврзување на напоен поинаку од оној што е наведен на плочата на апаратот.
- 7) Поврзување со неземан напој.
- 8) Промена на напојот на струјата.
- 9) Оштетување како резултат на употребата на солена вода (на пример, машини за перење, пумпи).
- 10) Оштетување или нефункционирање како резултат на неправилно чистење на алатката.
- 11) Контакт на алатката со хемикали, или оштетување како резултат на влага или корозиија.
- 12) Алатки кои бие модифицирани или отворени од страна на неовластениот персонал.
- 13) Скршени делови/компоненти како резултат на несоодветна употреба.
- 14) Алатки кои се користат за изнајмување.

Гаранцијата покрива само бесплатна замена на компонентата која претставува производствен дефект или материјален неуспех. Во случај на недостаток на одреден резервен дел, компанијата го задржува правото да ја замени алатката со друг соодветен модел. По завршувањето на сите процедури за гаранција, гарантниот период од алатката не се продолжува или обновува. Замената на резервниот дел со наплата за поправка е покривена со 1 година гаранција за добро работење, под услов да се усогласат условите за гаранција. Резервните делови или алатки кои се заменети остануваат во сопственост на нашата компанија. Барањата, освен оние споменати во оваа гаранција, во врска со поправката или оштетувањето на електрични алатки, не важат. Грчкото право и релативните регулативи важат за оваа гаранција.

RO

Uneltele electrice au fost fabricate în conformitate cu standarde stricte, stabilite de compania noastră, care sunt aliniate la standardele de calitate europene respective. Uneltele electrice ale companiei noastre sunt prevăzute cu o perioadă de garanție de 24 de luni pentru utilizare neprofesională și 12 luni pentru utilizare profesională. Garanția este valabilă de la data achiziționării produsului. Dovada dreptului de garanție este documentul de achiziție a sculei (bon de casă sau factură). În niciun caz societatea nu va acoperi costurile relevante ale pieselor de schimb și ale orelor de lucru necesare respective dacă nu este prezentată o copie a documentului de achiziție. În cazul în care reparația trebuie efectuată de către departamentul nostru de service, costul transportului (dus-întors) este suportat în întregime de către expeditor (client). Unelte trebuie trimise pentru reparații la companie sau la un atelier autorizat în mod și cu mijloace de transport adecvate.

SCUTIRI ȘI RESTRICȚII DE GARANȚIE:

- 1) Piesele de schimb care se uzează în mod natural ca urmare a utilizării (perii, cabluri, întrerupătoare, mandrine etc.).
- 2) Unelte deteriorate ca urmare a nerespectării instrucțiunilor producătorului.
- 3) Unelte prost întreținute.
- 4) Utilizarea de lubrifianti sau accesorii necorespunzătoare.
- 5) Unelte oferite gratuit unor terțe entități.
- 6) Deteriorări datorate unei conexiuni electrice la o altă tensiune decât cea indicată pe plăcuța aparatului.
- 7) Conectarea la o sursă de alimentare electrică nelegată la pământ.
- 8) Schimbarea tensiunii de curent.
- 9) Deteriorări rezultate din utilizarea apei sărate (de exemplu, mașini de spălat, pompe).
- 10) Deteriorări sau defecțiuni rezultate în urma unei proceduri de curățare necorespunzătoare a aparatului.
- 11) Contactul sculei cu substanțe chimice sau deteriorări ca urmare a umidității sau coroziunii.
- 12) Unelte care au fost modificate sau deschise de către personal neautorizat.
- 13) Piese/componente rupte ca urmare a unei utilizări necorespunzătoare.
- 14) Unelte utilizate pentru închiriere.

Garanția acoperă numai înlocuirea gratuită a componentei care prezintă un defect de fabricație sau o defecțiune materială. În cazul lipsei unei piese de schimb specifice, societatea își rezervă dreptul de a înlocui scula cu un alt model corespunzător. După încheierea tuturor procedurilor de garanție, perioada de garanție a sculei nu se prelungește sau se reînnoiește. Înlocuirea unei piese de schimb cu taxă de reparație este acoperită de o garanție de 1 an de bună funcționare, sub rezerva respectării condițiilor de garanție. Piesele de schimb sau sculele înlocuite rămân în posesia societății noastre. Nu se aplică cerințe, altele decât cele menționate în acest formular de garanție, privind repararea sculelor electrice sau deteriorarea acestora. Legea greacă și reglementările aferente se aplică acestei garanții.

HU

Az elektromos szerszámok gyártása a vállalatunk által meghatározott szigorú szabványok szerint történik, amelyek összhangban vannak a vonatkozó európai minőségi szabványokkal. Cégünk elektromos szerszámaira nem professzionális használat esetén 24 hónap, professzionális használat esetén 12 hónap garanciát vállalunk. A garancia a termék megvásárlásának napjától érvényes. A jótállási jog igazolása a szerszám vásárlását igazoló dokumentum (kiskereskedelmi blokk vagy számla). A vállalat semmilyen körülmények között nem fedezi a pótalkatrészek és a megfelelő szükséges munkaórák vonatkozó költségeit, ha nem mutatják be a vásárlási dokumentum másolatát. Amennyiben a javítást szervizünknek kell elvégeznie, a szállítás (oda- és visszaszállítás) költségei teljes egészében a feladót (ügyfel) terhelik. A szerszámokat javításra a megfelelő módon és szállítószerkezettel kell elküldeni a vállalathoz vagy egy erre felhatalmazott műhelybe.

GARANCIÁLIS MENTESSÉGEK ÉS KORLÁTOZÁSOK:

- 1) A használat következtében természetes módon elhasználódó pótalkatrészek (kefék, kábelek, kapcsolók, tokmányok stb.).
- 2) A gyártó utasításainak be nem tartása következtében sérült szerszámok.
- 3) Rosszul karbantartott szerszámok.
- 4) Nem megfelelő kenőanyagok vagy tartozékok használata.
- 5) Harmadik személyeknek ingyenesen átadott szerszámok.
- 6) A készüléktáblán feltüntetettől eltérő feszültségű elektromos csatlakozásból eredő károk.
- 7) Nem földelt áramforráshoz való csatlakoztatás.
- 8) Az áram feszültségének megváltozása.
- 9) Sós víz használatából eredő károk (pl. mosógépek, szivattyúk).
- 10) A készülék nem megfelelő tisztítási eljárásából eredő károsodás vagy meghibásodás.
- 11) A szerszám vegyi anyagokkal való érintkezése, vagy nedvességből vagy korrózióból eredő károsodás.
- 12) Olyan szerszámok, amelyeket illetéktelen személyek módosítottak vagy nyitottak fel.
- 13) A nem rendeltetésszerű használat következtében eltört alkatrészek/komponensek.
- 14) Bérbeadásra használt szerszámok.

A garancia csak a gyártási hibát vagy anyaghibát mutató alkatrész ingyenes cseréjére terjed ki. Egy adott pótalkatrész hiánya esetén a vállalat fenntartja a jogot, hogy a szerszámot egy másik megfelelő modellre cserélje. Az összes garanciális eljárás lezárását követően a szerszám garanciális ideje nem hosszabbítható meg és nem újítható meg. A javítási díjjal terhelt pótalkatrész cseréjére 1 év jótállás vonatkozik, a jótállási feltételek betartása mellett. A kiskereszt pótalkatrészek vagy szerszámok cégünk tulajdonában maradnak. Az elektromos szerszámok javítására vagy sérülésére vonatkozó, a jelen jótállási nyilatkozatban említettéktől eltérő követelmények nem érvényesek. A jelen jótállásra a görög törvények és a vonatkozó előírások vonatkoznak.

MT

L-ghodod tal-enerġija ġew manifatturati skont standards stretti, stabbiliti mill-kumpanija tagħna, li huma allinjati mal-istandards ta' kwalità Ewropej rispettivi. L-ghodod tal-enerġija tal-kumpanija tagħna huma pprovduti b'perjodu ta' 'garanzija ta' 24 xahar għal użu mhux professjonali u 12-il xahar għal użu professjonali. Il-garanzija hija valida mid-data tax-xiri tal-prodott. Prova tad-dritt tal-garanzija hija d-dokument tax-xiri tal-ġhodka (irċevuta jew fattura bl-imnut). Taht l-ebda ċirkostanza l-kumpanija m'għandha tkopri l-ispiża rilevanti tal-ispare parts u s-siġhat tax-xogħol rispettivi meħtieġa sakemm ma tiġix ipprezentata kopja tad-dokument tax-xiri. F'każ li t-tiswija trid issir mid-dipartiment tas-servizz tagħna, l-ispiża tat-trasport (lejn u minn) tithallas kollha kemm hi mill-mittent (klijent). L-ġhodka għandha tintbagħat għat-tiswija lill-kumpanija jew lil hanut tax-xogħol awtorizzat bil-mod u l-mezzi tat-trasport xierqa.

EŻENZIONJIET U RESTRIZZJONIJET TA' GARANZIJA:

- 1) Spare parts li jilbsu b'mod naturali bħala konsegwenza tal-użu (xkupilji, kejbils, swiċċijiet, ċokkijiet eċċ.).
- 2) Ghodod bil-ħsara bħala riżultat ta' nuqqas ta' konformità mal-istruzzjonijiet tal-manifattur.
- 3) Ghodod miżmuma hażin.
- 4) Użu ta' 'lubrikanti jew aċċessorji mhux xierqa.
- 5) Ghodod mogħtija lil entitajiet terzi mingħajr hlas.
- 6) Danni dovuti għal konnessjoni elettrika b'vultaġġ differenti minn dak indikat fuq il-pjanċa tal-apparat.
- 7) Konnessjoni ma' provvista ta' enerġija mhux ertjata.
- 8) Bidla fil-vultaġġ kurrenti.
- 9) Ħsara li tirriżulta mill-użu ta' ilma mielaħ (eż., magni tal-ħasil tal-hwejjeġ, pompi).
- 10) Ħsara jew ħsara li tirriżulta minn proċedura ta' tindif mhux xierqa tal-ġhodka.
- 11) Kuntatt ta' l-ġhodka ma' kimiċi, jew ħsara bħala riżultat ta' umdiċi jew korrużjoni.
- 12) Ghodod li ġew modifikati jew miftuħa minn persunal mhux awtorizzat.
- 13) Partijiet/komponenti miksura bħala riżultat ta' użu mhux xieraq.
- 14) Ghodod użati għall-kerja.

Il-garanzija tkopri biss is-sostituzzjoni mingħajr hlas tal-komponent li jippreżenta difett fil-manifattura jew ħsara materjali. F'każ ta' nuqqas ta' spare part specifika, il-kumpanija tirrizerwa d-dritt li tissostitwixxi l-ġhodka b'modell korrispondenti ieħor. Wara li jkun ġew konkluzi l-proċeduri kollha ta' garanzija, il-perjodu ta' garanzija tal-ġhodka ma għandux jiġi estiż jew imġedded. Is-sostituzzjoni ta' spare part bil-ħlas tat-tiswija hija koperta minn garanzija ta' sena ta' operazzjoni tajba, soġġett għall-konformità mat-termini tal-garanzija. L-ispare parts jew ġhodka li jiġu sostitwiti jibqgħu fil-pussess tal-kumpanija tagħna. Rekwiziti, minbarra dawk imsemmija f'din il-formola ta' garanzija, rigward it-tiswija ta' ġhodka tal-enerġija jew ħsara tagħhom, ma japplikawx. Il-liġi Griega u r-regolamenti relattivi japplikaw għal din il-garanzija.

HR

Elektriċni alati proizvedeni su prema strogim standardima, koje je postavila naša tvrtka i usklađeni su s odgovarajućim europskim standardima kvalitete. Elektriċni alati naše tvrtke dolaze s jamstvom od 24 mjeseca za neprofesionalnu uporabu i 12 mjeseci za profesionalnu uporabu. Jamstvo vrijedi od dana kupnje proizvoda. Dokaz o jamstvenom pravu je dokument o nabavi alata (potvrda o prodaji ili faktura). Tvrtka ni pod kojim uvjetima neće pokriti troškove rezervnih dijelova i potrebnih radnih sati ako kopija dokumenta o nabavi nije predočena. Ako popravak treba obaviti naša postprodajna služba, troškovi prijave (povratno putovanje) u potpunosti su odgovornost pošiljatelja (kupca). Alati se moraju poslati na popravak tvrtki ili ovlaštenoj radionici na odgovarajući način i odgovarajućim prijevoznim sredstvima.

IZUZEĆA I OGRANIČENJA JAMSTVA:

- 1) Rezervni dijelovi koji se prirodno istroše nakon uporabe (metla, kabeli, prekidači, stezne glave itd.).
- 2) Alati oštećeni kao rezultat nepoštivanja uputa proizvođača.
- 3) Loše održavani alati.
- 4) Upotreba nepravilnih maziva ili pribora.
- 5) Alati koji se besplatno daju trećim stranama.
- 6) Oštećenja zbog nepravilnog električnog priključka ili napona različitog od onog navedenog na pločici uređaja.
- 7) Priključak na nezemaljsko napajanje.
- 8) Neprihvatljiva fluktuacija napona.
- 9) Oštećenja nastala uporabom slane vode (npr. perilice rublja, pumpe).
- 10) Oštećenja ili kvarovi koji su posljedica nepravilnog postupka čišćenja uređaja.
- 11) Kontakt alata s kemikalijama ili oštećenja nastala vlagom ili korozijom.
- 12) Alati koje je modificiralo ili otvorilo neovlašteno osoblje.
- 13) Slomljeni dijelovi/komponente kao rezultat neprikladne uporabe.
- 14) Alati koji se koriste za iznajmljivanje.

Jamstvo pokriva samo besplatnu zamjenu komponente koja ima proizvodni nedostatak ili kvar hardvera. U slučaju da nedostaje određeni rezervni dio, tvrtka zadržava pravo zamijeniti alat drugim odgovarajućim modelom. Nakon završetka svih jamstvenih postupaka, jamstveni rok alata neće se produžiti ili obnoviti. Zamjena rezervnog dijela, kao i troškovi popravka, pokriveni su jednogodišnjim jamstvom na dobro funkcioniranje, uz poštivanje jamstvenih uvjeta. Rezervni dijelovi ili zamijenjeni alati ostaju u posjedu naše tvrtke. Zahtjevi, osim onih navedenih u ovom jamstvenom obrascu, koji se odnose na popravak električnih alata ili njihovo oštećenje, ne primjenjuju se. Grčko pravo i njegovi propisi primjenjuju se na ovo jamstvo.

ES

Las herramientas eléctricas han sido fabricadas de acuerdo con estrictas normas, establecidas por nuestra empresa, que están alineadas con las respectivas normas de calidad europeas. Las herramientas eléctricas de nuestra empresa tienen un período de garantía de 24 meses para uso no profesional y de 12 meses para uso profesional. La garantía es válida a partir de la fecha de compra del producto. La prueba del derecho de garantía es el documento de compra de la herramienta (ticket de compra o factura). La empresa no se hará cargo en ningún caso del coste de las piezas de recambio y de las respectivas horas de trabajo necesarias si no se presenta una copia del documento de compra. En caso de que la reparación tenga que ser realizada por nuestro departamento de servicio, el coste del transporte (ida y vuelta) correrá íntegramente a cargo del remitente (cliente). Las herramientas deberán ser enviadas para su reparación a la empresa o a un taller autorizado en la forma y medio de transporte adecuados.

EXENCIONES Y RESTRICCIONES DE LA GARANTÍA:

- 1) Piezas de recambio que se desgastan de forma natural como consecuencia de su uso (escobillas, cables, interruptores, mandriles, etc.).
- 2) Herramientas dañadas como consecuencia del incumplimiento de las instrucciones del fabricante.
- 3) Herramientas mal mantenidas.
- 4) Utilización de lubricantes o accesorios inadecuados.
- 5) Herramientas cedidas gratuitamente a terceros.
- 6) Daños debidos a una conexión eléctrica a una tensión distinta de la indicada en la placa del aparato.
- 7) Conexión a una fuente de alimentación no puesta a tierra.
- 8) Cambio de la tensión de corriente.
- 9) Daños debidos al uso de agua salada (por ejemplo, lavadoras, bombas).
- 10) Daños o mal funcionamiento resultantes de un procedimiento de limpieza inadecuado de la herramienta.
- 11) Contacto de la herramienta con productos químicos, o daños como consecuencia de la humedad o la corrosión.
- 12) Herramientas que hayan sido modificadas o abiertas por personal no autorizado.
- 13) Piezas/componentes rotos como consecuencia de un uso inadecuado.
- 14) Herramientas utilizadas en alquiler.

La garantía cubre únicamente la sustitución gratuita del componente que presente un defecto de fabricación o fallo de material. En caso de falta de un repuesto específico, la empresa se reserva el derecho de sustituir la herramienta por otro modelo correspondiente. Una vez concluidos todos los procedimientos de garantía, el período de garantía de la herramienta no se ampliará ni renovará. La sustitución de una pieza de recambio con cargo de reparación está cubierta por una garantía de 1 año de buen funcionamiento, siempre que se cumplan las condiciones de la garantía. Las piezas de recambio o herramientas sustituidas permanecen en posesión de nuestra empresa. No se aplican otros requisitos, distintos de los mencionados en este formulario de garantía, en relación con la reparación de herramientas eléctricas o sus daños. La ley griega y las normativas relativas se aplican a esta garantía.

PL

Elektronarzędzia zostały wyprodukowane zgodnie z rygorystycznymi normami ustalonymi przez naszą firmę, które są zgodne z odpowiednimi europejskimi normami jakości. Elektronarzędzia naszej firmy są objęte 24-miesięcznym okresem gwarancyjnym dla użytku nieprofesjonalnego i 12-miesięcznym dla użytku profesjonalnego. Gwarancja jest ważna od daty zakupu produktu. Dowodem prawa do gwarancji jest dokument zakupu narzędzia (paragon lub faktura). W żadnym wypadku firma nie pokryje odpowiednich kosztów części zamiennych i wymaganych godzin pracy, jeśli nie zostanie przedstawiona kopia dokumentu zakupu. W przypadku, gdy naprawa musi zostać wykonana przez nasz dział serwisowy, koszt transportu (do i z) jest w całości ponoszony przez nadawcę (klienta). Narzędzia muszą zostać wysłane do naprawy do firmy lub autoryzowanego warsztatu w odpowiedni sposób i środkami transportu.

WYŁĄCZENIA I OGRANICZENIA GWARANCJI:

- 1) Części zamienne, które zużywają się w sposób naturalny w wyniku użytkowania (szczotki, kable, przelączniki, uchwyty itp.)
- 2) Narzędzia uszkodzone w wyniku nieprzestrzegania instrukcji producenta.
- 3) Narzędzia źle konserwowane.
- 4) Używanie niewłaściwych smarów lub akcesoriów.
- 5) Narzędzia przekazane nieodpłatnie osobom trzecim.
- 6) Uszkodzenia spowodowane podłączeniem elektrycznym o napięciu innym niż wskazane na tabliczce znamionowej urządzenia.
- 7) Podłączenie do nieuziemionego źródła zasilania.
- 8) Zmiana napięcia prądu.
- 9) Uszkodzenia wynikające z używania słonej wody (np. pralki, pompy).
- 10) Uszkodzenia lub nieprawidłowe działanie wynikające z niewłaściwego czyszczenia urządzenia.
- 11) Kontakt narzędzia z chemikaliami lub uszkodzenie w wyniku wilgoci lub korozji.
- 12) Narzędzia, które zostały zmodyfikowane lub otwarte przez nieupoważniony personel.
- 13) Uszkodzone części/elementy w wyniku niewłaściwego użytkowania.
- 14) Narzędzia używane do wynajmu.

Gwarancja obejmuje wyłącznie bezpłatną wymianę komponentu, który wykazuje wadę produkcyjną lub awarię materiałową. W przypadku braku określonej części zamiennej firma zastrzega sobie prawo do wymiany narzędzia na inny odpowiedni model. Po zakończeniu wszystkich procedur gwarancyjnych okres gwarancji na narzędzie nie zostanie przedłużony ani odnowiony. Wymiana części zamiennej za opłatą za naprawę jest objęta roczną gwarancją dobrego działania, pod warunkiem przestrzegania warunków gwarancji. Wymienione części zamienne lub narzędzia pozostają w posiadaniu naszej firmy. Wymagania inne niż wymienione w niniejszym formularzu gwarancyjnym, dotyczące naprawy lub uszkodzenia elektronarzędzi, nie mają zastosowania. Do niniejszej gwarancji mają zastosowanie przepisy prawa greckiego i przepisy pokrewne.



The instruction manual is also available in digital format on our website www.nikolaoutools.com. Find it by entering the product code in the **Search** "Q" field.

Μπορείτε να βρείτε τις οδηγίες χρήσης και σε ηλεκτρονική μορφή μέσω της ιστοσελίδας μας www.nikolaoutools.com. Αναζητήστε τις με τον κωδικό προϊόντος στο πεδίο **Αναζήτηση** "Q".